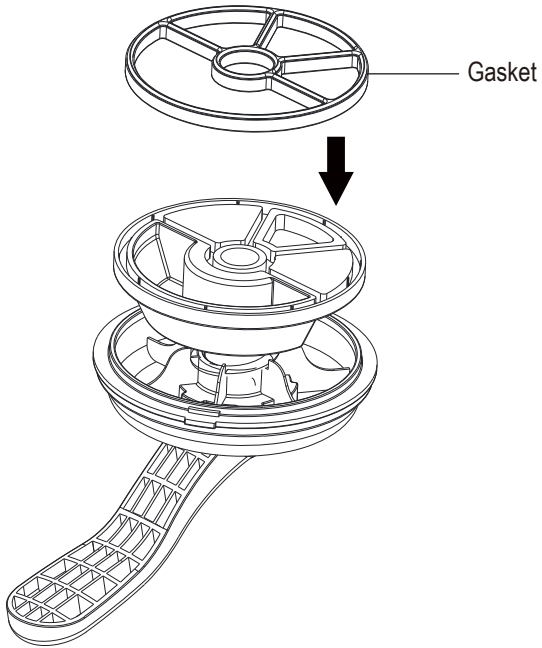
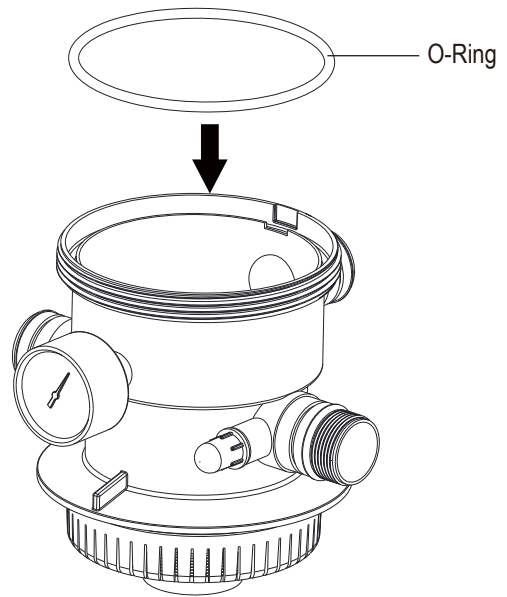


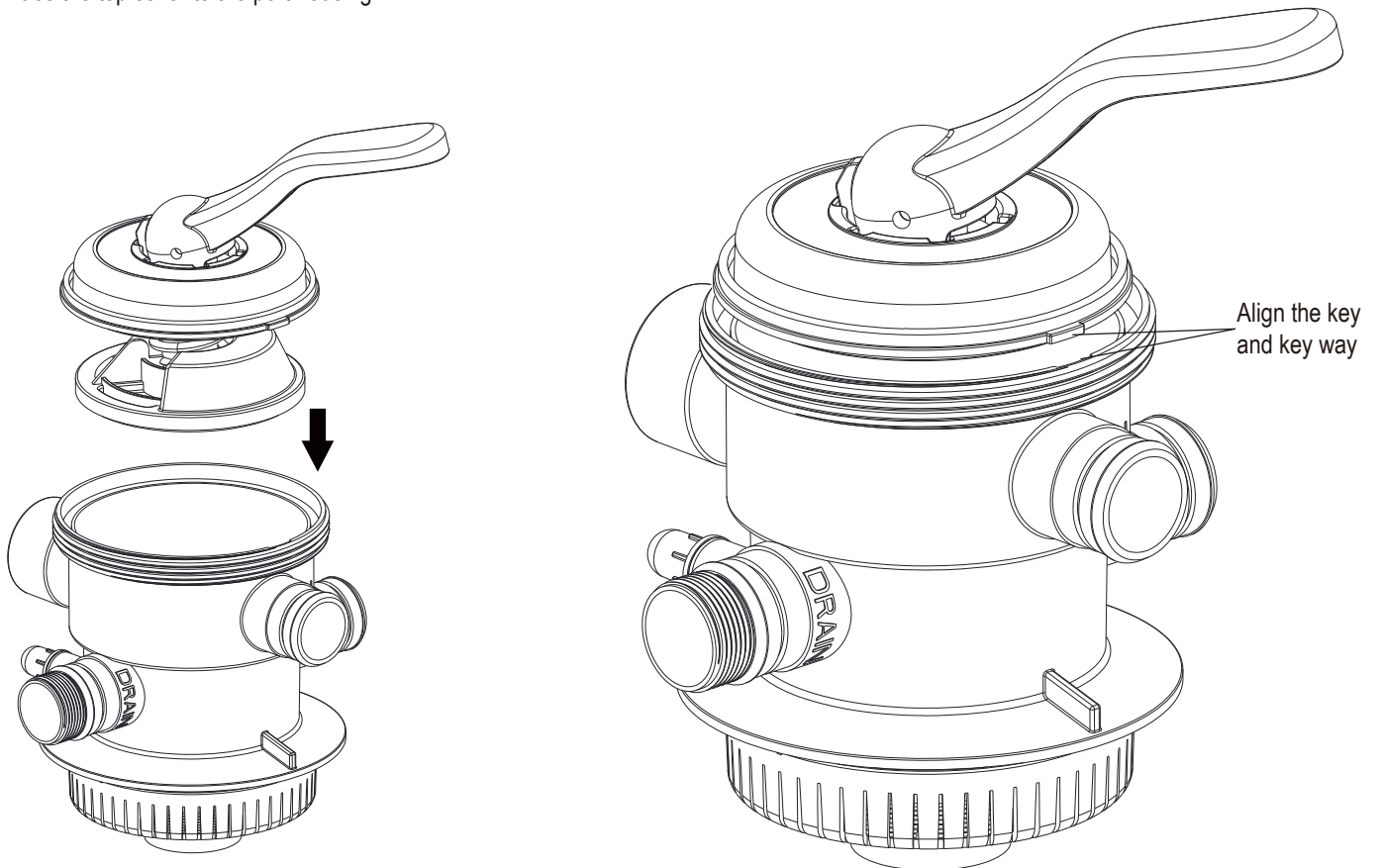
1. Make sure the gasket is in place.



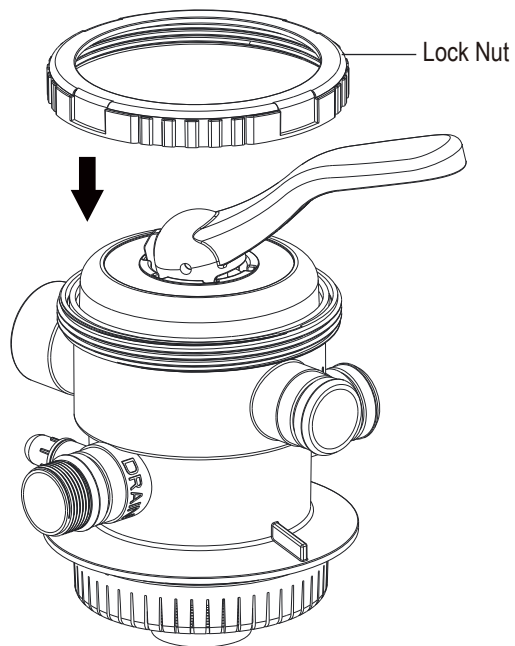
2. Make sure the top cover O-Ring is in place.



3. Place the top cover to the port housing.



4. Place the lock nut over the port housing.



5. Tighten the lock nut making sure it is not cross threaded.

