

SUMMER WAVES® METAL FRAME POOL

FOR ABOVE GROUND SWIMMING POOLS

8'-24' (2.44m-7.32m) models



READ AND KEEP THESE INSTRUCTIONS FOR FUTURE REFERENCE

For any set up and troubleshooting issues, please visit

<https://polygroup.zendesk.com/hc/en-us> Customer Service: (888)919-0070

DO NOT RETURN PRODUCT TO STORE

To order parts and accessories,
please visit www.polygroupstore.com

Should you encounter a problem with your Polygroup® Product, please do not return the product to the place of purchase. All Warranty claims must be made directly to Polygroup®. Prior to contacting Customer Service, please first review the Troubleshooting Guide in the Installation Manual, or review the FAQ at www.Polygroup.com. Please review setup instruction videos on www.Polygroup.com/video. If you are still unable to correct the problem, please contact Polygroup® customer service at (888) 919-0070. Have the product type and your purchase receipt ready. Our Customer Service Representative will assist you in resolving the problem. You may be asked to return all or part of the product for inspection and/or repair. Do not return any product to Polygroup® without a Return Authorization number.

LIMITED WARRANTY

Polygroup® Limited (Macao Commercial Offshore), (hereinafter "Polygroup®") warrants to the original purchaser only, the Metal Frame Pool against defects in material and workmanship for 90 days from the date of purchase. Original Purchaser must retain proof of such purchase in the form of an original store sales receipt and must produce such upon request by Polygroup® or its designated agents. Warranty claims cannot be processed without a valid proof of purchase. This Limited Warranty applies only to the original purchaser of the product and is limited solely to the repair or replacement of the product, to be decided in Polygroup®'s sole discretion. Consequential damages, including claims for loss of water, pool chemicals, damage, or labor are not covered under this Limited Warranty.

This Warranty will be declared invalid should the Purchaser modify or repair the product themselves or by unauthorized persons; use non-Polygroup® parts or accessories with the product; use the product in contravention of the manufacturer's Instructions; use improper voltage; abuse the product in any way; or through accident or negligence. Normal wear-and-tear is not covered under this Warranty, nor are acts of God outside the control of Polygroup®.

IN NO EVENT SHALL Polygroup®, THEIR AUTHORIZED AGENTS, RELATED ENTITIES, OR EMPLOYEES BE LIABLE TO THE BUYER OR ANY OTHER PARTY FOR DIRECT OR CONSEQUENTIAL DAMAGES. Some states or countries, or others jurisdictions do not allow the exclusion or limitation of incidental or consequential damages, so the above limitation or exclusion may not apply to you.

TABLE OF CONTENTS

Warnings	3 ~ 7
Parts List	8
Setup Instructions	9 ~ 10
Pool Maintenance & Draining	11
Pool Storage & Winterizing	12
Pool Safety Sign	12
Pool Cover Safety.....	13

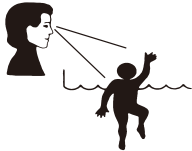
IMPORTANT SAFETY INSTRUCTIONS

When installing and using this electrical equipment, basic safety precautions should always be followed, including the following:

READ AND FOLLOW ALL INFORMATION AND INSTRUCTIONS

Keep for Future Reference. Failure to follow these warnings and instructions can result in serious injury or death to users, especially children.

WARNING



DANGER

PREVENT DROWNING!

CLOSELY WATCH CHILDREN WHO ARE IN OR NEAR THIS POOL. CHILDREN UNDER 5 ARE AT HIGHEST RISK FOR DROWNING. EMPTY POOL OR PREVENT ACCESS WHEN NOT IN USE.

NO DIVING!

SHALLOW WATER YOU CAN BREAK YOUR NECK AND BE PARALYZED.

WARNING

DO NOT SIT ON OR LAY OVER POOL WALL
YOU CAN BE PERMANENTLY INJURED.

AVOID ENTRAPMENT!
STAY AWAY FROM DRAINS & SUCTION FITTINGS. YOUR HAIR, BODY & JEWELRY CAN GET SUCKED INTO DRAIN. YOU COULD BE HELD UNDER WATER & DROWN. DO NOT USE POOL IF DRAIN OR SUCTION OUTLET COVER IS MISSING OR BROKEN.



- Set up the pool only on **LEVEL, STABLE, and COMPACT** soil.
- **DO NOT** set up the pool on sand surface.
- **DO NOT** use sand to level the ground.
- Sand can be washed out, causing the pool to **DEFORM** and **COLLAPSE**. Failure to comply may result in **PERSONAL INJURY**.
- Excessive sand inside the pool will **DAMAGE** the pool liner and filtration system. Failure to follow these instructions will void the warranty.

NOTICE: CUSTOMERS THAT PURCHASE POOLS MAY BE REQUIRED BY LOCAL OR STATE LAW TO INCUR ADDITIONAL EXPENSES WHEN INSTALLING A POOL, IN ORDER TO COMPLY WITH STATE OR LOCAL LAWS REGARDING FENCING AND OTHER SAFETY REQUIREMENTS. CUSTOMERS SHOULD CONTACT THEIR LOCAL BUILDING CODE ENFORCEMENT OFFICE FOR FURTHER DETAILS.

Safety Care for Children

Drowning Risk:

1. Assign an adult to be responsible for watching children in the pool. Give this person a "water watcher" tag and ask that they wear it the entire time they are in charge of supervising children in the pool. If they need to leave for any reason, ask this person to pass the "water watcher" tag and the supervision responsibility to another adult. **For replacement of the water watcher tag, Please please visit www.polygroupstore.com**
2. Pool presents a drowning hazard even during filling and draining of the pool. Maintain constant supervision of children and do not remove any safety barriers until the pool is completely empty and stowed away.
3. Children, especially children younger than five years, are at high risk of drowning. Drowning occurs silently and quickly and can occur in as little as 2 in (5 cm.) of water.
4. Keep children in your direct sight, stay close, and actively supervise them when they are in or near this pool and when you are filling and emptying this pool.
5. When searching for a missing child, check the pool first, even if child is thought to be in the house.
6. Do not leave toys inside pool when finished using, since toys and similar items might attract a child to the pool. Position furniture (for example, tables, chairs) away from pool, so that children cannot climb on it to gain access to the pool. After using pool, remove water to a level of 1/2 in. (1 cm.) or less.
7. Locate pumps and filters in such a way that children cannot climb on them and gain access to the pool.

Swimming Pool Barriers

Very Important:

1. Swimming pool barriers, which restrict access to the pool by small children, may be required by law. A barrier is necessary to provide protection against potential drowning and near drowning. Barriers are not a substitute for constant supervision of children.
2. Keep unsupervised children from accessing the pool by installing fencing or other approved barrier around all sides of pool. State or local laws or codes may require fencing or other approved barriers. Check state or local laws and codes before setting up pool.

Should you encounter any problems, contact Customer Service at (888) 919-0070 from 8 AM to 5 PM Mon. thru Fri. MST. Extended operating days and hours during peak season requirements.

3. See latest published edition of CPSC Pub. No. 362 found at www.poolsafely.gov.

Swimming Pool Equipment

1. The use of artificial pool lighting is at the discretion of the pool owner. Lighting, when installed, should be in accordance with Article 680 of the National Electrical Code (NEC) or its latest approved edition and in consultation with a licensed electrical professional.
2. Keep all electrical lines, radios, speakers, and other electrical appliances away from the pool.
3. Do not place pool near or under overhead electrical lines.
4. All electrical components installed in and/or adjacent to an aboveground/onground residential swimming pool shall be installed in accordance with and shall comply with the requirements of the latest published edition of NFPA 70, National Electrical Code (NEC®) Article 680, Swimming pools, fountains, and similar installations, and any state or local code.

Swimming Pool Awareness

Warning :

1. **ADULT ASSEMBLY REQUIRED:** Care should be taken in unpacking and assembling the pool; this pool may contain accessible potentially hazardous sharp edges, sharp points, or small parts that are a necessary part of the pool's function.
2. Do not install the pool on a slope or inclined surfaces, on soft or loose soil conditions (such as sand or mud), or on an elevated surface such as a deck, platform or balcony, which may collapse under the weight of the filled pool.
3. **TO AVOID DANGER OF SUFFOCATION:** Keep the plastic bag used in this product away from babies and children; do not use the bag in cribs, beds, carriage, or playpens. The plastic bag could block nose and mouth and prevent breathing. The plastic bag is not a toy.
4. If a drain or suction outlet cover is missing or broken, do not use the pool. Suction can cause body part entrapment, hair and jewelry entanglement, evisceration, or drowning. Repair or replace the drain or suction outlet cover before allowing the pool to be used.
5. During nighttime pool use, artificial lighting shall be used to illuminate all safety signs, ladders, steps, deck surfaces, and walks.
6. The floor of the pool shall be visible at all times from the outside perimeter of the pool.
7. Keep your pool clean and clear. The deepest part of pool must be visible at all times from the outside barrier of the pool.
8. Post a list of emergency telephone numbers such as the nearest available police, fire, ambulance, and/or rescue unit. These numbers are to be kept near the telephone, which is closest to the pool.
9. Basic lifesaving equipment, including one of the following, should be on hand at all times:
 - A light, strong, rigid pole (shepherds crook) not less than twelve feet (12') [366 cm] long.
 - A minimum one-fourth inch (1/4") [6.35 mm] diameter rope as long as one and one half (1-1/2) times the maximum width of the pool or fifty feet (50') [15.24 meters], whichever is less, which has been firmly attached to a Coast Guard-approved ring buoy having an outside diameter of approximately fifteen inches (15") [38.1 cm], or similarly approved flotation device.
10. The pool is subject to wear and deterioration. If not maintained properly, certain types of excessive or accelerated deterioration can lead to failure of the pool structure that might release large quantities of water that could cause bodily harm and property damage.
11. Never allow horseplay, diving, or jumping into or around the pool. Serious injury, paralysis, or death could result when this rule is disregarded. **DO NOT ALLOW** anyone to swim alone without supervision.
12. Pool shall be located at a minimum distance of 6ft (1.83m) from any receptacle, and all 125-volt 15- and 20-ampere receptacles located within 20ft (6.0m) of the pool shall be protected by a ground fault circuit interrupter (GFCI), where distances are by measuring the shortest path the supply cord of an appliance connected to the receptacle would follow, without piercing a floor, wall, ceiling, doorway with hinged or sliding door, window opening, or other effective permanent barrier, to the inside wall of the pool.

Circulation Systems

1. Installers shall follow written instructions regarding positioning of all equipment connected to the circulation systems.
2. The installer shall follow written instructions provided for operating the circulation system components.
3. All circulation system components and pumps that require replacement or servicing shall be installed according to the pump's instruction manual.
4. Circulation equipment shall be installed per manufacturer's instructions to provide proper mounting and support, to prevent damage from misalignment, settlement, and vibration, and to minimize the potential for the accumulation of debris and moisture. Please refer to pump's instruction manual.
5. Replacement pump should never exceed the maximum flow rate marked on the suction fitting.

Ladder

1. The ladder shall be located on a solid base, and the ladder shall be installed per the manufacturer's instructions.
2. One person on the ladder/stair at a time.
3. This ladder is designed and manufactured for a specific pool wall height and/or deck of the pool.
4. For entry/exit of pool, face the ladder at all times.
5. To prevent entrapment or drowning do not swim through, behind, or around ladder.
6. Remove and secure ladder when pool is not occupied.

Pool Cover

Pool covers used for safety barriers shall comply with the latest published edition of ASTM F-1346, Standard performance specifications for safety covers and labeling requirements for all covers for swimming pools, spas, and hot tubs.

Chemicals

For safety sake, ensure the deepest part of the pool is always visible. The user must properly maintain pool water clarity at all times. Check the pH and chlorine levels periodically, and make sure they are within the recommended limits. Additional water treatment chemicals might be needed from time to time. Have the water sample tested by a local pool supply store to determine if additional chemicals are needed. Turn on the pump for at least 6 hours daily, refer to www.zendesk.com for recommended pump operating time. Clean and replace filter cartridge frequently. Replace only with genuine Polygroup® / Summer Waves® Brand filter cartridge. Refer to the Filter Pump manual for additional water care information.

Entrapment Risk

- Entrapment Avoidance:** There shall be no protrusions or other obstruction in the swimming area, which may cause entrapment or entanglement of the user. If a suction outlet cover is missing or broken, do not use the pool. Suction can cause body part entrapment, hair and jewelry entanglement, evisceration, or drowning. Repair or replace the suction outlet cover before allowing the pool to be used.
- DANGER! TO AVOID SERIOUS INJURY OR DEATH, CLOSE THE POOL OR SPA TO BATHERS IF ANY SUCTION OUTLET COVER/GRATE IS MISSING, BROKEN, OR INOPERATIVE.**
- Never play or swim near drains or suction fittings. Your body or hair may be trapped, causing permanent injury or drowning.
- Never enter the pool or spa if a suction fitting or drain cover is loose, broken, or missing.
- Immediately notify the pool/spa owner or operator if you find a drain cover loose, broken, or missing.

Drowning Risk

- Keep unsupervised children from accessing the pool by installing fencing or other approved barrier around all sides of pool. State or local laws or codes may require fencing or other approved barriers. Check state or local laws and codes before setting up pool.
- Remove pool ladders before leaving the pool. Children as young as 2 years have climbed up ladders and into pools and drowned.
- Toys, chairs, tables, or similar objects that a young child could climb shall be at least four feet (4') [121.92 cm] from the pool. The pump filter system shall be positioned so as to prevent it from being used as a means of access to the pool by young children.

Diving Risk

- Above ground / onground residential swimming pools are for swimming and wading only. No diving boards, slides, or other equipment are to be added to an above ground / onground pool that in any way indicates that an above ground / onground pool may be used or intended for diving or sliding purposes.
- Do not dive into this pool. Diving into shallow water can result in a broken neck, paralysis, or death.

Electrocution Risk

- Keep all electrical lines, radios, speakers, and other electrical appliances away from the pool.
- Do not place pool near or under overhead electrical lines.

First Aid

- Keep a working phone and a list of emergency numbers near the pool.
- Become certified in cardiopulmonary resuscitation (CPR). In the event of an emergency, immediate use of CPR can make a lifesaving difference.

Special Warning

- Local building codes may require obtaining a building or electrical permit. Installer shall follow regulations on setback, barriers, devices, and other conditions.
- Safety signs shall comply with requirements of ANSI-Z535 and use signal wording.
- DO NOT** attempt to assemble this pool in adverse weather conditions, windy conditions, or when the temperature is below 60°F.
- This is a storable pool, which should be disassembled and stored when temperatures are expected to fall below 32°F.
- The installer shall ensure that all pools and their related components that are installed in an indoor environment shall comply with the ventilation requirements of ANSI/ASHRAE 62 or the latest published edition of Ventilation for acceptable indoor air quality, Table 2, Article 2.1.
- The placement of the pool and portable pools shall be set up so that they comply with local safety and building codes.
- WARNING!** Competent supervision and knowledge of the safety requirements are the only way to prevent drowning or permanent injury in the use of this product! Never leave your children unattended.

Pool Maintenance

- Empty pool completely after each use, and store the empty pool in such a way that it does not collect water from rain or any other source.
- After using pool, remove water to a level of 1/2in. (1cm) or less.

Extra Safety Warning

- Teach your children to swim.
- Never dive, jump, or slide into the pool.
- Adult supervision is always required.
- Parents should learn CPR.
- Never swim alone.
- Keep all electrical radios, speakers and other appliances away from the swimming pool.
- When you touch the filter, pump, or electrical parts, be sure the ground under your feet is "Bone Dry."

8. Connect power cords to a 3-wire grounding-type outlet only.
9. Keep all breakable objects out of the pool area.
10. Alcohol consumption and pool activities do not mix. Never allow anyone to swim, dive, or slide under the influence of alcohol or drugs.
11. Severe electrical shock could result if you install your pump or filter on a deck. The pump or filter could fall into the water, causing severe shock or electrocution.
12. Do not install on a deck.
13. Do not use the pool during severe weather conditions, i.e. electrical storms, tornadoes, etc.
14. Be aware of overhead power lines when vacuuming your pool or using a telescoping pole.
15. Do not allow diving, climbing, sitting, or standing on the top rails of the pools.
16. Do not allow roughhousing and horseplay.
17. Do not engage in extended breath holding activities underwater; you may black out and drown.
18. Install a pool ladder(s) or staircase for entry and exit from the pool.
19. Check regularly for signs of wear or loose bolts that could make the pool unsafe.
20. Instruct pool users about the proper use of all pool ladder(s) and staircases.
21. Face ladder going up or down.
22. Allow only one person at a time on the ladder.
23. Remove or secure the ladder to prevent entry to pool when not in use.
24. Check all nuts and bolts regularly to ensure that the ladder stays sturdy.
25. Please contact pool site dealer or manufacturer for additional safety signs if deemed necessary.
26. For pool service, select a certified pool professional. For additional safety information, see www.APSP.org.

Consumer Awareness Booklets and Information Source

CONTACT: U.S. Consumer Product Safety Commission at www.CPSC.gov/cpsc/pub/pubs/pool/pdf, Pub. #362 "Safety Barrier Guidelines for Home Pools."

1. The Sensible Way to Enjoy Your Aboveground/Onground Swimming Pool.
2. Children Aren't Waterproof.
3. Layers of Protection.
4. Pool and Spa Emergency Procedures for Infants and Children.
5. Be Safety Aware Copies of the above brochures are available free from the APSP. Go to: www.APSP.org.

Safety Education Programs and Materials Educational programs and materials (i.e., seminars, workshops, brochures, videos, instructional guides) are available from the APSP, other aquatic safety groups, and by private firms. As a means of communicating useful safety information to pool owners/operators and users, industry members are permitted to provide such information to owners/operators and to request or require owners/operators to sign a statement that they have received, read, and will follow the guidelines.

Other sources of safety information:

- www.cdc.gov
- www.cpsc.gov
- www.drowningpreventionalliance.com
- www.nspf.org
- www.safekids.org

ANSI American National Standards Institute

25 West 43rd Street, New York NY 10036
Contact: 212-642-4900
www.ansi.org

APSP Association of Pool & Spa Professionals

(formerly National Spa and Pool Institute)
2111 Eisenhower Avenue, Alexandria VA 22314
Contact: 703-838-0083
www.apsp.org/164/index.aspx.

NSPI National Spa and Pool Institute (ss APSP)

UL Underwriters Laboratories

333 Pfingsten Road, Northbrook IL 60062-2096
Contact: 847-272-8800
www.ul.com

NSF NSF International

789 N. Dixboro Rd,
P.O. Box 130140
Ann Arbor MI 48113-0140
734-769-8010
www.nsf.org

ASTM ASTM International (formerly American Society of Testing & Materials)

100 Barr Harbor Drive, West Conshohocken, PA 19428-2959
Contact: 610-832-9585
610-832-9555 (fax)
www.atm.org

NEC National Electrical Code (see NFPA)

NFPA National Fire Protection Association
1 Batterymarch Park, Quincy MA 02269
Contact: 617-770-3000
www.nfpa.org

ASME American Society of Mechanical Engineers

3 Park Avenue, New York NY 10016
Contact: 212-591-8562
www.asme.org

Filtration Systems

Any equipment connected to the circulation systems shall be positioned so as to prevent their being used as a means of access to the pool by young children. (See the latest published edition of ANSI/APSP-8 Model Barrier Code for Residential Swimming Pools, Spas, and Hot Tubs.)

Should you encounter any problems, contact Customer Service at (888) 919-0070 from 8 AM to 5 PM Mon. thru Fri.
MST. Extended operating days and hours during peak season requirements.

Barrier

Barrier is necessary to provide protection against potential drowning and near drowning, and barriers are not a substitute for the constant supervision of children. (See latest published edition of ANSI/APSP-8 Model Barrier Code for Residential Swimming Pools, Spas, and Hot Tubs.)

Risk of Drowning, Entrapment, and Diving Accidents

Publications are available that describe the risk of drowning, entrapment, and diving accidents. Available publications related to pool safety include the Association of Pool and Spa Professionals' (APSP) booklets entitled: The Sensible Way to Enjoy Your Aboveground/ Onground Swimming Pool, Children Aren't Waterproof, Pool and Spa Emergency Procedures for Infants and Children, Layers of Protection, and the latest published edition of ANSI/APSP-8 Model Barrier Code for Residential Swimming Pools, Spas, and Hot Tubs.


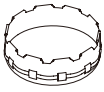
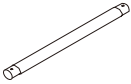

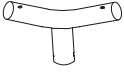



Installer Responsibilities

All of these components shall be positioned so as to prevent their being used as a means of access to the pool by young children.

All safety signs shall be affixed above the water line according to manufacturer's instructions.

(See the latest published edition of ANSI/APSP-8 Model Barrier Code for Residential Swimming Pools, Spas, and Hot Tubs.)

PARTS LIST

 Metal Frame Pool Pool Size	 1 Pool Liner			 2 Horizontal Beam		 3 Vertical Leg		 4 T-Fitting		 5 Leg Cap		 6 Pin & Grommet (with 2 extra)		 7 Pre-installed V-Shape Spring Pin (w/1 extra)	
	Part #	Qty.	Part #	Qty.	Part #	Qty.	Part #	Qty.	Part #	Qty.	Part #	Qty.	Part #	Qty.	
08'x30"	P20008301099	P20008303099	x1	P5A1A0001W01	x8	P5A2A0001W01	x8	P5A3A0000W01	x8	P5APF1450K01	x8	P5A149144W02	x18	P5APF121BW01	x9
10'x30"	P20010301099	P20010303099	x1	P5A1A0001W01	x10	P5A2A0001W01	x10	P5A3A0001W01	x10	P5APF1450K01	x10	P5A149144W02	x22	P5APF121BW01	x11
10'x42"	P20010421099	P20010423099	x1	P5A1A0001W01	x10	P5A2A0014W01	x10	P5A3A0001W01	x10	P5APF1450K01	x10	P5A149144W02	x22	P5APF121BW01	x11
11'x30"	P20011301099	P20011303099	x1	P5A1A0001W01	x11	P5A2A0001W01	x11	P5A3A0002W01	x11	P5APF1450K01	x11	P5A149144W02	x24	P5APF121BW01	x12
12'x30"	P20012301099	P20012303099	x1	P5A1A0001W01	x12	P5A2A0001W01	x12	P5A3A0003W01	x12	P5APF1450K01	x12	P5A149144W02	x26	P5APF121BW01	x13
12'x30"	P20012305099	--	x1	P5A1A0001G02	x12	P5A2A0001G02	x12	P5A3A0003G02	x12	P5APF1450G8U	x12	P5A149144G8U	x26	P5APF121BG8U	x13
12'x33"	P20012331099	P20012333099	x1	P5A1A0001W01	x12	P5A2A0012W01	x12	P5A3A0003W01	x12	P5APF1450K01	x12	P5A149144W02	x26	P5APF121BW01	x13
12'x36"	P20012361099	P20012363099	x1	P5A1A0001W01	x12	P5A2A0002W01	x12	P5A3A0003W01	x12	P5APF1450K01	x12	P5A149144W02	x26	P5APF121BW01	x13
12'x39"	P20012391099	P20012393099	x1	P5A1A0001W01	x12	P5A2A0003W01	x12	P5A3A0003W01	x12	P5APF1450K01	x12	P5A149144W02	x26	P5APF121BW01	x13
12'x48"	P20012481099	P20012483099	x1	P5A1A0002W01	x12	P5A2A0008W01	x12	P5A3A0004W01	x12	P5APF1450K01	x12	P5A149144W02	x26	P5APF121BW01	x13
12'x52"	P20012521099	P20012523099	x1	P5A1A0002W01	x12	P5A2A0009W01	x12	P5A3A0004W01	x12	P5APF1450K01	x12	P5A149144W02	x26	P5APF121BW01	x13
13'x30"	P20013301099	P20013303099	x1	P5A1A0001W01	x13	P5A2A0001W01	x13	P5A3A0001W01	x13	P5APF1450K01	x13	P5A149144W02	x28	P5APF121BW01	x14
13'x33"	P20013331099	P20013333099	x1	P5A1A0001W01	x13	P5A2A0010W01	x13	P5A3A0001W01	x13	P5APF1450K01	x13	P5A149144W02	x28	P5APF121BW01	x14
13'x39"	P20013391099	P20013393099	x1	P5A1A0001W01	x13	P5A2A0003W01	x13	P5A3A0001W01	x13	P5APF1450K01	x13	P5A149144W02	x28	P5APF121BW01	x14
13'x52"	P20013521099	P20013523099	x1	P5A1A0002W01	x13	P5A2A0006W01	x13	P5A3A0004W01	x13	P5APF0490K01	x13	P5A120144W01	x28	P5APF121AW01	x14
14'x36"	P20014361099	P20014363099	x1	P5A1A0002W01	x14	P5A2A0004W01	x14	P5A3A0004W01	x14	P5APF0490K01	x14	P5A120144W01	x30	P5APF121AW01	x15
14'x42"	P20014421099	P20014423099	x1	P5A1A0002W01	x14	P5A2A0005W01	x14	P5A3A0004W01	x14	P5APF0490K01	x14	P5A120144W01	x30	P5APF121AW01	x15
14'x52"	P20014521099	P20014523099	x1	P5A1A0002W01	x14	P5A2A0006W01	x14	P5A3A0004W01	x14	P5APF0490K01	x14	P5A120144W01	x30	P5APF121AW01	x15
15'x33"	P20015331099	P20015333099	x1	P5A1A0002W01	x15	P5A2A0016W01	x15	P5A3A0005W01	x15	P5APF0490K01	x15	P5A120144W01	x32	P5APF121AW01	x16
15'x42"	P20015421099	P20015423099	x1	P5A1A0002W01	x15	P5A2A0005W01	x15	P5A3A0005W01	x15	P5APF0490K01	x15	P5A120144W01	x32	P5APF121AW01	x16
15'x46"	P20015461099	P20015463099	x1	P5A1A0002W01	x15	P5A2A0011W01	x15	P5A3A0005W01	x15	P5APF0490K01	x15	P5A120144W01	x32	P5APF121AW01	x16
15'x48"	P20015481099	P20015483099	x1	P5A1A0002W01	x15	P5A2A0008W01	x15	P5A3A0005W01	x15	P5APF0490K01	x15	P5A120144W01	x32	P5APF121AW01	x16
15'x52"	P20015521099	P20015523099	x1	P5A1A0002W01	x15	P5A2A0009W01	x15	P5A3A0005W01	x15	P5APF0490K01	x15	P5A120144W01	x32	P5APF121AW01	x16
16'x42"	P20016421099	P20016423099	x1	P5A1A0002W01	x16	P5A2A0007W01	x16	P5A3A0006W01	x16	P5APF0490K01	x16	P5A120144W01	x34	P5APF121AW01	x17
16'x48"	P20016481099	P20016483099	x1	P5A1A0002W01	x16	P5A2A0008W01	x16	P5A3A0006W01	x16	P5APF0490K01	x16	P5A120144W01	x34	P5APF121AW01	x17
16'x52"	P20016521099	P20016523099	x1	P5A1A0002W01	x16	P5A2A0009W01	x16	P5A3A0006W01	x16	P5APF0490K01	x16	P5A120144W01	x34	P5APF121AW01	x17
17'x48"	P20017481099	P20017483099	x1	P5A1A0002W01	x17	P5A2A0008W01	x17	P5A3A0007W01	x17	P5APF0490K01	x17	P5A120144W01	x36	P5APF121AW01	x18
17'x52"	P20017521099	P20017523099	x1	P5A1A0002W01	x17	P5A2A0009W01	x17	P5A3A0007W01	x17	P5APF0490K01	x17	P5A120144W01	x36	P5APF121AW01	x18
18'x42"	P20018421099	P20018423099	x1	P5A1A0002W01	x18	P5A2A0007W01	x18	P5A3A0008W01	x18	P5APF0490K01	x18	P5A120144W01	x38	P5APF121AW01	x19
18'x48"	P20018481099	P20018483099	x1	P5A1A0002W01	x18	P5A2A0008W01	x18	P5A3A0008W01	x18	P5APF0490K01	x18	P5A120144W01	x38	P5APF121AW01	x19
18'x52"	P20018521099	P20018523099	x1	P5A1A0002W01	x18	P5A2A0009W01	x18	P5A3A0008W01	x18	P5APF0490K01	x18	P5A120144W01	x38	P5APF121AW01	x19
20'x48"	P20020481099	P20020483099	x1	P5A1A0002W01	x20	P5A2A0008W01	x20	P5A3A0009W01	x20	P5APF0490K01	x20	P5A120144W01	x42	P5APF121AW01	x21
24'x48"	P20024481099	P20024483099	x1	P5A1A0002W01	x24	P5A2A0008W01	x24	P5A3A0010W02	x24	P5APF0490K01	x24	P5A120144W01	x50	P5APF121AW01	x25
24'x52"	P20024521099	P20024520099	x1	P5A1A0002W01	x24	P5A2A0009W01	x24	P5A3A0010W02	x24	P5APF0490K01	x24	P5A120144W01	x50t	P5APF121AW01	x25

Should you encounter any problems, contact Customer Service at (888) 919-0070 from 8 AM to 5 PM Mon. thru Fri.
MST. Extended operating days and hours during peak season requirements.

SETUP INSTRUCTIONS

Before assembling your product, please take a few minutes to check the contents and become familiar with all the parts.

! WARNING - DO NOT overfill the pool and / or allow people to lay over or sit on pool wall - DOING SO CAN CAUSE PERMANENT INJURY!
DRAIN pool to the proper level after a heavy rain.

TIP: It will be much easier to install your pool if you unfold it and let it lay in direct sunlight for about 2 hours prior to installation. This will help to ensure a wrinkle-free fit because the pool material will be more pliable allowing it to form into shape during installation.

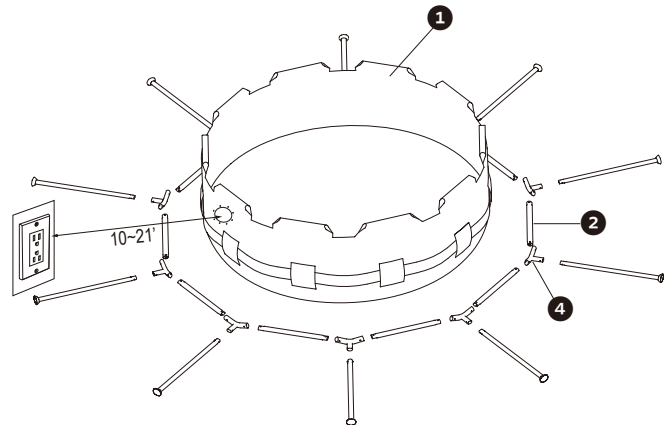
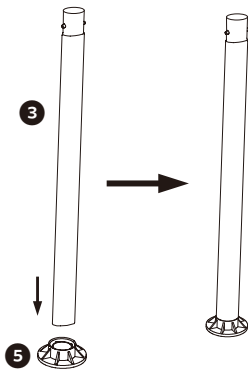
WARNING - VERY IMPORTANT! SITE MUST BE LEVEL, STABLE, COMPACTED SOIL.

- The pool must be assembled on a smooth and level site of firm soil that is free of stones, gravel, sticks, blacktop, or other oil base compounds. Do not install pool on a wooden deck or any type of wooden surface. You cannot use sand and/or uncompacted soil to provide a level surface for this pool; it will only wash out.
- FAILURE TO FOLLOW THE INSTRUCTIONS BELOW WILL CAUSE POOL TO COLLAPSE AND WILL VOID THE WARRANTY!

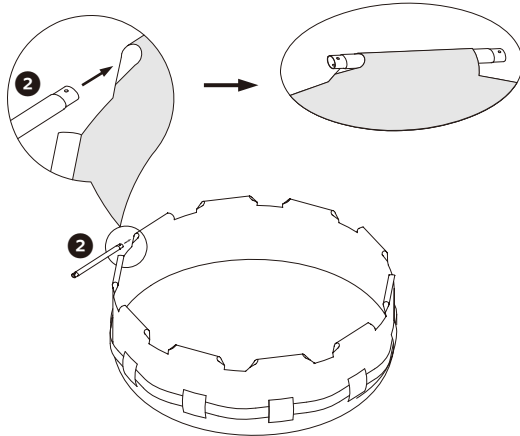
1. Select a level area, and completely remove all debris, twigs, stones, etc. DO NOT select an area under overhead electrical lines, trees, or within 15 feet of a house, building, etc.
2. The pool shall be located a minimum distance of 6ft (1.83m) from any electrical receptacle.
3. All 125 volt, 15 and 20 ampere receptacles located within 20ft (6.0m) of the pool shall be protected by a ground fault circuit interrupter (GFCI).
The 20ft (6m) distance is measured via the shortest straight line distance the supply cord would follow without piercing a floor, wall, ceiling, doorway, window, or other permanent barrier.
4. Contact your local utilities, checking that no underground cables, telephone lines, gas lines, etc. run beneath the area you have selected.

Setup Instructions

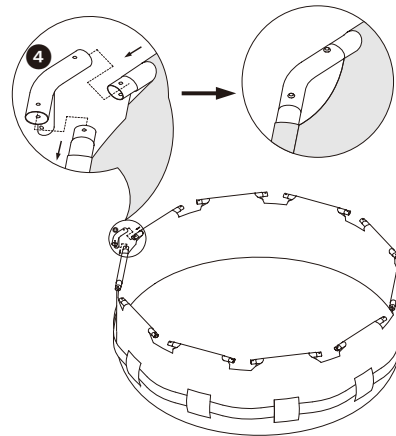
1. Locate a level and flat area to set up the pool. Make sure the ground is free from sharp objects as they may puncture the pool.
2. LIFT the pool liner across the ground. DO NOT drag the liner from one location to another location.
3. Locate the pool so that the pump opening is 10 to 21 feet away from the electrical outlet.
4. Put on the Vertical Leg **3** in each Leg Cap **5**.
5. Lay down all parts on the ground as shown below.



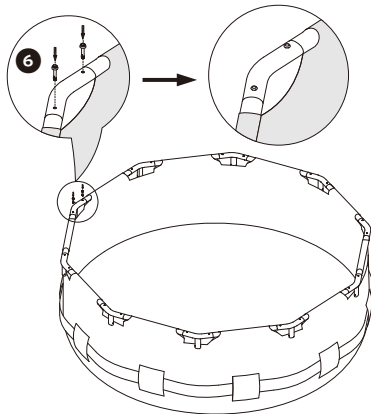
6. Carefully slide the Horizontal Beams ② into the sleeves of the pool.



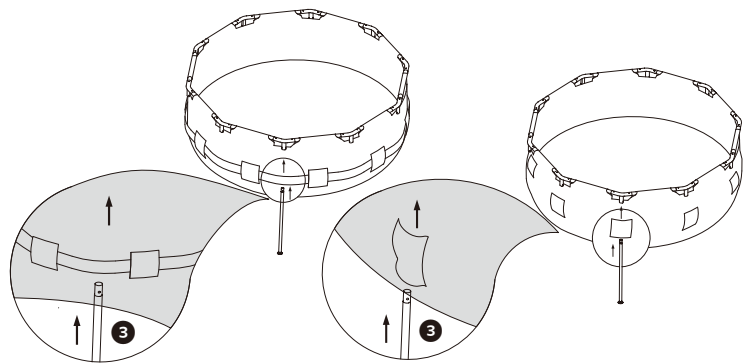
7. Connect the T-Fitting ④ to Horizontal Beam ②



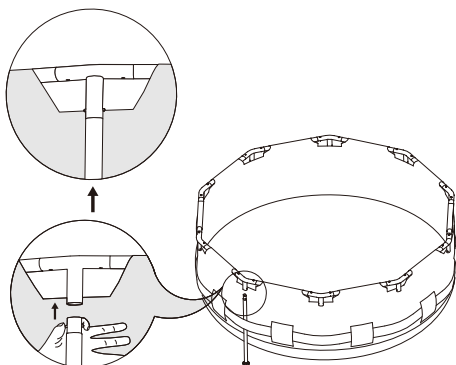
8. Insert the Pin ⑥ down through the top of the T-Fittings until the Pin snaps into place on the lower side of the fitting.



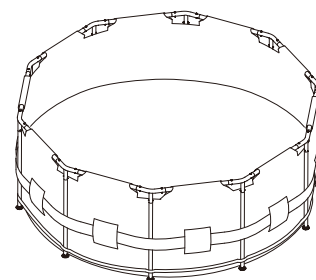
9. Carefully slide the Vertical Leg ③ down through the belt that runs around the middle of the pool.
 • For smaller pools without a belt, slide the vertical leg through the sleeves on the pool wall.



10. Look through the hole in the fitting as you insert and rotate the pipe until the buttons align with the holes and pop out, locking the leg in place.



11. Go around and check all fittings, legs, and beams are properly installed and secured in place. Make sure the drain fitting is plugged securely and the cap is in place.



12. Start filling the pool with water until 1-inch of water is on the bottom; then, stop filling and smooth wrinkles out of the pool bottom. Push outward from inside the pool removing all wrinkles so that it fills evenly and flat.
 IF MORE THAN 1-2 INCHES OF WATER COLLECTS ON ANY ONE SIDE BEFORE THE POOL STARTS FILLING IN THE CENTER, THE POOL IS NOT LEVEL ENOUGH, AND MUST BE CORRECTED.

POOL MAINTENANCE & DRAINAGE



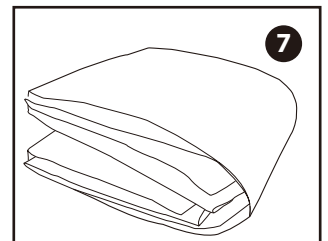
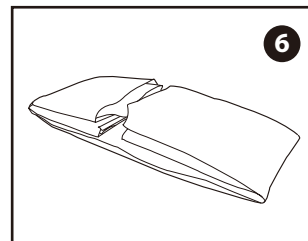
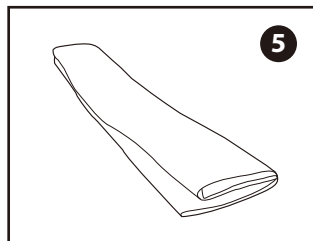
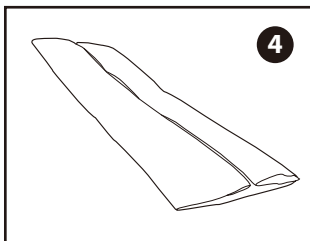
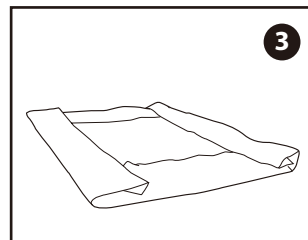
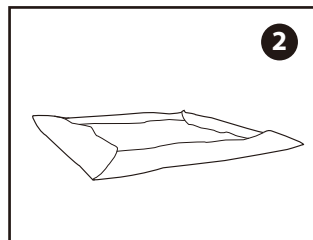
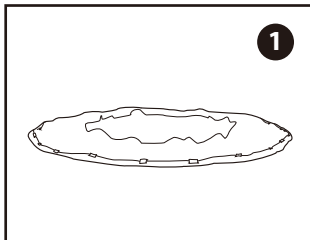
CAUTION: ALWAYS FOLLOW THE CHEMICAL MANUFACTURER'S DIRECTIONS, AND THE HEALTH AND HAZARD WARNINGS.

Do not add chemicals if the pool is occupied. This can cause skin or eye irritation. Concentrated chlorine solutions can damage the pool liner. In no event is Polygroup®, the buyer, or any other party liable for costs associated with the loss of pool water, chemicals, or water damage. Keep spare filter cartridges on hand. Replace cartridges every two weeks. We recommend the use of Polygroup® Filter Pump with all of our above-ground-pools. To purchase a Polygroup® Filter Pump or other accessories, visit our website or call Polygroup® Consumer Services.

EXCESSIVE RAIN: To avoid damage to the pool and over filling, immediately drain rain water that causes the water level to be higher than the maximum.

How to Drain Your Pool and Long Term Storage

1. Check local regulations for specific directions regarding disposal of swimming pool water.
2. Make sure the drain plug inside the pool is plugged in place.
3. Twist off the cap of the drain valve on the outside of the pool.
4. Attach a 5/8" garden hose to the drain valve.
5. Place the other end of the garden hose in an area where the water can be safely drained away from the house and other nearby structures.
6. Unplug the inner cap of the to start draining the pool.
7. When the water stops draining, start lifting the pool from the side opposite the drain, leading any remaining water to the drain and emptying the pool completely.
8. Replace drain cap on outside of pool.
9. Completely deflate the top ring, and remove all connecting parts.
10. Be sure that the pool and all parts are completely dry before storage. Air dry the liner in the sun until completely dry before folding (see drawing ①). Sprinkle some talcum powder to prevent the vinyl from sticking together and to absorb any residual moisture.
11. Create a square shape. Starting at one side, fold one-sixth of liner into itself twice. Do the same on the opposite side (see drawings ② & ③).
12. Once you have created two opposing folded sides, simply fold one over the other like closing a book (see drawings ④ & ⑤).
13. Fold the two long ends to the middle (see drawing ⑥).
14. Fold one over the other like closing a book, and finally compact the liner (see drawing ⑦).
15. Store the liner and accessories in a dry, temperature controlled storage location, between 32 degrees Fahrenheit (0 degrees Celsius) and 104 degrees Fahrenheit (40 degrees Celsius).
16. The original packing can be used for storage.



POOL STORAGE & WINTERIZING

Winterizing Your Above Ground Pool

After usage, you can easily empty and store away your pool in a safe place. Some pool owners, however, choose to leave their pool up all year round. In cold areas, where freezing temperatures occur, there can be a risk of ice damage to your pool. We therefore recommend you drain, disassemble, and properly store the pool, when the temperature drops below 32 degrees Fahrenheit (0 degrees Celsius).

Clean the Pool Water Thoroughly

1. Clean the pool water thoroughly. If the type is a Quick Set Pool, make sure that the top ring is properly inflated.
2. Remove the skimmer (if applicable) or any accessories attached to the threaded strainer connector. Replace strainer grid if necessary. Be sure all accessories parts are clean and completely dry before storage.
3. Plug the Inlet and Outlet fitting from the inside of the pool with the plug provided (sizes 16' and below). Close the Inlet and Outlet Plunger Valve (sizes 17' and above).
4. Remove the ladder (if applicable) and store in a safe place. Be sure the ladder is completely dry before storage.
5. Remove the hoses that connect the pump and filter to the pool.
6. Add the appropriate chemicals for the winter period. Consult your local pool dealer as to which chemicals you should use and how to use them. This can vary greatly by region.
7. Cover pool with Polygroup® Pool Cover. IMPORTANT NOTE: Polygroup® POOL COVER IS NOT A SAFETY COVER.
8. Clean and drain the pump, filter housing, and hoses. Remove and discard the old filter cartridge. Keep a spare cartridge for the next season.
9. Bring pump and filter parts indoors and store in a safe and dry area, preferably between 32 degrees Fahrenheit (0 degrees Celsius) and 104 degrees Fahrenheit (40 degrees Celsius).

POOL SAFETY SIGN

POST THIS WARNING NEAR YOUR POOL



WARNING

NO DIVING OR JUMPING SHALLOW WATER

DIVING MAY RESULT IN PERMANENT INJURY OR DEATH



- Be Safe. Swim with a friend.
- Children must be accompanied by an adult.
- Don't swim when using alcohol or drugs.
- Be familiar with the pool before swimming.
- No running, jumping, or horseplay in or around pool.
- No glass in pool area.



TO AVOID SERIOUS INJURY ALL POOL USERS MUST KNOW AND FOLLOW THESE SAFETY RULES.

Should you encounter any problems, contact Customer Service at (888) 919-0070 from 8 AM to 5 PM Mon. thru Fri. MST. Extended operating days and hours during peak season requirements.

POOL COVER SAFETY

IF YOU ARE GOING TO USE A POOL COVER, SOLAR COVER, OR SOLAR BLANKET, PLEASE READ THIS INFORMATION.

POOL COVER WARNING SOLAR COVER WARNING

WARNING

AVOID DROWNING RISK

STAY OFF COVER - WILL NOT SUPPORT WEIGHT.
KEEP CHILDREN AWAY. CHILDREN OR OBJECTS CAN NOT BE SEEN UNDER COVER.
REMOVE STANDING WATER - CHILD CAN DROWN ON TOP OF COVER.
REMOVE COVER COMPLETELY BEFORE ENTRY OF BATHERS - ENTRAPMENT POSSIBLE.
NON-SECURED OR IMPROPERLY SECURED COVERS ARE A HAZARD.
FAILURE TO FOLLOW ALL INSTRUCTIONS MAY RESULT IN INJURY OR DROWNING.
THIS IS NOT A SAFETY COVER.
TYPE OC COVER CLASSIFICATION.
INSTALL COVER WITH LABELS FACING UP.
USE DRAWSTRING TO SECURE COVER TO POOL.
THIS COVER MEETS REQUIREMENTS DESCRIBED IN SPECIFICATION F-1346 (ASTM).

SOLAR BLANKET WARNING

WARNING

AVOID DROWNING RISK

STAY OFF COVER - WILL NOT SUPPORT WEIGHT.
KEEP CHILDREN AWAY. CHILDREN OR OBJECTS CAN NOT BE SEEN UNDER COVER.
REMOVE STANDING WATER - CHILD CAN DROWN ON TOP OF COVER.
REMOVE COVER COMPLETELY BEFORE ENTRY OF BATHERS - ENTRAPMENT POSSIBLE.
NON-SECURED OR IMPROPERLY SECURED COVERS ARE A HAZARD.
FAILURE TO FOLLOW ALL INSTRUCTIONS MAY RESULT IN INJURY OR DROWNING.
THIS IS NOT A SAFETY COVER.
TYPE OC COVER CLASSIFICATION.
INSTALL COVER WITH LABELS FACING UP.
USE DRAWSTRING TO SECURE COVER TO POOL.
THIS COVER MEETS REQUIREMENTS DESCRIBED IN SPECIFICATION F-1346 (ASTM).

VERY IMPORTANT

DO NOT USE A POOL COVER, SOLAR COVER, OR SOLAR BLANKET ON THIS POOL IF IT DOES NOT HAVE THIS TYPE OF WARNING LABEL ON THE COVER.

DANGER:

Competent supervision and knowledge of the safety requirements are the only ways to prevent drowning or permanent injury in the use of this product!
Never leave young children unattended.

SUMMER WAVES® PISCINE TUBULAIRE MÉTALLIQUE

POUR LES MODÈLES DE PISCINE HORS-SOL

Modèles 2,44 m - 7,32 m (8' - 24')



LISEZ ET CONSERVEZ CETTE NOTICE D'UTILISATION POUR CONSULTATION ULTÉRIEURE

Pour tout problème d'installation et de dépannage, allez sur le site :
<https://polygroup.zendesk.com/hc/en-us> Service Client : (888)919-0070

NE RETOURNEZ PAS LE PRODUIT AU MAGASIN

Pour commander des pièces et des accessoires, allez sur le site :
www.polygroupstore.com

Si vous rencontrez un problème avec votre produit Polygroup®, ne le retournez pas au point de vente. Toutes les réclamations dans le cadre de la garantie doivent être adressées directement à Polygroup®. Avant de contacter le service client, lisez d'abord le chapitre Dépannage de la notice d'utilisation ou lisez la FAQ sur le site : www.Polygroup.com. Visionnez les vidéos d'installation à l'adresse www.Polygroup.com/video. Si vous ne pouvez toujours pas corriger le problème, contactez le service client de Polygroup® au (888) 919-0070. Préparez le reçu d'achat et le type du produit. L'agent de notre service client vous aidera à résoudre le problème. Il vous sera peut-être demandé de renvoyer tout ou partie du produit pour inspection et/ou réparation. Ne retournez aucun produit à Polygroup® sans numéro d'Autorisation de Retour.

GARANTIE LIMITÉE

Polygroup® Limited (Macao Commercial Offshore) (ci-après « Polygroup® ») garantit, exclusivement à l'acheteur initial, la piscine à structure métallique contre les défauts de matériau ou de fabrication pendant 90 jours à compter de la date d'achat. L'acheteur initial doit conserver la preuve de cet achat sous la forme du reçu de vente d'origine du magasin et doit le fournir à la demande de Polygroup® ou de ses agents désignés. Les réclamations dans le cadre de la garantie ne peuvent pas être traitées sans preuve d'achat valable. Cette Garantie Limitée s'applique exclusivement à l'acheteur initial du produit et se limite exclusivement à la réparation ou au remplacement du produit, tel que décidé à la seule discrétion de Polygroup®. Les dommages consécutifs, y compris les réclamations de perte d'eau, de produits de traitement des piscines, de détériorations ou de travail, ne sont pas couverts par cette Garantie Limitée.

Cette Garantie est déclarée invalide si l'Acheteur modifie ou répare le produit lui-même ou par des personnes non autorisées, utilise avec le produit des accessoires ou pièces qui ne sont pas de la marque Polygroup®, utilise le produit sans respecter les instructions du fabricant, utilise une tension électrique inappropriée, maltraite le produit de quelque manière que ce soit, fait preuve de négligence ou en cas de circonstances accidentelles. L'usure normale n'est pas couverte par cette Garantie, ni les événements de force majeure hors du contrôle de Polygroup®.

EN AUCUN CAS, POLYGROUP®, SES AGENTS AGRÉÉS, ENTITÉS APPARENTÉES OU EMPLOYÉS NE SERONT RESPONSABLES ENVERS L'ACHETEUR OU TOUTE AUTRE PARTIE POUR DES DOMMAGES DIRECTS OU INDIRECTS. Certains états/provinces ou pays, ou d'autres juridictions n'autorisent pas l'exclusion ou la limitation des dommages indirects ou secondaires, auquel cas l'exclusion ou la limitation susmentionnée ne s'applique pas à vous.

TABLE DES MATIÈRES

Avertissement	3 ~ 7
Liste Des Pièces.....	8
Instructions D'assemblage	9 ~ 10
Entretien Et Vidange De La Piscine.....	11
Hivernage Et Stockage De La Piscine	12
Signalisation De Sécurité De La Piscine	12
Sécurité Concernant Les Couvertures De Piscine.....	13

CONSIGNES DE SÉCURITÉ IMPORTANTES

Lors de l'installation et de l'utilisation de cet équipement électrique, respectez toujours des précautions de sécurité élémentaires, parmi lesquelles :

LISEZ ET RESPECTEZ TOUTES LES INFORMATIONS ET INSTRUCTIONS.

Conserver pour consultation ultérieure. Ne pas respecter ces mises en garde et instructions peut provoquer des blessures graves ou la mort des utilisateurs, notamment des enfants.

⚠ AVERTISSEMENT



⚠ DANGER

EMPÊCHER LA NOYADE !
SURVEILLEZ ÉTROITEMENT LES ENFANTS QUI SE TROUVENT DANS OU PRÈS DE CETTE PISCINE. LES ENFANTS DE MOINS DE 5 ANS SONT LES PLUS EXPOSÉS AU RISQUE DE NOYADE. VIDEZ LA PISCINE OU EMPÊCHEZ SON ACCÈS QUAND ELLE N'EST PAS UTILISÉE.

NE PAS PLONGER !
DANS DE L'EAU PEU PROFONDE, VOUS POUVEZ VOUS BRISER LE COU ET ÊTRE PARALYSÉ.

⚠ AVERTISSEMENT

NE PAS S'ASSOIR OU S'ALLONGER SUR LA PAROI DE LA PISCINE
VOUS POUVEZ SUBIR DES BLESSURES IRRÉVERSIBLES.

ÉVITER D'ÊTRE PIÉGÉ !
RESTEZ ÉLOIGNÉ DES RACCORDS D'ASPIRATION ET DE VIDANGE. VOS CHEVEUX, VOTRE CORPS ET VOS BIJOUX PEUVENT ÊTRE ASPIRÉS DANS L'ORIFICE DE VIDANGE. VOUS POURRIEZ ÊTRE MAINTENU SOUS L'EAU ET VOUS NOYER. N'UTILISEZ PAS LA PISCINE SI LE BOUCHON DE LA SORTIE D'ASPIRATION OU DE VIDANGE EST MANQUANT OU CASSÉ.



- Installez la piscine exclusivement sur un sol HORIZONTAL, STABLE et COMPACT.
- **N'INSTALLEZ PAS la piscine sur une surface de sable.**
- **N'UTILISEZ PAS de sable pour niveler le sol.**
- Le sable peut être emporté par l'eau, ce qui peut provoquer la DÉFORMATION et l'EFFONDREMENT de la piscine. Ne pas respecter cette exigence peut provoquer des BLESSURES CORPORELLES.
- S'il y a trop de sable dans la piscine, cela peut ENDOMMAGER le liner et le système de filtration de la piscine. Ne pas respecter ces consignes annule la garantie.

REMARQUE : LES LOIS NATIONALES OU LOCALES PEUVENT EXIGER DES CLIENTS ACHETANT UNE PISCINE DE SUPPORTER DES FRAIS SUPPLÉMENTAIRES LORS DE L'INSTALLATION D'UNE PISCINE POUR ÊTRE CONFORME AUX LOIS NATIONALES ET LOCALES RELATIVES AU CLÔTURAGE ET À D'AUTRES EXIGENCES DE SÉCURITÉ. LES CLIENTS DOIVENT CONTACTER L'AGENCE LOCALE CHARGÉE DE L'APPLICATION DU CODE DE LA CONSTRUCTION POUR PLUS DE DÉTAILS.

Sécurité des Enfants

Risque de Noyade :

1. Désignez un adulte comme responsable de la surveillance des enfants dans la piscine. Donnez à cette personne une carte « surveillant de baignade » et demandez-lui de la porter pendant toute la durée où elle est en charge de la surveillance des enfants dans la piscine. Si elle doit s'éloigner, demandez-lui de donner la carte « surveillant de baignade » et la responsabilité de la surveillance à un autre adulte. **Pour obtenir des cartes de surveillant de baignade de rechange, allez sur le site : www.polygroupstore.com**
2. La piscine présente un risque de noyade, même pendant son remplissage et sa vidange. Maintenez une supervision constante des enfants et ne retirez aucune barrière de sécurité tant que la piscine n'est pas complètement vidée et rangée.
3. Les enfants, notamment les jeunes enfants de moins de cinq ans, présentent un risque de noyade très élevé. La noyade se produit en silence et rapidement, la noyade peut se produire dans une profondeur d'eau aussi réduite que 5 cm (2").
4. Veillez à toujours garder un contact visuel direct avec les enfants, restez près d'eux et surveillez-les activement quand ils sont dans ou près de cette piscine et quand vous la remplissez ou la videz.
5. Lors de la recherche d'un enfant manquant, contrôlez d'abord la piscine, même si vous pensez que l'enfant est dans la maison.
6. Ne laissez pas de jouets dans la piscine quand vous avez fini de l'utiliser, car les jouets et les objets similaires peuvent attirer un enfant dans la piscine. Placez les meubles (par exemple les tables et les chaises) loin de la piscine pour que les enfants ne puissent pas grimper dessus afin d'accéder à la piscine. Après utilisation de la piscine, videz l'eau jusqu'à ce qu'il ne reste plus qu'une profondeur maximale de 1 cm (0,5").
7. Placez les pompes et les filtres en sorte que les enfants ne puissent pas grimper dessus et accéder à la piscine.

Barrières de Piscine

Très Important :

1. Les barrières de piscine, qui restreignent l'accès des jeunes enfants à la piscine, peuvent être exigées par la loi. Une barrière est nécessaire pour fournir une protection contre les noyades et quasi-noyades potentielles. Les barrières ne sont pas des substituts à la supervision constante des enfants.
2. Contrôlez constamment l'accès des enfants à la piscine en installant une clôture ou une autre barrière homologuée tout autour de la piscine. Les lois et réglementations locales peuvent exiger l'installation d'une clôture ou d'autres barrières homologuées. Prenez connaissance des lois et réglementations locales et nationales avant d'installer la piscine.
3. Voir la dernière édition publiée de la Publication N° 362 du CPSC disponible sur www.poolsafely.gov.

Équipement de Piscine

1. L'utilisation d'éclairage de piscine artificiel se fait à la discrétion du propriétaire de la piscine. L'éclairage, si installé, doit être conforme à l'Article 680 du National Electrical Code (NEC) ou de sa dernière édition approuvée et il doit être installé en consultation avec un électricien professionnel diplômé.
2. Maintenez tous les câbles électriques, radios, haut-parleurs et autres appareils électriques éloignés de la piscine.
3. Ne placez pas la piscine près ou sous des lignes électriques surplombantes.
4. Tous les composants électriques installés dans et/ou à côté d'une piscine résidentielle hors-sol/posée doivent être installés conformément aux exigences de la dernière édition publiée du NFPA 70, de l'Article 680 « Swimming pools, fountains, and similar installations » du National Electrical Code (NEC®) et de toute réglementation locale ou nationale.

Connaissance de la Piscine

Avertissement :

1. **DOIT ÊTRE ASSEMBLÉ PAR LES ADULTES** : Il faut faire attention lors du déballage et de l'assemblage de la piscine. Cette piscine peut contenir de petites pièces, pointes ou arêtes coupantes accessibles potentiellement dangereuses, mais nécessaires au fonctionnement de la piscine.
2. N'installez pas la piscine sur une pente ou une surface inclinée, ni sur un sol meuble ou mou (par exemple du sable ou de la boue), ni sur une surface surélevée (par exemple une terrasse, une plateforme ou un balcon) qui peut s'effondrer sous le poids de la piscine remplie.
3. **ÉVITER LE DANGER D'ÉTOUFFEMENT** : Maintenez le sac en plastique utilisé dans ce produit éloigné des bébés et des enfants. N'utilisez pas le sac dans les berceaux, lits, poussettes et parcs pour bébé. Le sac en plastique peut boucher le nez et la bouche et empêcher la respiration. Le sac en plastique n'est pas un jouet.
4. Si un bouchon de sortie d'aspiration ou de vidange est manquant ou cassé, n'utilisez pas la piscine. L'aspiration peut provoquer le piégeage d'une partie du corps, l'emmêlement des cheveux et des bijoux, l'éviscération et la noyade. Réparez ou changez le bouchon de sortie d'aspiration ou de vidange avant d'autoriser l'utilisation de la piscine.
5. Pendant l'utilisation nocturne de la piscine, un éclairage artificiel doit être utilisé pour éclairer tous les signaux de sécurité, les échelles, les marchepieds, les surfaces de terrasses et allées.
6. Le fond de la piscine doit être visible en permanence depuis le périmètre extérieur de la piscine.
7. Maintenez votre piscine propre et limpide. La partie la plus profonde de la piscine doit être visible en permanence depuis la barrière extérieure de la piscine.
8. Affichez la liste des numéros de téléphone d'urgence, par exemple celui du bureau de police le plus proche, des pompiers, des ambulanciers et/ou des services d'aide médicale urgente. Ces numéros doivent être constamment disponibles près du téléphone le plus proche de la piscine.
9. Des équipements de sauvetage basiques doivent être disponibles immédiatement en permanence, parmi lesquels :
 - Une perche rigide, solide et légère (avec houlette) d'au moins 366 cm (12') de long.
 - Une corde d'un diamètre minimal de 6,35 mm (1/4") dont la longueur est au moins 1,5 fois la largeur maximale de la piscine ou 15,24 m (50'), selon le plus petit facteur, qui a été solidement attaché à une bouée couronne homologuée par les garde-côtes et dont le diamètre externe est d'environ 38,1 cm (15") ou un dispositif de flottaison homologué similaire.
10. La piscine peut s'user et s'abîmer. Si elle n'est pas correctement entretenue, certains types de détériorations excessives ou accélérées peuvent conduire à l'effondrement de la structure de la piscine, ce qui peut provoquer le déversement de grandes quantités d'eau pouvant provoquer des blessures corporelles et des dommages matériels.
11. N'autorisez jamais les jeux tapageurs, les plongeurs et les sauts dans et autour de la piscine. Des blessures graves, la paralysie ou la mort peuvent résulter du non-respect de cette règle.
N'AUTORISEZ JAMAIS aucune personne à nager seule sans supervision.
12. La piscine doit être placée à une distance minimale de 1,83 m de toute prise électrique, et toutes les prises électriques de 125 V 15 A ou 20 A situées à moins de 6,0 m de la piscine doivent être protégées par un disjoncteur différentiel de fuite à la terre (DDFT), avec les distances mesurées par le plus court chemin qui serait celui de la rallonge électrique d'un appareil branché dans une prise électrique sans percer de sol, de mur, de plafond, de porte battante ou coulissante, d'ouverture de fenêtre ou d'autres barrières permanentes effectives jusqu'à la paroi interne de la piscine.

Systèmes de Circulation

1. Les installateurs doivent respecter les instructions écrites concernant le positionnement de tous les équipements raccordés aux systèmes de circulation.
2. L'installateur doit respecter les instructions écrites fournies concernant l'utilisation des composants du système de circulation.
3. Toutes les pompes et tous les composants du système de circulation devant être changés ou réparés doivent être installés conformément aux instructions de la notice d'utilisation de la pompe.
4. L'équipement de circulation doit être installé conformément aux instructions du fabricant pour que le support et la fixation soient appropriés, pour éviter les dommages dus à un mauvais alignement, à un tassement et à des vibrations, et pour minimiser le risque d'accumulation de débris et d'humidité. Consultez la notice d'utilisation de la pompe.
5. La pompe de rechange ne doit jamais dépasser le débit nominal maximal spécifié sur le raccord d'aspiration.

Échelle

1. L'échelle doit être placée sur une base solide et conformément aux instructions du fabricant.
2. Il ne doit y avoir qu'une seule personne sur l'échelle/escalier à la fois.
3. Cette échelle est conçue et fabriquée pour une hauteur de paroi de piscine spécifique et/ou une terrasse de piscine spécifique.

Si vous rencontrez des difficultés, prenez contact avec notre service après-vente au (888) 919-0070 de 8h à 17h du lundi au vendredi MST. Les journées et les heures sont susceptibles d'être prolongées pendant la haute saison.

4. Pour entrer et sortir de la piscine, restez en permanence face à l'échelle.
5. Pour prévenir le piégeage ou la noyade, ne nagez pas à travers, derrière ou autour de l'échelle.
6. Retirez et sécurisez l'échelle quand la piscine n'est pas utilisée.

Couverture de Piscine

Les couvertures de piscine utilisées comme barrières de sécurité doivent être conformes à la dernière édition publiée de l'ASTM F-1346, aux spécifications de performance standards pour les couvertures de sécurité et aux exigences d'étiquetage pour toutes les couvertures de piscine, spa et jacuzzi.

Produits d'entretien

Par sécurité, veillez à ce que la partie la plus profonde de la piscine soit toujours visible. L'utilisateur doit veiller à ce que l'eau de piscine reste en permanence limpide. Contrôlez régulièrement le pH et le niveau de chlore, et vérifiez qu'ils sont dans les limites recommandées. Des produits chimiques de traitement de l'eau additionnels peuvent être requis de temps en temps. Faites tester un échantillon d'eau par une boutique locale de produits d'entretien pour piscine afin de déterminer si des produits chimiques supplémentaires sont requis. Allumez la pompe au moins 6 heures par jour, consultez le site www.zendesk.com pour connaître les durées de fonctionnement recommandées de la pompe. Lavez et remplacez fréquemment la cartouche filtrante. Remplacez-la exclusivement par une cartouche filtrante d'origine de la marque Polygroup® / Summer Waves®. Consultez la notice de la pompe de filtration pour obtenir des informations supplémentaires d'entretien de l'eau.

Risque de Piégeage

1. Éviter le piégeage : Il ne doit y avoir aucun objet saillant ou autre obstruction dans la zone de nage, car cela peut provoquer le piégeage ou l'étranglement de l'utilisateur. Si un bouchon de sortie d'aspiration est manquant ou cassé, n'utilisez pas la piscine. L'aspiration peut provoquer le piégeage d'une partie du corps, l'emmêlement des cheveux et des bijoux, l'éviscération et la noyade.
Réparez ou changez le bouchon de sortie d'aspiration avant d'autoriser l'utilisation de la piscine.
2. DANGER ! POUR ÉVITER DES BLESSURES GRAVES OU LA MORT, FERMEZ LA PISCINE OU LE SPA AUX BAIGNEURS SI UN BOUCHON/GRILLE DE SORTIE D'ASPIRATION EST MANQUANT, CASSÉ OU INOPÉRANT.
3. Ne jouez jamais et ne nagez jamais près des raccords d'aspiration et de vidange. Votre corps ou vos cheveux pourraient être happés, ce qui provoquerait des blessures irréversibles ou la noyade.
4. N'entrez jamais dans la piscine ou le spa si un raccord d'aspiration ou un bouchon de vidange est desserré, cassé ou manquant.
5. Notifiez immédiatement le propriétaire ou l'opérateur de la piscine ou du spa que vous avez constaté qu'un bouchon de vidange est desserré, cassé ou manquant.

Risque de noyade

1. Contrôlez constamment l'accès des enfants à la piscine en installant une clôture ou une autre barrière homologuée tout autour de la piscine. Les lois et réglementations locales peuvent exiger l'installation d'une clôture ou d'autres barrières homologuées. Prenez connaissance des lois et réglementations locales et nationales avant d'installer la piscine.
2. Retirez les échelles de piscine avant de laisser la piscine sans surveillance. Les enfants aussi jeunes que 2 ans pourraient grimper sur une échelle, rentrer dans la piscine et se noyer.
3. Les jouets, chaises, tables et objets similaires sur lesquels un jeune enfant pourrait grimper doivent être éloignés d'au moins 121,92 cm (4') de la piscine. Le système de la pompe de filtration doit être placé en sorte de ne pas pouvoir être utilisé comme moyen d'accès à la piscine par les jeunes enfants.

Risques des Plongeurs

1. Les piscines résidentielles hors-sol/posées sont conçues exclusivement pour nager et patauger. Aucun plongeur, toboggan ou autre équipement ne doit être ajouté à une piscine hors-sol/posée qui pourrait donner l'impression ou indiquer que la piscine hors-sol/posée peut être utilisée ou est conçue pour plonger ou glisser.
2. Ne plongez pas dans cette piscine. Plonger dans une faible profondeur d'eau peut provoquer une fracture du cou, la paralysie ou la mort.

Risque d'électrocution

1. Maintenez tous les câbles électriques, radios, haut-parleurs et autres appareils électriques éloignés de la piscine.
2. Ne placez pas la piscine près ou sous des lignes électriques surplombantes.

Premiers Secours

1. Veillez à ce qu'il y ait toujours un téléphone et la liste des numéros d'urgence près de la piscine.
2. Obtenez un certificat en réanimation cardio-pulmonaire (RCP). En cas d'urgence, utiliser immédiatement la réanimation cardio-pulmonaire peut permettre de faire la différence entre la vie et la mort.

Mises en garde spéciales

1. Les codes de la construction locaux peuvent exiger l'obtention d'un permis de travaux électriques ou de construction. L'installateur doit respecter les réglementations relatives aux retraits, barrières, appareils et autres installations.
2. Les signaux de sécurité doivent être conformes aux exigences de ANSI-Z535 et utiliser des mentions d'avertissement.
3. N'ESSAYEZ PAS d'assembler cette piscine par mauvais temps, par temps venteux ou quand la température est inférieure à 16 °C (60 °F).
4. Ce produit est une piscine stockable qui doit être démontée et rangée quand une baisse de la température sous 0 °C (32 °F) est prévue.
5. L'installateur doit garantir que toutes les piscines et leurs composants relatifs installés dans un environnement d'intérieur sont conformes aux exigences de ventilation de ANSI/ASHRAE 62 ou de la dernière édition publiée de la Ventilation pour la qualité de l'air intérieur acceptable (« Ventilation for acceptable indoor air quality »), Tableau 2, Article 2.1.
6. Le positionnement de la piscine et des piscines portables doit être conforme aux codes de la construction et réglementations de sécurité locaux.
7. AVERTISSEMENT ! La supervision compétente et la connaissance des exigences de sécurité sont la seule manière de prévenir la noyade ou des blessures irréversibles lors de l'utilisation de ce produit ! Ne laissez jamais votre enfant sans surveillance.

Entretien de la Piscine

1. Videz complètement la piscine après chaque utilisation et rangez la piscine vide en sorte que de l'eau ne puisse pas s'accumuler dedans en cas de pluie ou pour une autre raison.
2. Après utilisation de la piscine, videz l'eau jusqu'à une profondeur maximale de 1 cm (0,5").

Consignes de Sécurité Supplémentaires

1. Apprenez à nager à votre enfant.
2. Ne plongez jamais, ne sautez jamais et ne glissez jamais dans la piscine.
3. La supervision des adultes est toujours requise.
4. Les parents doivent apprendre la réanimation cardio-pulmonaire.
5. Ne nagez jamais seul.
6. Maintenez tous les appareils électriques (radios, haut-parleurs, etc.) éloignés de la piscine.
7. Avant de toucher le filtre, la pompe ou des pièces électriques, vérifiez que le sol sous vos pieds est totalement sec.
8. Branchez les câbles d'alimentation exclusivement dans une prise de terre à 3 brins.
9. Maintenez tous les objets cassants hors de la zone de la piscine.
10. La consommation d'alcool et l'utilisation de la piscine ne sont pas compatibles. N'autorisez jamais une personne à nager, plonger ou glisser quand elle est sous l'influence de l'alcool ou de médicaments.
11. Un choc électrique grave peut résulter si vous installez votre pompe ou votre filtre sur une terrasse. La pompe ou le filtre pourrait tomber dans l'eau et provoquer un choc électrique grave ou une électrocution.
12. Ne les installez pas sur une terrasse.
13. N'utilisez pas la piscine par très mauvais temps, par exemple quand il y a un orage, une tornade, etc.
14. Prenez garde aux lignes électriques surplombantes lors de l'aspiration de votre piscine ou de l'utilisation d'une perche télescopique.
15. N'autorisez personne à plonger, grimper, s'asseoir ou se tenir debout sur les rails supérieurs des piscines.
16. N'autorisez pas le chahut et les bousculades.
17. N'effectuez aucune activité sous l'eau en retenant longtemps votre respiration, car vous risquez de perdre conscience et de vous noyer.
18. Installez un ou plusieurs escaliers/échelles pour entrer et sortir de la piscine.
19. Inspectez régulièrement tous les éléments pour détecter des signes d'usure ou des fixations desserrées qui pourraient rendre la piscine dangereuse.
20. Instruisez les utilisateurs de la piscine sur l'utilisation appropriée de tous les escaliers et échelles de piscine.
21. Placez-vous face à l'échelle pour monter ou descendre.
22. Autorisez une seule personne à la fois sur l'échelle.
23. Retirez ou bloquez l'échelle pour empêcher l'entrée dans la piscine quand elle n'est pas utilisée.
24. Inspectez tous les écrous et toutes les vis régulièrement pour vérifier que l'échelle est stable et solide.
25. Contactez le fabricant ou le distributeur de piscine local pour obtenir de la signalétique de sécurité supplémentaire si cela est considéré nécessaire.
26. Pour la maintenance de la piscine, sélectionnez un professionnel agréé. Pour plus d'informations de sécurité, allez sur le site : www.APSP.org.

Source et Documents d'informations pour le consommateur

CONTACT: tU.S. Consumer Product Safety Commission sur www.CPSC.gov/cpsc/pub/pubs/pool/pdf, Publication N° 362 « Safety Barrier Guidelines for Home Pools ».

1. The Sensible Way to Enjoy Your Aboveground/Onground Swimming Pool.
2. Children Aren't Waterproof.
3. Layers of Protection.
4. Pool and Spa Emergency Procedures for Infants and Children.
5. Be Safety Aware Copies of the above brochures are available free from the APSP. Allez sur : www.APSP.org.

Des matériels et programmes éducatifs d'information sur la sécurité (c.-à-d. des séminaires, ateliers, brochures, vidéos, guides) sont disponibles auprès de l'APSP, d'autres organismes de sécurité aquatique et de sociétés privées. Comme moyen de communication des informations de sécurité utiles aux opérateurs/propriétaires et utilisateurs de piscine, les industriels membres sont autorisés à fournir de telles informations aux opérateurs/propriétaires et à demander ou exiger que les opérateurs/propriétaires signent une déclaration indiquant qu'ils ont reçu, lu et respecteront les recommandations.

Autres sources d'information de sécurité :

- www.cdc.gov
- www.cpsc.gov
- www.drowningpreventionalliance.com
- www.nspf.org
- www.safekids.org

ANSI American National Standards Institute

25 West 43rd Street, New York NY 10036

Contact: 212-642-4900

www.ansi.org

APSP Association of Pool & Spa Professionals

(anciennement appelé National Spa and Pool Institute)

2111 Eisenhower Avenue, Alexandria VA 22314

Contact: 703-838-0083

www.apsp.org/164/index.aspx.

NSPI National Spa and Pool Institute (ss APSP) UL Underwriters Laboratories

333 Pfingsten Road, Northbrook IL 60062-2096

Contact: 847-272-8800

www.ul.com

NSF NSF International

789 N. Dixboro Rd,

P.O. Box 130140

Ann Arbor MI 48113-0140

734-769-8010

www.nsf.org

ASTM ASTM International (anciennement appelé American Society of Testing & Materials)

100 Barr Harbor Drive, West Conshohocken, PA 19428-2959

Contact: 610-832-9585

610-832-9555 (fax)

www.astm.org

NEC National Electrical Code (see NFPA)

NFPA National Fire Protection Association

1 Batterymarch Park, Quincy MA 02269

Contact: 617-770-3000

www.nfpa.org

ASME American Society of Mechanical Engineers

3 Park Avenue, New York NY 10016

Contact: 212-591-8562

www.asme.org

Si vous rencontrez des difficultés, prenez contact avec notre service après-vente au (888) 919-0070 de 8h à 17h du lundi au vendredi MST. Les journées et les heures sont susceptibles d'être prolongées pendant la haute saison.

Systemes de Filtration

Tout équipement raccordé au système de circulation doit être positionnés en sorte de ne pas pouvoir être utilisé comme moyen d'accès à la piscine par les jeunes enfants. (Voir la dernière édition publiée du ANSI/APSP-8 Model Barrier Code for Residential Swimming Pools, Spas, and Hot Tubs.)

Barrière

Une barrière est nécessaire pour fournir une protection contre les noyades et quasi-noyades potentielles, mais les barrières ne sont pas un substitut à la supervision constante des enfants. (Voir la dernière édition publiée du ANSI/APSP-8 Model Barrier Code for Residential Swimming Pools, Spas, and Hot Tubs.)

Risques de Noyade et de Piégeage, et Accidents de Plongeon

Des publications sont disponibles décrivant les risques de noyade et de piégeage, et les accidents de plongeon. Les publications disponibles portant sur la sécurité des piscines comprennent les brochures de l'Association of Pool and Spa Professionals (APSP) intitulées : The Sensible Way to Enjoy Your Aboveground/ Onground Swimming Pool, Children Aren't Waterproof, Pool and Spa Emergency Procedures for Infants and Children, Layers of Protection, et la dernière édition publiée du ANSI/APSP-8 Model Barrier Code for Residential Swimming Pools, Spas, and Hot Tubs.

Responsabilités de l'installateur

Tous ces composants doivent être positionnés en sorte de ne pas pouvoir être utilisé comme moyen d'accès à la piscine par les jeunes enfants.

Tous les signaux de sécurité doivent être fixés plus haut que la ligne d'eau conformément aux instructions du fabricant.

(Voir la dernière édition publiée du ANSI/APSP-8 Model Barrier Code for Residential Swimming Pools, Spas, and Hot Tubs.)

LISTE DES PIÈCES

Piscine Tubulaire Métallique	1			2		3		4		5		6		7	
	Liner de Piscine			Poutre Horizontale		Jambe Verticale		Jonction en T		Capuchon de Jambe		Goupille et Virole (+ 2 de rechange)		Goupille préinstallée en V - Forme ressort	
Dimensions de la piscine	N° de Pièce		Qté	N° de Pièce	Qté	N° de Pièce	Qté	N° de Pièce	Qté	N° de Pièce	Qté	N° de Pièce	Qté	N° de Pièce	Qté
08'x30"	P20008301099	P20008303099	x1	P5A1A0001W01	x8	P5A2A0001W01	x8	P5A3A0000W01	x8	P5APF1450K01	x8	P5A149144W02	x18	P5APF121BW01	x9
10'x30"	P20010301099	P20010303099	x1	P5A1A0001W01	x10	P5A2A0001W01	x10	P5A3A0001W01	x10	P5APF1450K01	x10	P5A149144W02	x22	P5APF121BW01	x11
10'x42"	P20010421099	P20010423099	x1	P5A1A0001W01	x10	P5A2A0014W01	x10	P5A3A0001W01	x10	P5APF1450K01	x10	P5A149144W02	x22	P5APF121BW01	x11
11'x30"	P20011301099	P20011303099	x1	P5A1A0001W01	x11	P5A2A0001W01	x11	P5A3A0002W01	x11	P5APF1450K01	x11	P5A149144W02	x24	P5APF121BW01	x12
12'x30"	P20012301099	P20012303099	x1	P5A1A0001W01	x12	P5A2A0001W01	x12	P5A3A0003W01	x12	P5APF1450K01	x12	P5A149144W02	x26	P5APF121BW01	x13
12'x30"	P20012305099	-	x1	P5A1A0001G02	x12	P5A2A0001G02	x12	P5A3A0003G02	x12	P5APF1450G8U	x12	P5A149144G8U	x26	P5APF121BG8U	x13
12'x33"	P20012331099	P20012333099	x1	P5A1A0001W01	x12	P5A2A0012W01	x12	P5A3A0003W01	x12	P5APF1450K01	x12	P5A149144W02	x26	P5APF121BW01	x13
12'x36"	P20012361099	P20012363099	x1	P5A1A0001W01	x12	P5A2A0002W01	x12	P5A3A0003W01	x12	P5APF1450K01	x12	P5A149144W02	x26	P5APF121BW01	x13
12'x39"	P20012391099	P20012393099	x1	P5A1A0001W01	x12	P5A2A0003W01	x12	P5A3A0003W01	x12	P5APF1450K01	x12	P5A149144W02	x26	P5APF121BW01	x13
12'x48"	P20012481099	P20012483099	x1	P5A1A0002W01	x12	P5A2A0008W01	x12	P5A3A0004W01	x12	P5APF1450K01	x12	P5A149144W02	x26	P5APF121BW01	x13
12'x52"	P20012521099	P20012523099	x1	P5A1A0002W01	x12	P5A2A0009W01	x12	P5A3A0004W01	x12	P5APF1450K01	x12	P5A149144W02	x26	P5APF121BW01	x13
13'x30"	P20013301099	P20013303099	x1	P5A1A0001W01	x13	P5A2A0001W01	x13	P5A3A0001W01	x13	P5APF1450K01	x13	P5A149144W02	x28	P5APF121BW01	x14
13'x33"	P20013331099	P20013333099	x1	P5A1A0001W01	x13	P5A2A0010W01	x13	P5A3A0001W01	x13	P5APF1450K01	x13	P5A149144W02	x28	P5APF121BW01	x14
13'x39"	P20013391099	P20013393099	x1	P5A1A0001W01	x13	P5A2A0003W01	x13	P5A3A0001W01	x13	P5APF1450K01	x13	P5A149144W02	x28	P5APF121BW01	x14
13'x52"	P20013521099	P20013523099	x1	P5A1A0002W01	x13	P5A2A0006W01	x13	P5A3A0004W01	x13	P5APF0490K01	x13	P5A120144W01	x28	P5APF121AW01	x14
14'x36"	P20014361099	P20014363099	x1	P5A1A0002W01	x14	P5A2A0004W01	x14	P5A3A0004W01	x14	P5APF0490K01	x14	P5A120144W01	x30	P5APF121AW01	x15
14'x42"	P20014421099	P20014423099	x1	P5A1A0002W01	x14	P5A2A0005W01	x14	P5A3A0004W01	x14	P5APF0490K01	x14	P5A120144W01	x30	P5APF121AW01	x15
14'x52"	P20014521099	P20014523099	x1	P5A1A0002W01	x14	P5A2A0006W01	x14	P5A3A0004W01	x14	P5APF0490K01	x14	P5A120144W01	x30	P5APF121AW01	x15
15'x33"	P20015331099	P20015333099	x1	P5A1A0002W01	x15	P5A2A0016W01	x15	P5A3A0005W01	x15	P5APF0490K01	x15	P5A120144W01	x32	P5APF121AW01	x16
15'x42"	P20015421099	P20015423099	x1	P5A1A0002W01	x15	P5A2A0005W01	x15	P5A3A0005W01	x15	P5APF0490K01	x15	P5A120144W01	x32	P5APF121AW01	x16
15'x46"	P20015461099	P20015463099	x1	P5A1A0002W01	x15	P5A2A0011W01	x15	P5A3A0005W01	x15	P5APF0490K01	x15	P5A120144W01	x32	P5APF121AW01	x16
15'x48"	P20015481099	P20015483099	x1	P5A1A0002W01	x15	P5A2A0008W01	x15	P5A3A0005W01	x15	P5APF0490K01	x15	P5A120144W01	x32	P5APF121AW01	x16
15'x52"	P20015521099	P20015523099	x1	P5A1A0002W01	x15	P5A2A0009W01	x15	P5A3A0005W01	x15	P5APF0490K01	x15	P5A120144W01	x32	P5APF121AW01	x16
16'x42"	P20016421099	P20016423099	x1	P5A1A0002W01	x16	P5A2A0007W01	x16	P5A3A0006W01	x16	P5APF0490K01	x16	P5A120144W01	x34	P5APF121AW01	x17
16'x48"	P20016481099	P20016483099	x1	P5A1A0002W01	x16	P5A2A0008W01	x16	P5A3A0006W01	x16	P5APF0490K01	x16	P5A120144W01	x34	P5APF121AW01	x17
16'x52"	P20016521099	P20016523099	x1	P5A1A0002W01	x16	P5A2A0009W01	x16	P5A3A0006W01	x16	P5APF0490K01	x16	P5A120144W01	x34	P5APF121AW01	x17
17'x48"	P20017481099	P20017483099	x1	P5A1A0002W01	x17	P5A2A0008W01	x17	P5A3A0007W01	x17	P5APF0490K01	x17	P5A120144W01	x36	P5APF121AW01	x18
17'x52"	P20017521099	P20017523099	x1	P5A1A0002W01	x17	P5A2A0009W01	x17	P5A3A0007W01	x17	P5APF0490K01	x17	P5A120144W01	x36	P5APF121AW01	x18
18'x42"	P20018421099	P20018423099	x1	P5A1A0002W01	x18	P5A2A0007W01	x18	P5A3A0008W01	x18	P5APF0490K01	x18	P5A120144W01	x38	P5APF121AW01	x19
18'x48"	P20018481099	P20018483099	x1	P5A1A0002W01	x18	P5A2A0008W01	x18	P5A3A0008W01	x18	P5APF0490K01	x18	P5A120144W01	x38	P5APF121AW01	x19
18'x52"	P20018521099	P20018523099	x1	P5A1A0002W01	x18	P5A2A0009W01	x18	P5A3A0008W01	x18	P5APF0490K01	x18	P5A120144W01	x38	P5APF121AW01	x19
20'x48"	P20020481099	P20020483099	x1	P5A1A0002W01	x20	P5A2A0008W01	x20	P5A3A0009W01	x20	P5APF0490K01	x20	P5A120144W01	x42	P5APF121AW01	x21
24'x48"	P20024481099	P20024483099	x1	P5A1A0002W01	x24	P5A2A0008W01	x24	P5A3A0010W02	x24	P5APF0490K01	x24	P5A120144W01	x50	P5APF121AW01	x25
24'x52"	P20024521099	P20024520099	x1	P5A1A0002W01	x24	P5A2A0009W01	x24	P5A3A0010W02	x24	P5APF0490K01	x24	P5A120144W01	x50t	P5APF121AW01	x25

Si vous rencontrez des difficultés, prenez contact avec notre service après-vente au (888) 919-0070 de 8h à 17h du lundi au vendredi MST. Les journées et les heures sont susceptibles d'être prolongées pendant la haute saison.

INSTRUCTIONS D'INSTALLATION

Avant d'assembler votre produit, prenez quelques minutes pour contrôler le contenu de l'emballage et vous familiariser avec toutes les pièces.

⚠ AVERTISSEMENT - NE REMPLISSEZ PAS excessivement la piscine et/ou n'autorisez personne à s'appuyer ou à s'asseoir sur la paroi de la piscine – CELA PEUT PROVOQUER DES BLESSURES IRRÉVERSIBLES ! Après une pluie importante, VIDEZ l'eau de la piscine jusqu'à un niveau approprié.

CONSEIL: Il est beaucoup plus facile d'installer votre piscine si vous la dépliez et l'étendez à la lumière directe sur soleil pendant 2 heures avant son installation. Cela favorise une installation sans plis, car cela assouplit le matériau de la piscine, ce qui lui permet de mieux épouser la forme requise pendant l'installation.

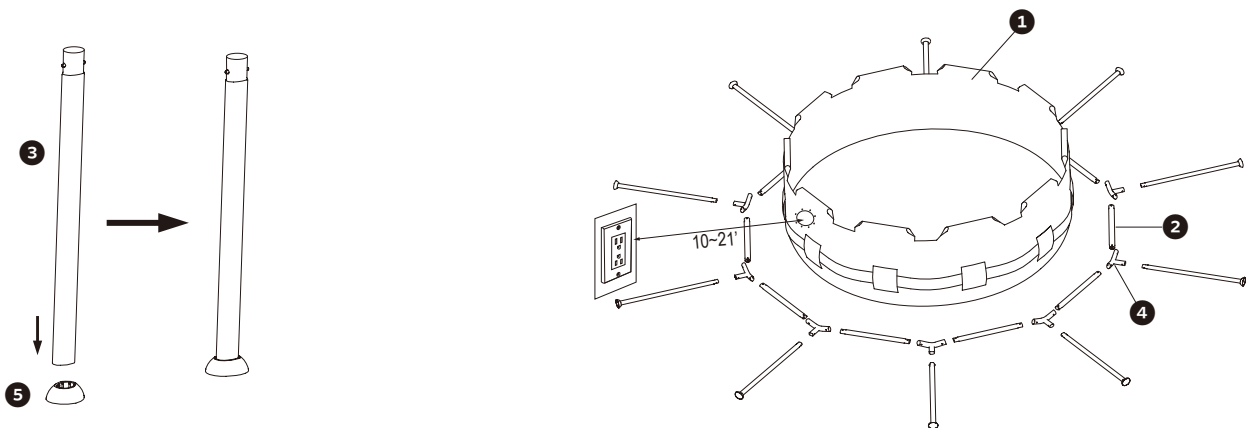
AVERTISSEMENT - TRÈS IMPORTANT ! LE SITE D'INSTALLATION DOIT ÊTRE UN SOL COMPACTÉ, STABLE ET HORIZONTAL.

- Cette piscine doit être assemblée sur un sol ferme, horizontal, lisse et exempt de pierres, gravier, bâtons, bitume et autre composé d'hydrocarbure. N'installez pas la piscine sur une plateforme en bois ni aucun type de surface en bois. Vous ne devez pas utiliser de sable et/ou de sol non compacté pour obtenir une surface nivelée/horizontale sur laquelle installer cette piscine, car ce type de surface sera emportée par l'eau.
- NE PAS RESPECTER LES INSTRUCTIONS SUIVANTES PROVOQUERA L'EFFONDREMENT DE LA PISCINE ET ANNULERA LA GARANTIE !

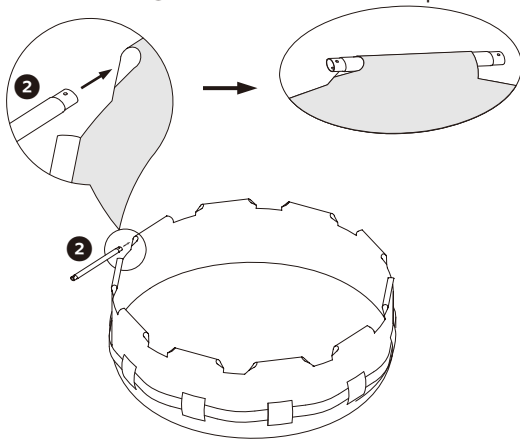
1. Sélectionnez une aire horizontale et totalement exempte de débris, branches, pierres, etc. NE SÉLECTIONNEZ PAS un endroit surplombé par des lignes électriques, des arbres ou se trouvant à moins de 4,6 m (15') d'une maison, d'un bâtiment, etc.
2. La piscine doit être placée à une distance minimale de 1,83 m (6') de toute prise électrique.
3. Toutes les prises électriques de 125 V, 15 A et 20 A présentes à moins de 6,0 m (20') de la piscine doivent être protégées par un disjoncteur différentiel de fuite à la terre (DDFT). La distance de 6 m (20') doit être mesurée par la ligne droite la plus courte que suivrait le câble d'alimentation sans percer de sol, de mur, de plafond, de porte, de fenêtre, ni aucun autre obstacle.
4. Contactez les fournisseurs locaux d'électricité, d'eau et de gaz pour vérifier qu'il n'y a pas de câbles sous terrain, de lignes téléphoniques, de conduites de gaz, etc., sous la zone que vous avez sélectionnée.

Instructions d'installation

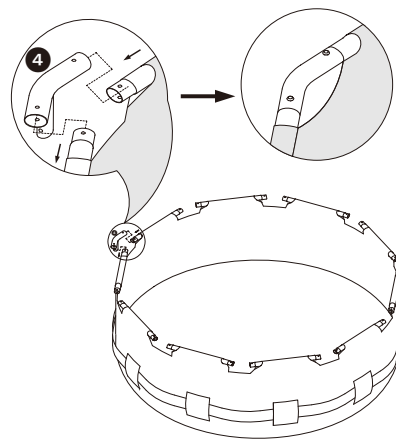
1. Choisissez une aire plane et horizontale pour installer la piscine. Veillez à ce que le sol soit exempt d'objets coupants, car ils pourraient percer la piscine.
2. SOULEVEZ le liner de la piscine au-dessus du sol. NE FAITES PAS TRAÎNER le liner d'un endroit à l'autre.
3. Positionnez la piscine en sorte que l'ouverture pour la pompe soit éloignée de 3 à 6,4 m (10~21') de la prise électrique.
4. Insérez une jambe verticale ❸ dans chaque capuchon de jambe ❺.
5. Étalez toutes les pièces sur le sol comme montré ci-dessous.



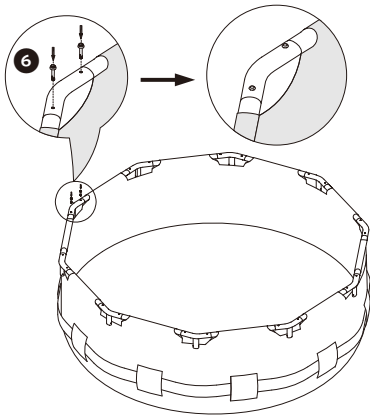
6. Insérez délicatement les poutres horizontales **2** dans les manchons de la piscine.



7. Assemblez les jonctions en T **4** aux poutres horizontales **2**.

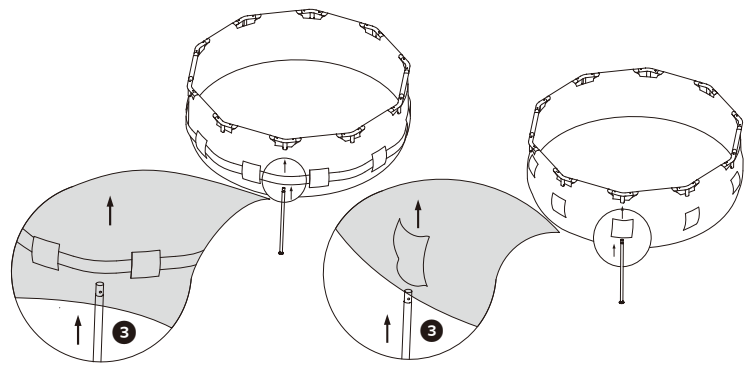


8. Insérez les goupilles **6** dans le haut des jonctions en T jusqu'à ce qu'elles s'encastrent dans le côté inférieur des jonctions.

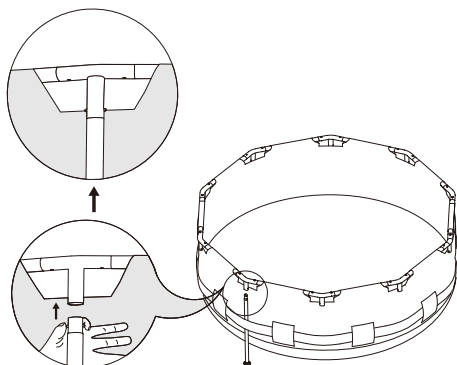


9. Insérez délicatement les jambes verticales **3** vers le bas dans la ceinture médiane de la piscine.

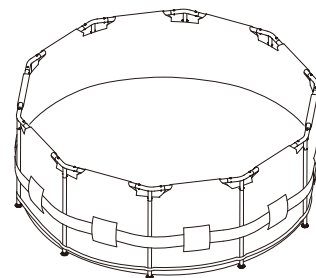
- Pour les piscines plus petites sans ceinture, insérez les jambes verticales dans les manchons de la paroi de la piscine.



10. Observez les trous des jonctions pendant l'insertion et tournez les jambes jusqu'à ce que les boutons s'alignent avec les trous et en ressortent en verrouillant les jambes.



11. Faites le tour de la piscine et vérifiez que toutes les fixations, jambes et tous les tubes de structure sont correctement assemblés et fixés. Vérifiez que le raccord de vidange est solidement assemblé et que le bouchon est en place.



12. Commencez par remplir la piscine avec de l'eau jusqu'à une profondeur de 2,54 cm (1"), puis arrêtez de la remplir et lissez les plis du fond de la piscine. Poussez l'intérieur de la piscine vers l'extérieur pour éliminer tous les plis en sorte que la piscine puisse se remplir de manière uniforme et plane.

SI PLUS DE 2,54 à 5 CM (1~2") D'EAU S'ACCUMULENT SUR L'UN DES CÔTÉS DE LA PISCINE AVANT QUE SON CENTRE NE COMMENCE À SE REMPLIR, CELA INDIQUE QUE LA PISCINE N'EST PAS SUFFISAMMENT HORIZONTALE, CE QUI DOIT ÊTRE CORRIGÉ.

Si vous rencontrez des difficultés, prenez contact avec notre service après-vente au (888) 919-0070 de 8h à 17h du lundi au vendredi MST. Les journées et les heures sont susceptibles d'être prolongées pendant la haute saison.

ENTRETIEN ET VIDANGE DE LA PISCINE

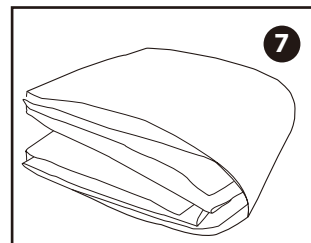
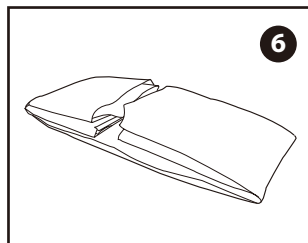
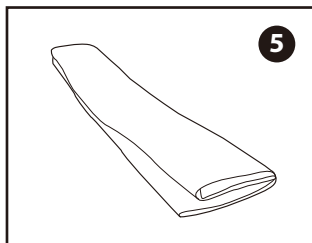
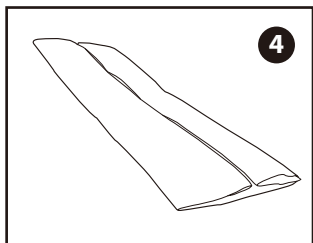
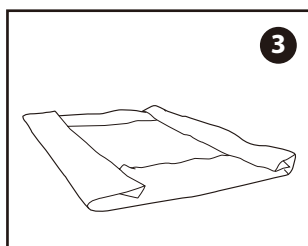
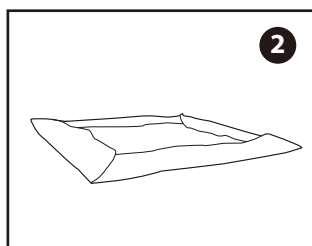
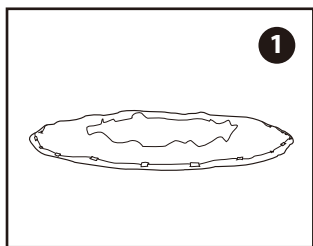
ATTENTION: RESPECTEZ TOUJOURS LES INSTRUCTIONS DES FABRICANTS DES PRODUITS DE TRAITEMENT ET LES MISES EN GARDE SANITAIRES ET DE SÉCURITÉ.

Ne mettez pas de produit chimique de traitement dans la piscine quand des personnes s'y trouvent. Cela peut provoquer des irritations oculaires et cutanées. Les solutions chlorées concentrées peuvent détériorer le liner de la piscine. En aucun cas, Polygroup®, l'acheteur ou une autre partie n'est responsable des coûts associés à des pertes d'eau de piscine, de produits de traitement ou de dommages dus à l'eau. Veillez à toujours avoir des cartouches filtrantes de recharge à disposition. Remplacez les cartouches filtrantes toutes les deux semaines. Nous recommandons d'utiliser une Pompe Filtrante Polygroup® avec toutes nos piscines hors-sol. Pour acheter une Pompe Filtrante ou d'autres accessoires Polygroup®, rendez-vous sur notre site Internet ou contactez le service client Polygroup®.

PLUIE EXCESSIVE: Pour éviter que la piscine ne soit trop remplie et endommagée, videz immédiatement l'eau de pluie ayant provoqué une élévation du niveau d'eau au-dessus du niveau maximum.

Vidange de la Piscine et Stockage de Long Terme

1. Prenez connaissance des réglementations locales concernant l'évacuation de l'eau des piscines.
2. Vérifiez que le bouchon de vidange à l'intérieur de la piscine est fermé.
3. Dévissez le capuchon de la vanne de vidange sur la paroi externe de la piscine.
4. Raccordez un tuyau d'arrosage de 1,58 cm (5/8") sur la vanne de vidange.
5. Placez l'autre extrémité du tuyau d'arrosage dans une zone où l'eau peut être évacuée sans danger à l'écart de la maison et des autres structures proches.
6. Retirez le bouchon interne pour commencer à vider la piscine.
7. Quand l'eau s'arrête de s'écouler hors de la piscine, soulevez le côté de la piscine opposé à l'orifice de vidange pour évacuer l'eau restante vers l'orifice de vidange et vider complètement la piscine.
8. Refermez le couvercle de vidange sur l'extérieur de la piscine.
9. Dégonflez complètement le boudin supérieur et retirez toutes les pièces d'installation.
10. Veillez à ce que la piscine et toutes les pièces soient complètement sèches avant de les ranger. Séchez le liner à l'air libre au soleil jusqu'à ce qu'il soit complètement sec avant de le plier (Image 1). Saupoudrez un peu de talc pour empêcher le vinyle de coller et pour absorber l'humidité résiduelle.
11. Formez un carré avec le liner. Commencez par un côté, repliez un sixième du liner sur lui-même deux fois. Effectuez la même procédure sur le côté opposé (Images 2 et 3).
12. Après avoir plié les deux côtés opposés, repliez-les simplement l'un sur l'autre comme si vous fermiez un livre (Images 4 et 5).
13. Repliez les deux extrémités longues vers le centre (Image 6).
14. Repliez-les l'une sur l'autre comme si vous fermiez un livre, puis compactez le liner (Image 7).
15. Rangez le liner et les accessoires dans un endroit de stockage sec où la température est régulée entre 0 °C et 40 °C (32 °F~104 °F).
16. L'emballage d'origine peut être utilisé pour le stockage.



HIVERNAGE ET STOCKAGE DE LA PISCINE

Hivernage de Votre Piscine Hors-sol

Après utilisation, vous pouvez facilement vider et ranger votre piscine dans un endroit sûr. Néanmoins, certains propriétaires de piscine peuvent choisir de la laisser installée toute l'année. Dans les régions froides, s'il y a des températures inférieures à 0 °C, il y a un risque que le gel détériore votre piscine. Nous vous recommandons de vider, de démonter et de ranger correctement la piscine quand la température devient inférieure à 0 °C (32 °F).

Nettoyage Complet de l'Eau de la Piscine

1. Nettoyez complètement l'eau de la piscine.
2. Retirez le skimmer (si applicable) et tous les accessoires fixés sur le raccord de la crépine filetée. Remplacez la grille de crépine si nécessaire. Vérifiez que tous les accessoires sont propres et complètement secs avant de les ranger.
3. Installez les raccords d'entrée et de sortie sur l'intérieur de la piscine avec les bouchons fournis (tailles de 4,9 m (16') et inférieures). Fermez les vannes d'arrêt d'entrée et de sortie (tailles de 5,2 m (17') et supérieures).
4. Retirez l'échelle (si applicable) et rangez-la dans un endroit sûr. Vérifiez que l'échelle est complètement sèche avant de la ranger.
5. Retirez les tuyaux de raccordement de la pompe et du filtre à la piscine.
6. Ajoutez les produits de traitement appropriés à l'hiver. Consultez le distributeur de piscine local pour savoir quels produits de traitement utiliser et comment les utiliser. Cela peut fortement varier selon la région.
7. Recouvrez la piscine avec une Couverture de Piscine Polygroup®. REMARQUE IMPORTANTE : LA COUVERTURE DE PISCINE Polygroup® N'EST PAS UNE COUVERTURE DE SÉCURITÉ.
8. Nettoyez et videz la pompe, le boîtier du filtre et les tuyaux. Retirez et jetez la cartouche filtrante usagée. Conservez une cartouche de rechange pour la saison suivante.
9. Rangez les pièces de filtration et la pompe en intérieur dans un endroit sec et sûr, où la température est de préférence comprise entre 0 °C et 40 °C (32 °F~104 °F).

SIGNALISATION DE SÉCURITÉ DE LA PISCINE

AFFICHEZ CES MISES EN GARDE PRÈS DE VOTRE PISCINE



AVERTISSEMENT

NE PAS PLONGER OU SAUTER DANS L'EAU PEU PROFONDE

**PLONGER PEUT PROVOQUER DES BLESSURES
IRRÉVERSIBLES OU LA MORT**



- Soyez prudent. Nagez avec un ami.
- Les enfants doivent être accompagnés par un adulte.
- Ne nagez pas après avoir consommé de l'alcool ou des médicaments.
- Familiarisez-vous avec la piscine avant de nager.
- Ne pas courir, ne pas sauter et ne pas chahuter dans ou autour de la piscine.
- Il ne doit pas y avoir de verre dans la zone de la piscine.



**POUR ÉVITER LES BLESSURES GRAVES, TOUS LES UTILISATEURS DE LA PISCINE DOIVENT CONNAÎTRE ET
RESPECTER CES RÈGLES DE SÉCURITÉ.**

SÉCURITÉ DES COUVERTURES DE PISCINE

SI VOUS COMPTEZ UTILISER UNE COUVERTURE DE PISCINE, UNE COUVERTURE SOLAIRE OU UNE BÂCHE SOLAIRE, LISEZ LES CONSIGNES SUIVANTES.

MISES EN GARDE CONCERNANT LES COUVERTURES DE PISCINE ET LES COUVERTURES SOLAIRES

AVERTISSEMENT

ÉVITER LE RISQUE DE NOYADE

RESTER HORS DE LA COUVERTURE – ELLE NE PEUT PAS SUPPORTER DE POIDS. MAINTENIR LES ENFANTS ÉLOIGNÉS. LES ENFANTS ET LES OBJETS NE SONT PAS VISIBLES SOUS LA COUVERTURE.

ÉLIMINER LES POCHE D'EAU – LES ENFANTS PEUVENT SE NOYER SUR LA COUVERTURE.

RETIRER COMPLÈTEMENT LA COUVERTURE AVANT L'ENTRÉE DES BAIGNEURS – RISQUE DE PIÉGEAGE. LAS CUBIERTAS MAL ASEGURADAS O NO ASEGURADAS SON UN PELIGRO.

LES COUVERTURES NON ATTACHÉES OU INCORRECTEMENT ATTACHÉES SONT DANGEREUSES.

NE PAS RESPECTER TOUTES LES CONSIGNES PEUT PROVOQUER DES BLESSURES OU LA NOYADE.

CECI N'EST PAS UNE COUVERTURE DE SÉCURITÉ.

CLASSIFICATION : COUVERTURE DE TYPE OC. INSTALLER LA COUVERTURE AVEC LES MARQUAGES SUR LE DESSUS.

UTILISER UNE CORDE POUR ATTACHER LA COUVERTURE À LA PISCINE. CETTE COUVERTURE S'ATISFAIT AUX EXIGENCES DÉCRITES DANS LES SPÉCIFICATIONS F-1346 (ASTM).

MISES EN GARDE CONCERNANT LES BÂCHES SOLAIRES

AVERTISSEMENT

ÉVITER LE RISQUE DE NOYADE

RESTER HORS DE LA COUVERTURE – ELLE NE PEUT PAS SUPPORTER DE POIDS. MAINTENIR LES ENFANTS ÉLOIGNÉS. LES ENFANTS ET LES OBJETS NE SONT PAS VISIBLES SOUS LA COUVERTURE.

ÉLIMINER LES POCHE D'EAU – LES ENFANTS PEUVENT SE NOYER SUR LA COUVERTURE.

RETIRER COMPLÈTEMENT LA COUVERTURE AVANT L'ENTRÉE DES BAIGNEURS – RISQUE DE PIÉGEAGE. LAS CUBIERTAS MAL ASEGURADAS O NO ASEGURADAS SON UN PELIGRO.

LES COUVERTURES NON ATTACHÉES OU INCORRECTEMENT ATTACHÉES SONT DANGEREUSES.

NE PAS RESPECTER TOUTES LES CONSIGNES PEUT PROVOQUER DES BLESSURES OU LA NOYADE.

CECI N'EST PAS UNE COUVERTURE DE SÉCURITÉ.

CLASSIFICATION : COUVERTURE DE TYPE OC. INSTALLER LA COUVERTURE AVEC LES MARQUAGES SUR LE DESSUS.

UTILISER UNE CORDE POUR ATTACHER LA COUVERTURE À LA PISCINE. CETTE COUVERTURE S'ATISFAIT AUX EXIGENCES DÉCRITES DANS LES SPÉCIFICATIONS F-1346 (ASTM).

TRÈS IMPORTANT

NE PAS UTILISER DE COUVERTURE DE PISCINE, DE COUVERTURE SOLAIRE OU DE BÂCHE SOLAIRE SUR CETTE PISCINE S'IL N'Y A PAS CE TYPE DE MARQUAGE DE MISE EN GARDE SUR LA COUVERTURE.

DANGER:

La supervision compétente et la connaissance des exigences de sécurité sont la seule manière de prévenir la noyade ou des blessures irréversibles lors de l'utilisation de ce produit !
Ne jamais laisser les jeunes enfants sans surveillance.

