

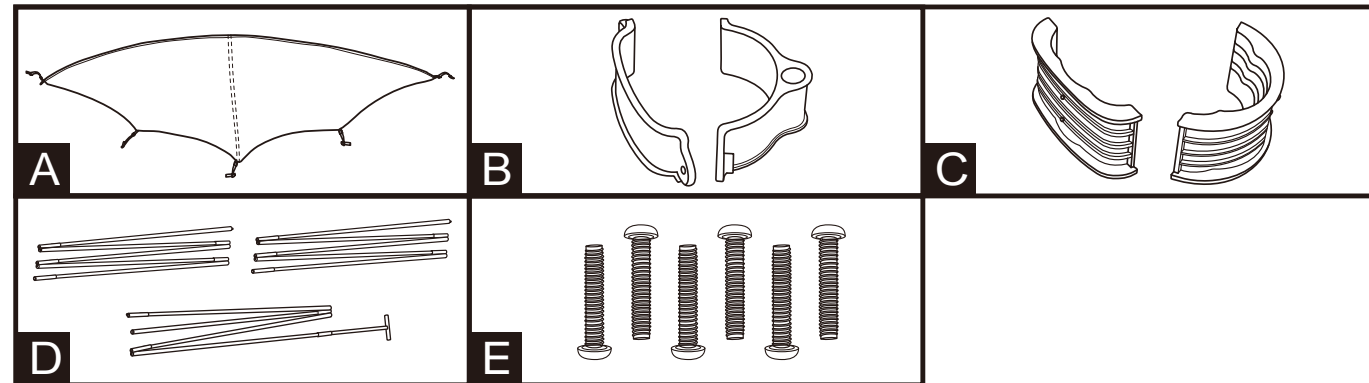
SET UP INSTRUCTION - CANOPY FOR FRAME POOL (14'- 16')

P10-0039

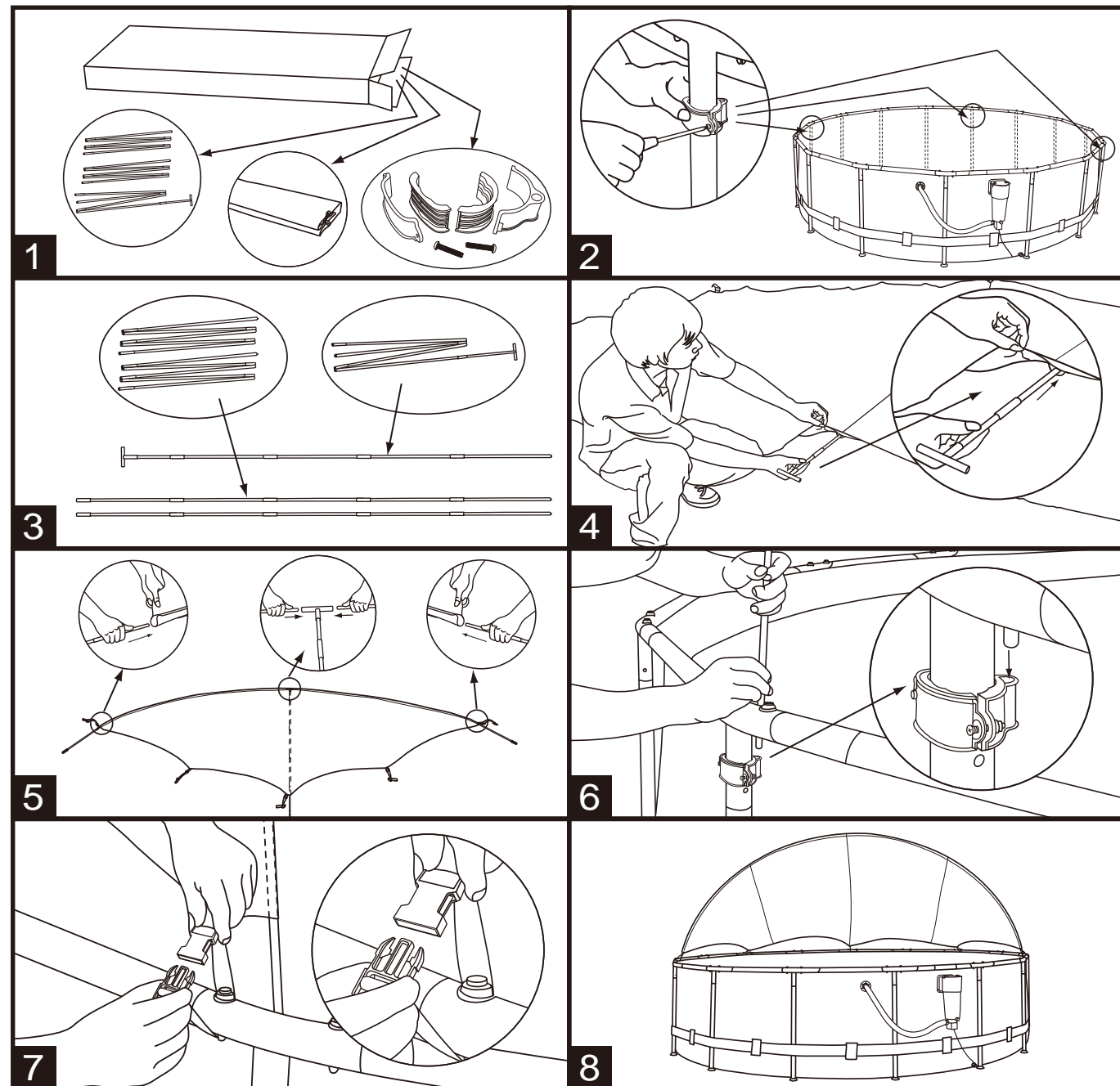


READ ALL INSTRUCTIONS BEFORE USE

PART LIST:



SET UP THE CANOPY:



SET UP INSTRUCTION - CANOPY FOR FRAME POOL (14'- 16')

P10-0039



READ ALL INSTRUCTIONS BEFORE USE

PART LIST:

(A) Canopy with sew-in straps and buckle	1 piece
(B) Metal Bracket	3 pairs
(C) Plastic inserts	3 pairs
(D) Fiber-glass Rod	3 sets
(E) Mounting Screw (Metric M-5)	6 pieces

SET UP THE CANOPY:

1. Tools Required: Philips Head Screw Driver

(i) Preparation:

- Two persons are required to set up this canopy.
- This canopy can be installed on frame pools of 14', 15' and 16' diameter. It fits frame of Round-shaped, Oval-shaped ("ProSeries™" by PolyPool®) and D-Shaped (Intex "UltraFrame").
- Set up the pool and fill water according to the pool manufacturers' instructions.
- Remove all parts from the packing.
- The canopy can only shade about 1/3 of the entire pool, choose where you would install the canopy. Most users prefer setup up the canopy on the west side of the pool in order to block more of the afternoon sunlight.

(ii) Remove all components from the packaging and laid them near the pool.

(iii) Installing the mounting brackets:

- 3 sets of mounting brackets (B,C) are included.
- If your frame pool are of round-shaped or oval-shaped (ProSeries™ by PolyPool®), put the plastic inserts (C) inside the metal brackets (B) before mounting on the pool. If you have a D-shaped frame (UltraFrame by Intex), the plastic inserts are not required. Mount the metal brackets (B) directly on the vertical tubes.

2. After you decided where to put up the canopy, install one bracket (B) on the vertical tube at approximately 1" below the T-tube joint. Use a Philips head screw driver to tighten the screws (E). The round hole must be facing the pool. Install the remaining brackets (B) on the 4th vertical tube on the left and right of the 1st vertical tube.

3. Extend the fiber glass rods (D), by strengthening them and insert the ends into the metal tubes.

4. Lay the canopy (A) on a flat surface with the Summer Escape™ logo facing upward. Insert the fiber-glass rod (D) with a T-joint at one end through the center opening of the canopy.

5. Insert the remaining fiber-glass rods (D) through the side openings and connect to the T-joint.

6. With the Summer Escape™ logo facing outward, insert the ends of the rods to the metal bracket (B).

7. Finally, attach the canopy (C) to the horizontal tube by buckling up 5 straps on the edge of the canopy.

8. Enjoy the Summer Fun!!!

⚠ WARNING:

- Remove the canopy when not in use.
- Remove the canopy during unfavorable weather, severe gust and rain storm could damage the canopy and cause personal injury.