

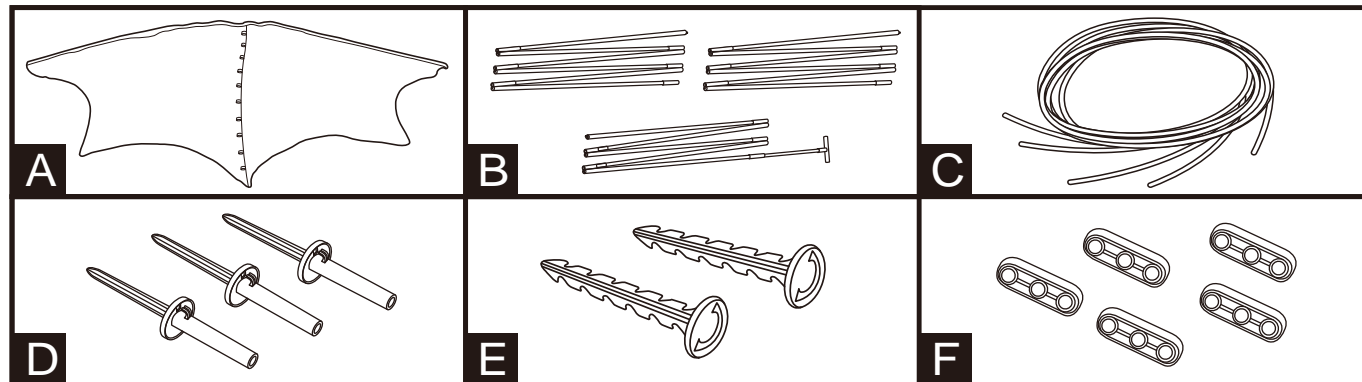
SET UP INSTRUCTION - CANOPY FOR RING POOL (8' - 12')

P10-0041

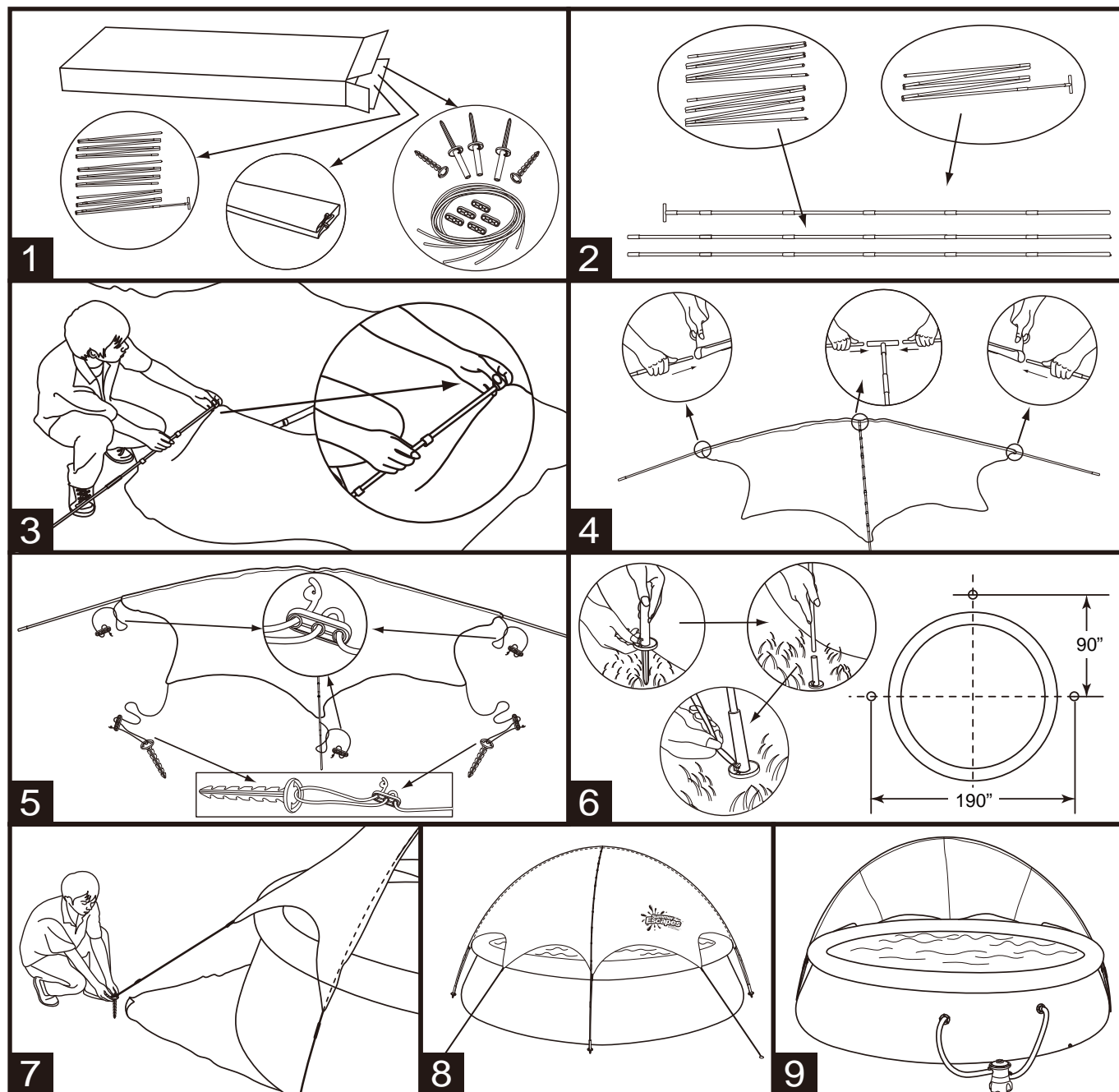


READ ALL INSTRUCTIONS BEFORE USE

PART LIST:



SET UP THE CANOPY:



SET UP INSTRUCTION - CANOPY FOR RING POOL (8' - 12')

P10-0041



READ ALL INSTRUCTIONS BEFORE USE

NOTE TO END USERS

- Tape measure and hammer are required to set up this product.
- This product is to be used with round ring pool (such as Summer Escape™ QuickSet® pool) of 8' - 12' diameter.

PART LIST:

(A) Canopy	1 piece
(B) Fiber-glass rods (one with T-joint)	3 pieces
(C) Rope	5 pieces
(D) Fiber-glass rod anchor	3 pieces
(E) Plastic stake	2 pieces
(F) Tension adjuster	5 pieces

SET UP INSTRUCTIONS:

1. Remove all components and parts from the package; place them on the ground next to the pool.
2. Extend the fiber-glass rods (B).
3. Lay the canopy (A) flat on the ground with the Summer Escape™ logo facing upward. Insert the fiber-glass rods (B) with the T-joint through the center opening of the canopy.
4. Insert the remaining fiber-glass rods (B) through the side openings of the canopy and connect tightly with the T-joint.
5. As shown in the Figure 5, attach the ropes (C) to the loops on the edge of the canopy. Attach the plastic stakes (E) and the tension adjusters (F) as shown.
6. Tuck the 3 fiber-glass rod anchors (D) in the ground as shown in the Figure 6. With the Summer Escape™ logo facing upward, set up the canopy by inserting the fiber-glass rods into the anchors (D). Attached the ropes (C) to the anchors (D) and tighten the ropes by using the tension adjuster (F).
7. Gently pull the remaining 2 ropes (C) to straighten out the canopy, tuck the plastic stakes (E) into the ground. Tighten the ropes (C) with the tension adjusters (F).
8. Tighten each ropes to straighten out the canopy (A). Reposition the anchors and stakes if necessary.
9. Enjoy the summer fun.

⚠ WARNING:

- Remove the canopy when the pool is not in use.
- Remove the canopy during unfavorable weather, severe gust and rain storm could damage the canopy and cause personal injury.