

Pool Repair Kit Instructions

NOTE: This kit is applicable for pools sold under Funsicle, Summer Waves, Summer Escapes, and other brands supplied by Polygroup.



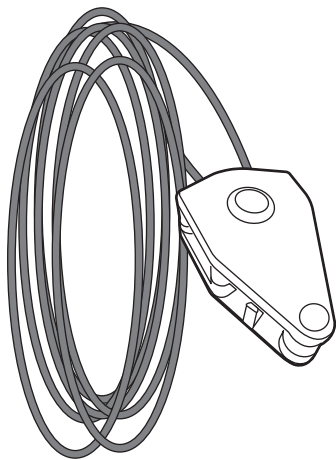
Scan the QR code for demo video.

⚠ WARNING:

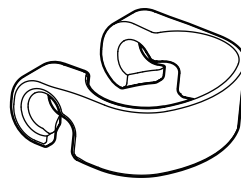
Drowning hazard. The pool uses a liner belt that a child may use as a foothold to access the pool. This repair is critical to prevent child access and potential drowning.

IMMEDIATELY install the repair, which will maintain the structural integrity of the pool without use of the liner belt.

CONTENTS OF REPAIR KIT



Rope and Tightener
x 1



Rope Holder
x 27



Cutter
x 1

NOTE: One rope holder is needed per vertical leg. Not all pools require all 27 holders.

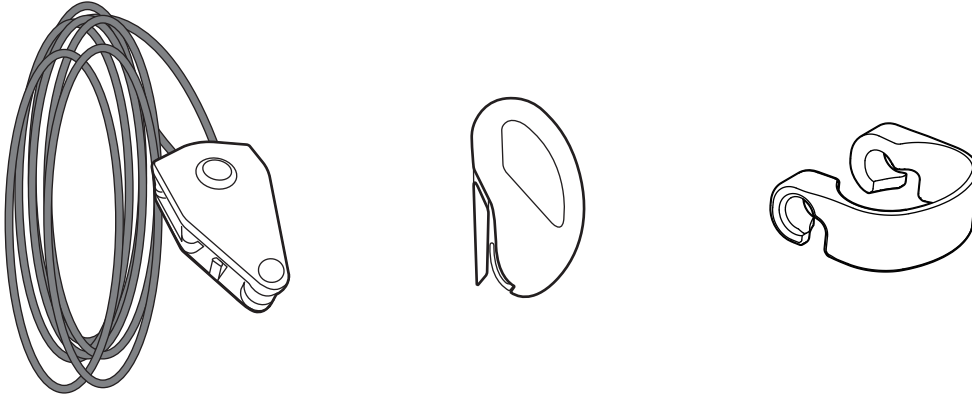
PREPARATION

Ensure the pool water is 4 inches above the suction and return fittings, and familiarize yourself with the new parts.

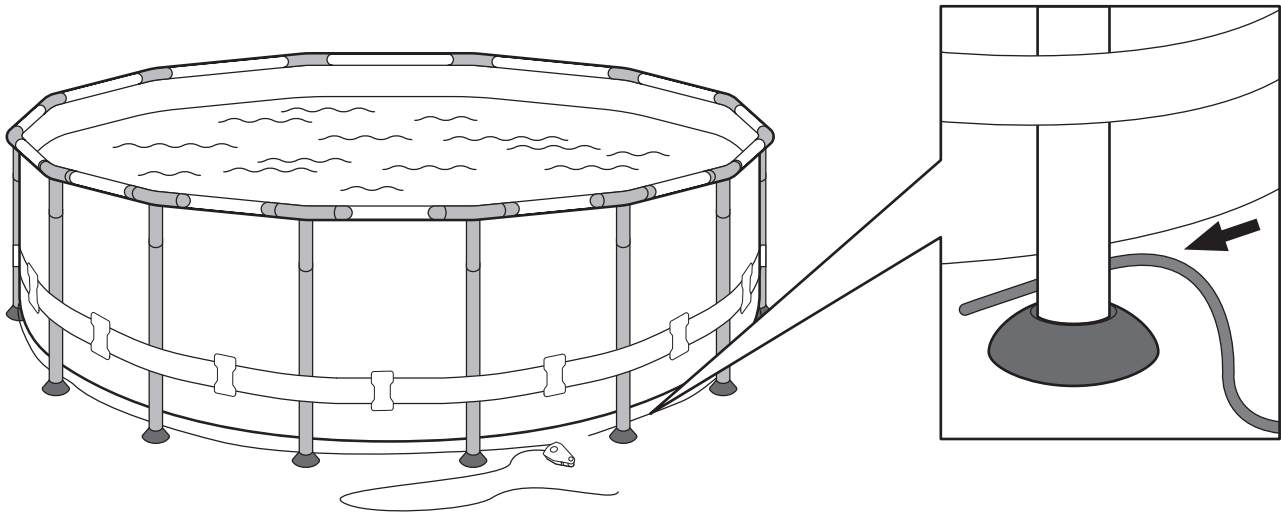
You will need a pair of scissors (not included).

INSTALLATION

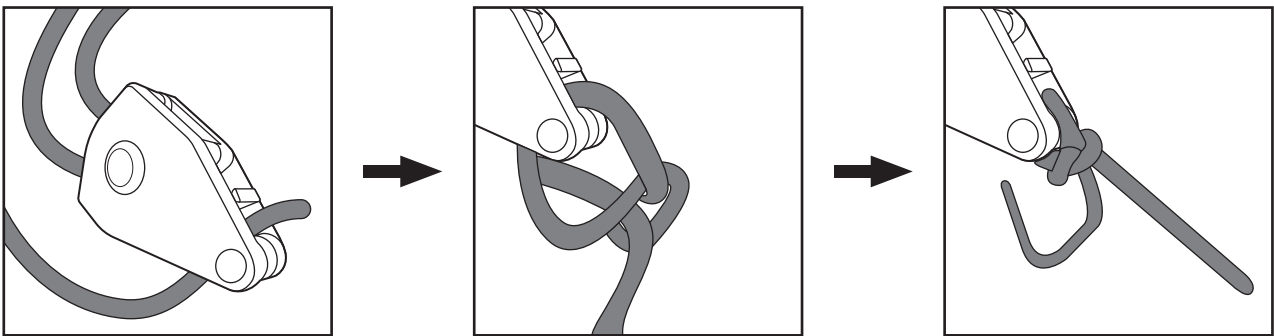
Step 1: Lay all parts on the ground next to your pool.



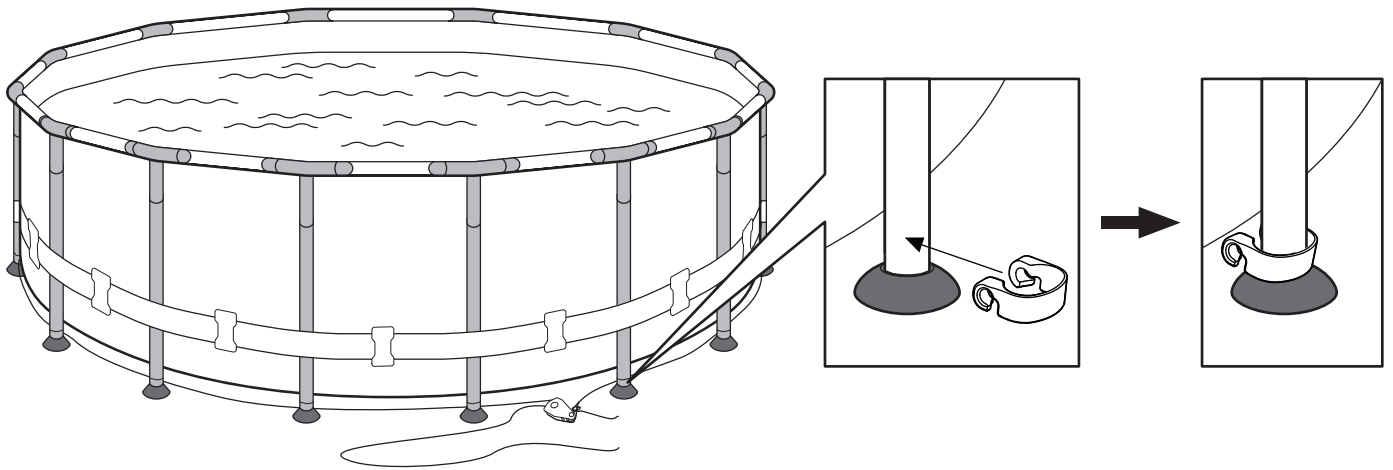
Step 2: Thread the rope behind each of the pool's vertical legs.



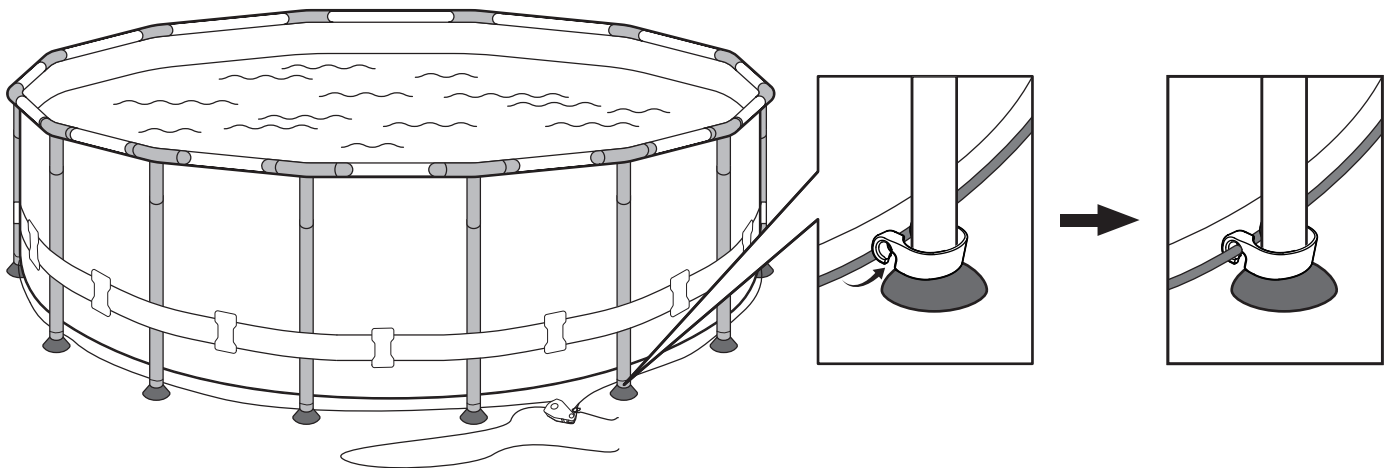
Step 3: Thread the rope through the empty end of the tightener, pull it through and tie the ends of the rope into a knot.



Step 4: Place a rope holder around each vertical leg's base. Ensure the rope holder openings face towards the pool liner.

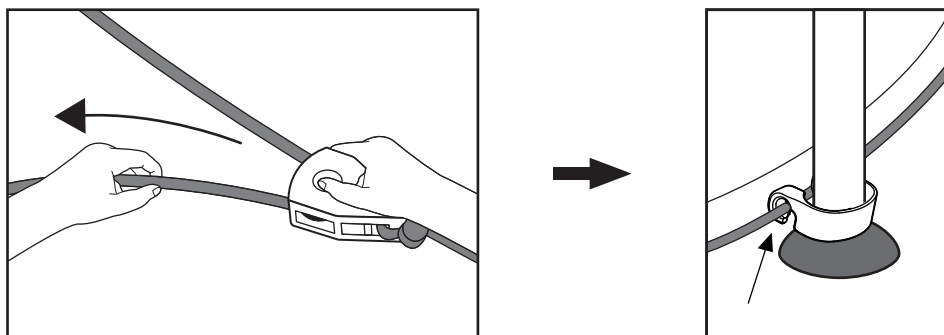


Step 5: Thread the rope through the bottom opening of each rope holder.

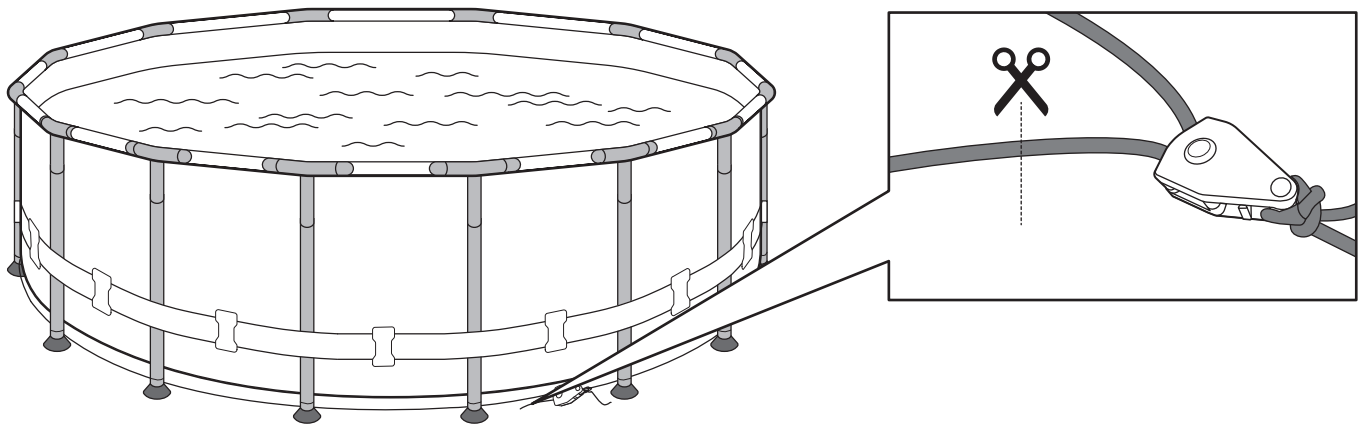


Step 6: Once finished, pull and fasten the remaining rope through the tightener.

Step 7: The rope around the pool should be taut through each rope holder. Check that each rope holder is still in the correct place. Press the sides of each rope holder to minimize gaps with the vertical leg.

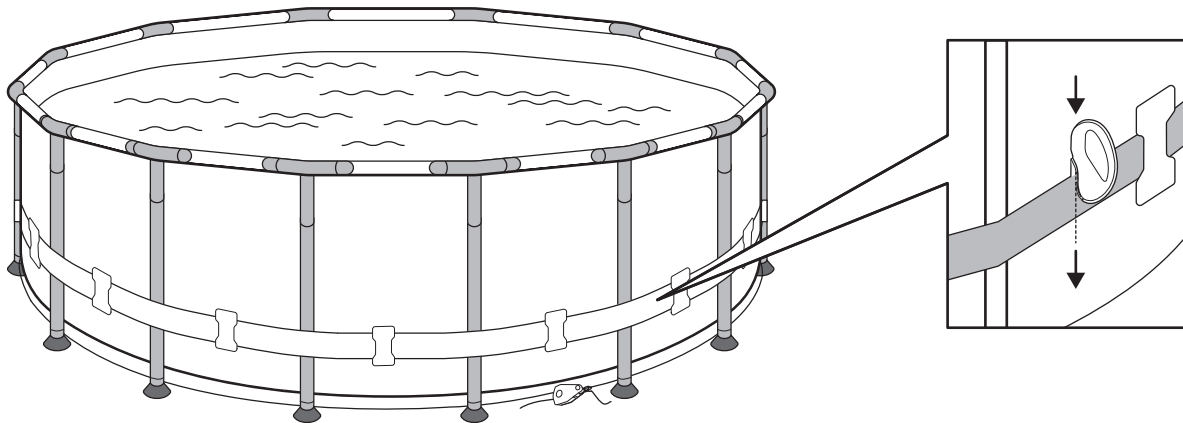


Step 8: Secure any remaining rope with a tight knot and cut away excess rope.

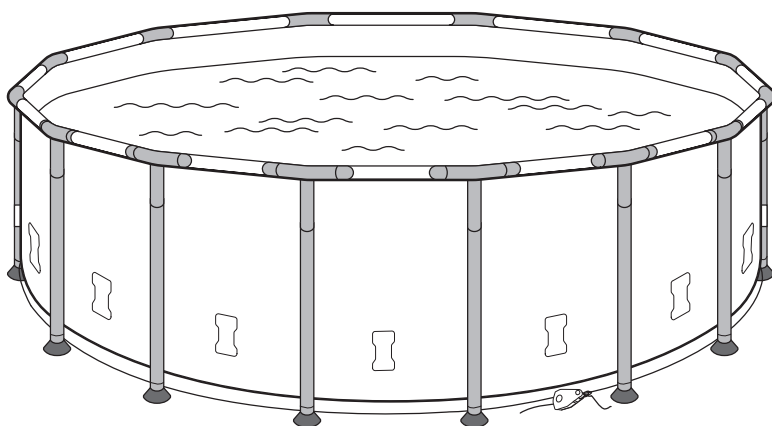


Step 9: Use the cutter provided to carefully cut open the liner belt.

- Cautions:**
- Do not puncture the liner.
 - Keep the cutter away from children.



Step 10: Remove the liner belt away from the pool.



To Loosen the Rope

Press the release latch on the smaller end of the tightener while gently pulling the rope.

