

# Use of the 1.25" to 1.5" Hose Adapter

**Note:** These instructions are only applicable if the Hose Adapters are included in the accessories pack of the filter pump packaging.

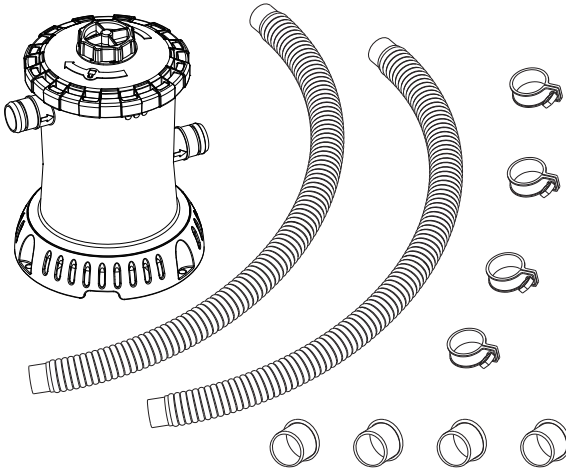
If the diameter of the Filter Pump Inlet/Outlet or Pool Fittings (1.25") do not match with the diameter of the hose (1.5"), take out the Hose Adapters from the accessories pack and follow the steps below for installation.

1. 1.25" to 1.5" Hose Adapter is shown below:



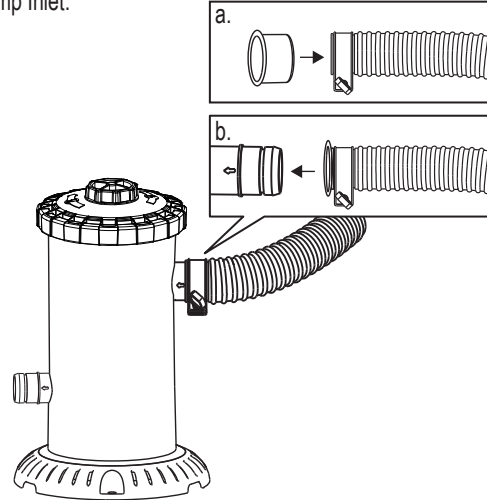
2. Installation Procedure:

1) Take out the Filter Pump Assembly, two Hoses, four Hose Clamps and four Hose Adapters.

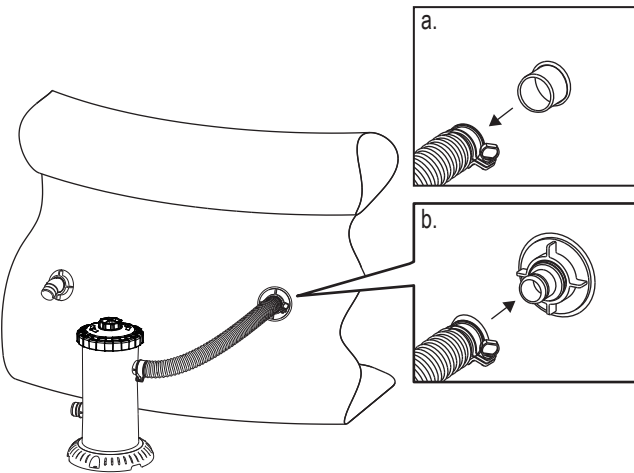


\* Filter pump image for reference only

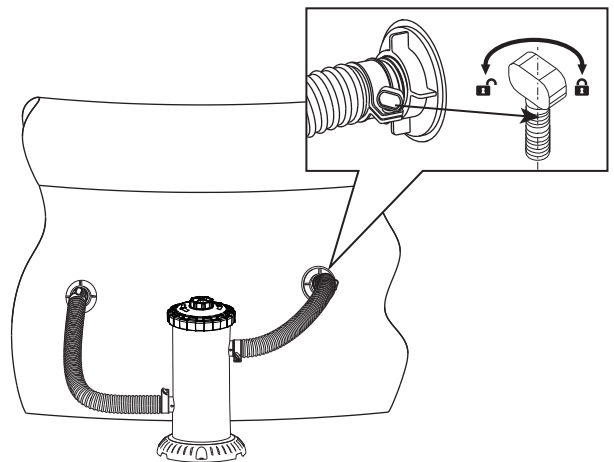
2) Add a Hose Clamp on each end of the hose. Insert a Hose Adapter to one end of the hose and then, connect the hose to the Filter Pump Inlet.



3) Insert another Hose Adapter to the other end of the hose and then, connect the hose to the Suction Fitting of the pool.



4) Tighten the Hose Clamps to prevent loosening and water leakage. Repeat steps 2, 3 & 4. Connect the Return Fitting to the Filter Pump Outlet (sequence as shown below).



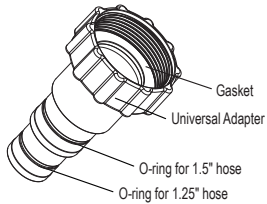
## Replacement parts ordering info

Key #	Description	PART #
1	Hose Adapter x 1	P58PF5620P01

## Use of the Universal Adapter

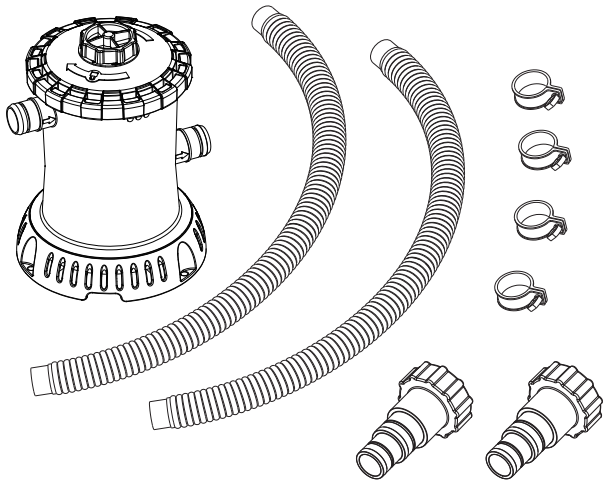
**Note:** These instructions are only applicable if the Universal Adapters are included in the accessories pack of the filter pump packaging.

1. If the suction fitting and return fitting of your pool are the plunger valve type (as shown in diagram below), you can use the Universal Adapters to fit the plunger valves with the hoses that come with the Polygroup® filter pump. Follow the installation procedure below:



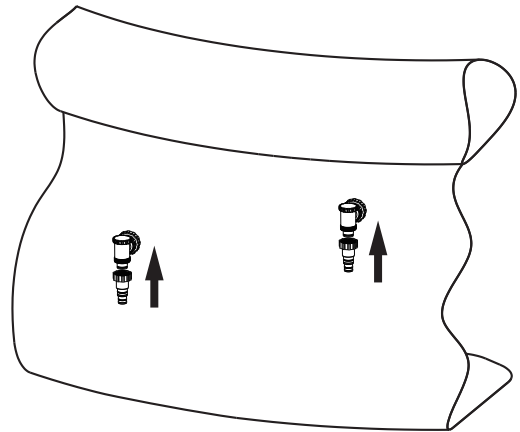
2. Installation Procedure:

1) Take out the Filter Pump Assembly, two Hoses, four Hose Clamps and two Universal Adapters.

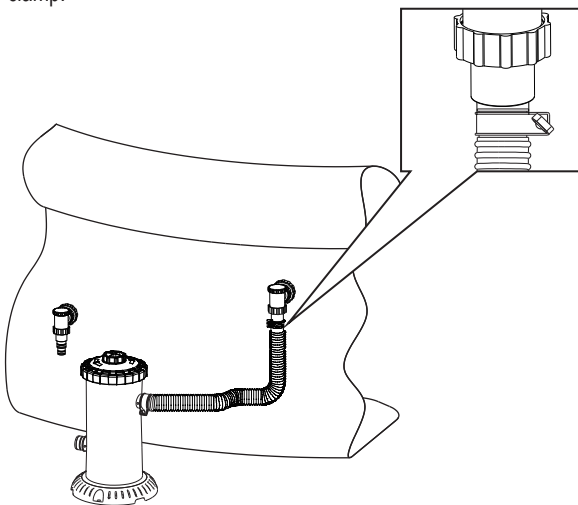


\* Filter pump image for reference only

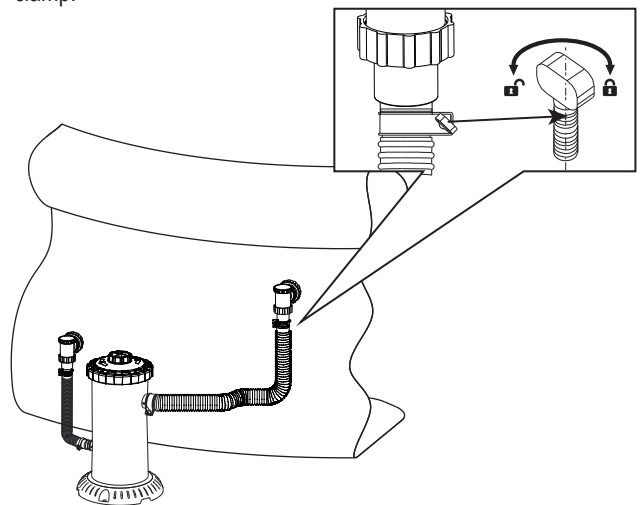
2) Attach one Universal Adapter to each plunger valve of the pool respectively.



3) Connect the 1.25" or 1.5" hose to the adapter, then tighten the hose clamp.



4) Connect another hose to the other adapter, then tighten the hose clamp.



### Replacement parts ordering info

Key #	Description	PART #
1	Universal Adapter x 1	P58003689W05

# Upgrading the SFX Skimmer Plus Filter System to a Sand Filter or RX Cartridge Filter System

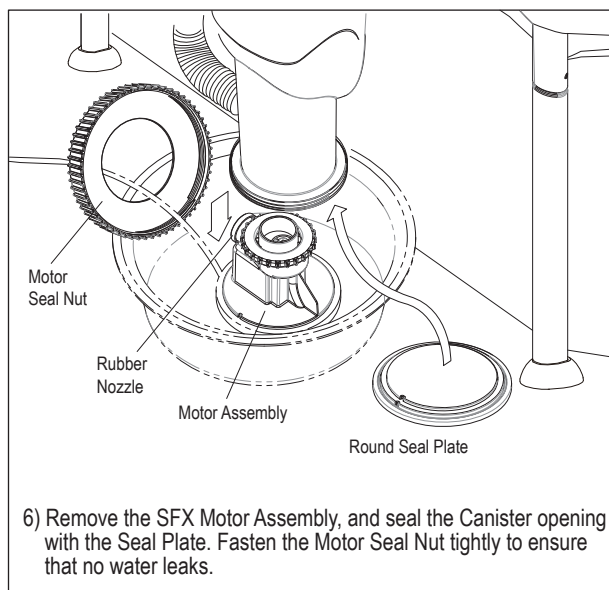
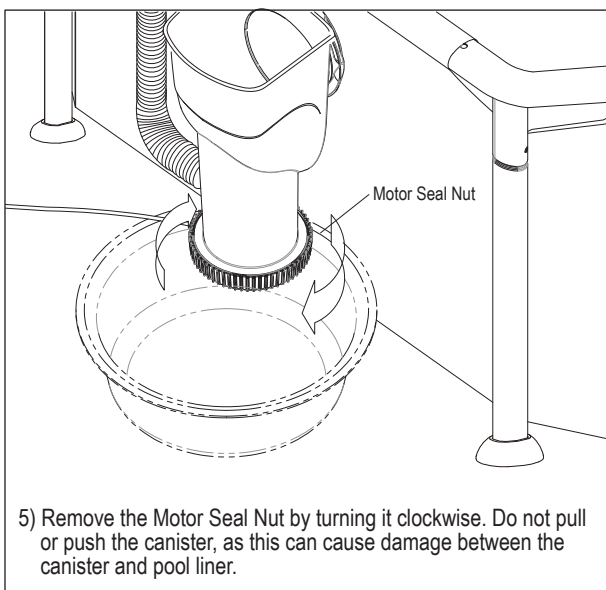
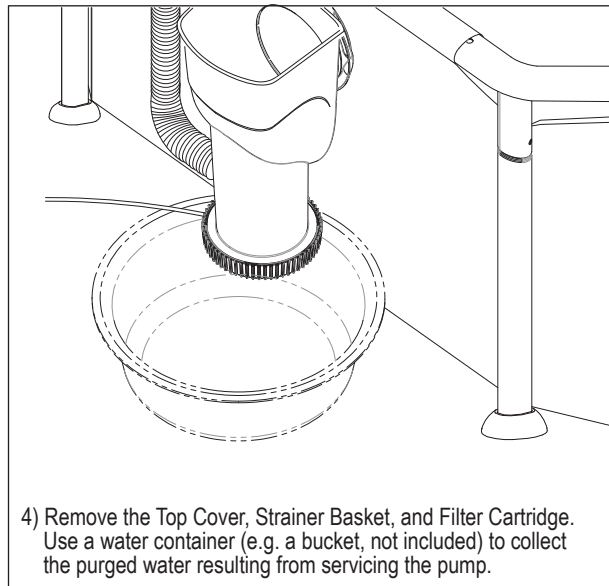
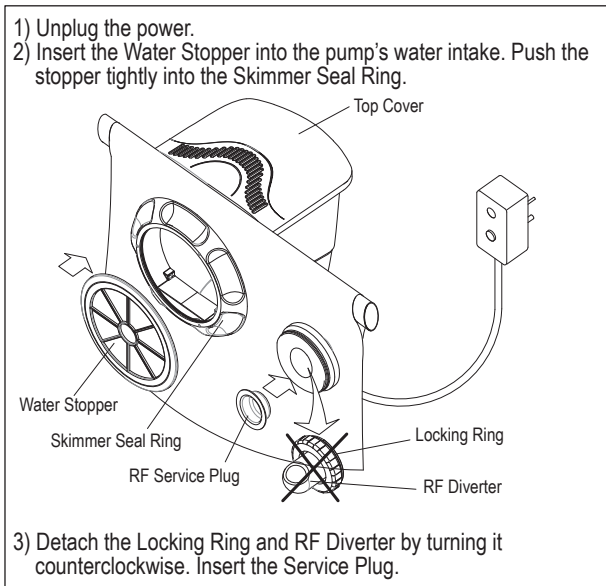
**Tips: This instruction is only applicable if the accessories pack includes the seal plate. Only use the seal plate when you need to upgrade the existing SFX Filter system to a Sand Filter or RX Cartridge Filter system.**

To replace your existing SFX Filter to a Sand Filter or RX Cartridge Filter, simply assemble the new filter according to the following instructions.

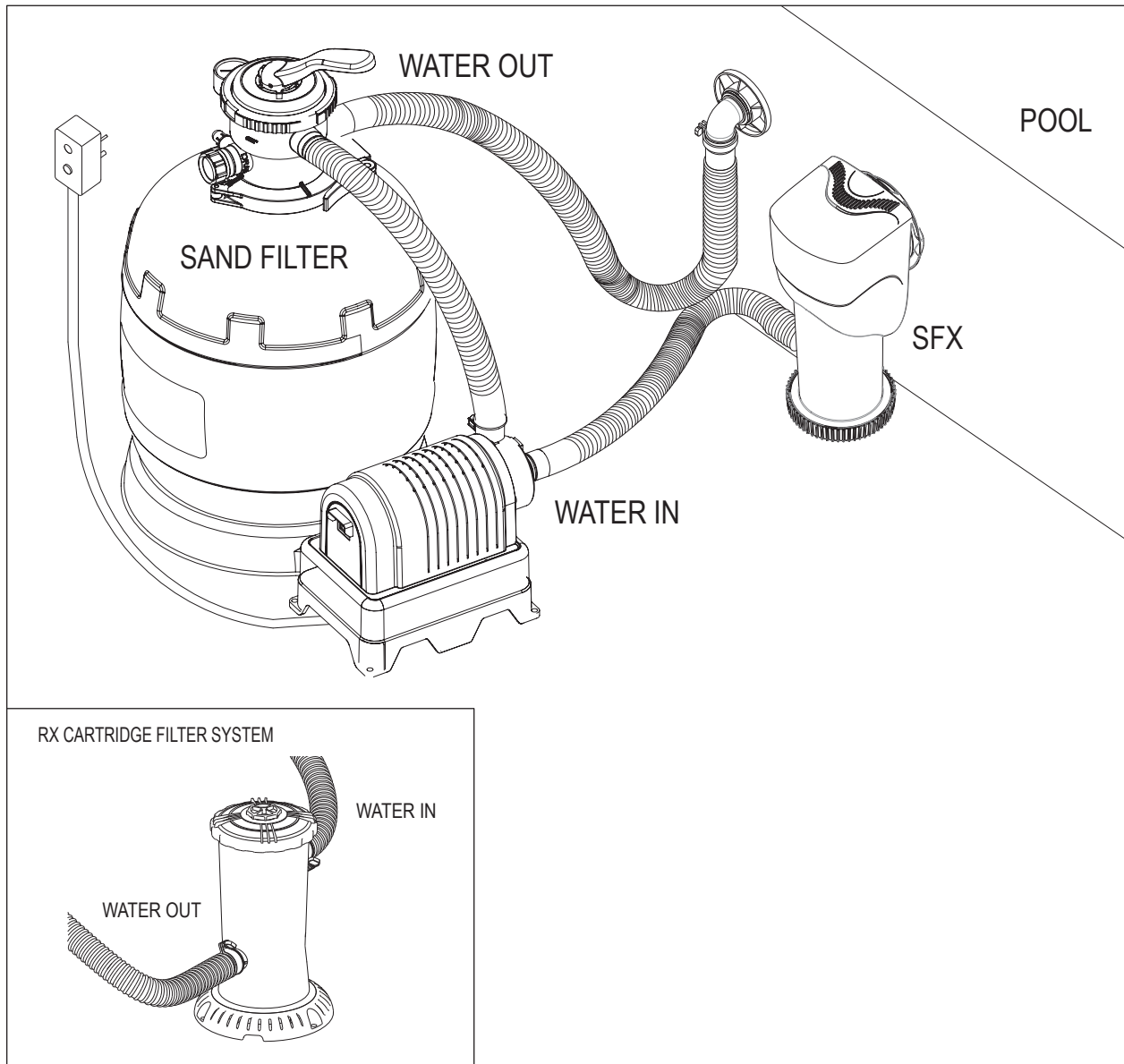
1. Unpack the new filter that you have purchased, and take out the round Seal Plate included (as in below diagram).



2. Replace the SFX Motor with the Seal Plate following the steps shown below:



3. Assemble the Sand Filter or RX Cartridge Filter System according to its instruction manual.
4. Install your new filter to the SFX Canister as indicated below:



5. Refer to the instruction manuals and make sure that all connections are firmly secured.
6. Plug in the Sand Filter or RX Cartridge Filter System, and enjoy!

## Replacement parts ordering info

Key #	Description	PART #
1	Seal Plate x 1	P5810170AE01