

SUMMER WAVES® POOL MAINTENANCE KIT

READ AND KEEP THESE INSTRUCTIONS FOR FUTURE REFERENCE

For answers to common questions, setup videos and troubleshooting tips, visit support.polygroupstore.com or call Customer Service: +1 (888) 919-0070

DO NOT RETURN PRODUCT TO STORE



To order parts and accessories, visit www.polygroupstore.com



Should you encounter a problem with your Polygroup® Product, please DO NOT return the product to the place of purchase. All warranty claims must be made directly to Polygroup®. For any setup and troubleshooting issues, visit support.polygroupstore.com. Customer Service: +1 (888) 919-0070. You may be asked to return all or part of the product for inspection and/or repair. Do not return any product to Polygroup® without a Return Merchandise Authorization number.

IMPORTANT SAFETY INSTRUCTIONS

When installing and using this product, basic safety precautions should always be followed, including the following:

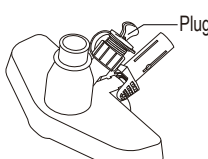
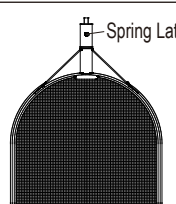
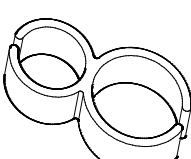


READ AND FOLLOW ALL INSTRUCTIONS

Keep for future reference. Failure to follow these warnings and instructions can result in serious injury or death to users, especially children.

WARNING

- Read and follow all safety information and instructions. Keep for future reference. Failure to follow these warnings and instructions can result in serious injury or death to users, especially children.
- Keep children in your direct sight, stay close, and actively supervise them when they are in or near this pool and when you are filling and emptying this pool.
- Keep all breakable objects out of the pool area.

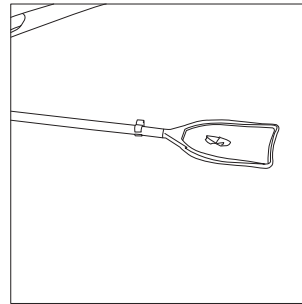
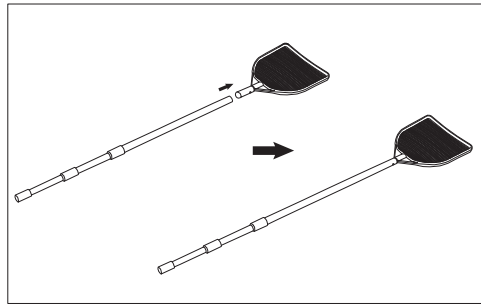
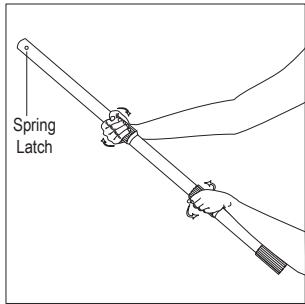
PARTS LIST

 <p>Vacuum Body</p> <p>1</p>	 <p>Leaf Net</p> <p>2</p>	 <p>Hose Clip</p> <p>3</p>
 <p>Telescopic Pole</p> <p>4</p>		 <p>Vacuum Bag</p> <p>5</p>

OPERATION INSTRUCTIONS

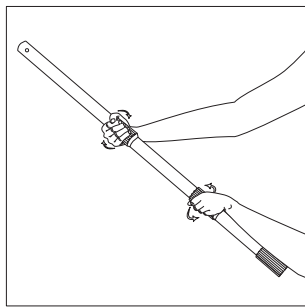
To Use the Leaf Net

1. Extend the telescopic pole to its fullest length.
2. Attach the leaf net to the open end of the telescopic pole.
3. Scoop out leaves and debris from the pool.

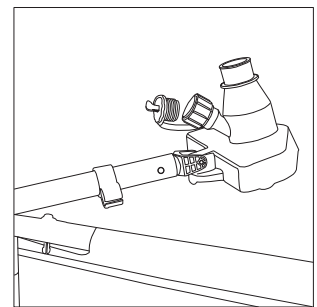
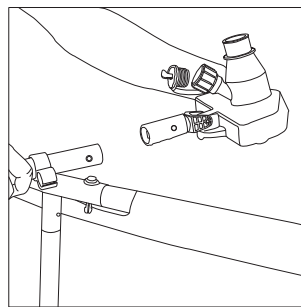


To Vacuum with a 5/8" Garden Hose (not included)

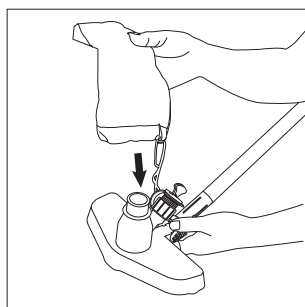
1. Extend the telescopic pole to its fullest length.



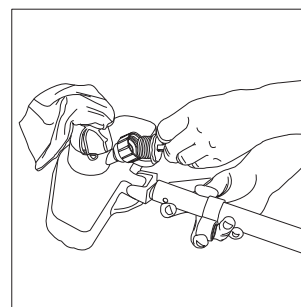
2. Attach the vacuum head to the open end of the telescopic pole.



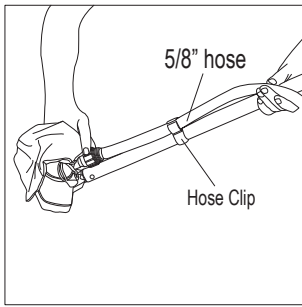
3. Attach the vacuum bag to the vacuum head, tighten the drawing string and tie a simple shoelace knot.



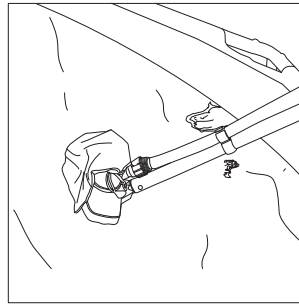
4. Twist off the water hose cap.



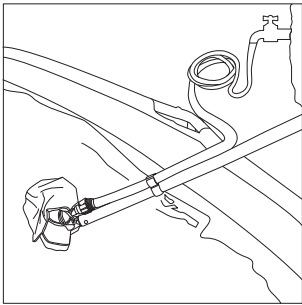
5. Hand tighten a 5/8" garden hose to the vacuum head.
6. Secure the hose into the hose clip.



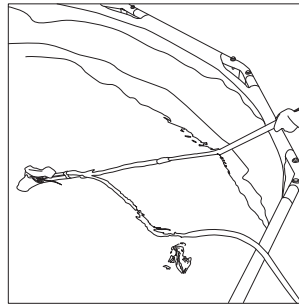
7. Place the vacuum under water.



8. Turn on the water supply, this will create a venturi action at the vacuum head to collect debris into the vacuum bag.



9. Slowly push the vacuum head across the pool floor to remove debris.



10. When done or when the bag is full:

- A) Slowly move the vacuum head to the side wall of the pool, turn the vacuum head up-side-down, shut off the water and remove the vacuum head from the pool.
- B) Remove the vacuum bag and discard all of the debris, flip the bag in-side-out and rinse with running water.

11. Repeat the vacuuming process until the pool is thoroughly cleaned.

