

SUMMER WAVES® POOL MAINTENANCE KIT

READ AND KEEP THESE INSTRUCTIONS FOR FUTURE REFERENCE

For answers to common questions, setup videos and troubleshooting tips, visit support.polygroupstore.com or call Customer Service: +1 (888) 919-0070



To order parts and accessories, visit www.polygroupstore.com



DO NOT RETURN PRODUCT TO STORE

Should you encounter a problem with your Polygroup® Product, please DO NOT return the product to the place of purchase. All warranty claims must be made directly to Polygroup®. For any setup and troubleshooting issues, visit support.polygroupstore.com. Customer Service: +1 (888) 919-0070. You may be asked to return all or part of the product for inspection and/or repair. Do not return any product to Polygroup® without a Return Merchandise Authorization number.

IMPORTANT SAFETY INSTRUCTIONS

When installing and using this product, basic safety precautions should always be followed, including the following:

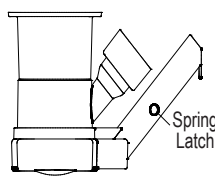
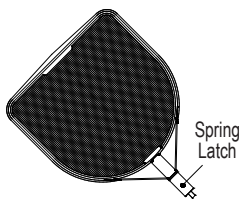
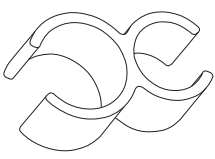
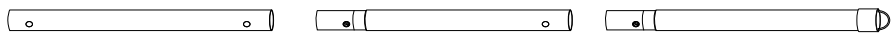

READ AND FOLLOW ALL INSTRUCTIONS

Keep for future reference. Failure to follow these warnings and instructions can result in serious injury or death to users, especially children.

WARNING

- Read and follow all safety information and instructions. Keep for future reference. Failure to follow these warnings and instructions can result in serious injury or death to users, especially children.
- Keep children in your direct sight, stay close, and actively supervise them when they are in or near this pool and when you are filling and emptying this pool.
- Keep all breakable objects out of the pool area.

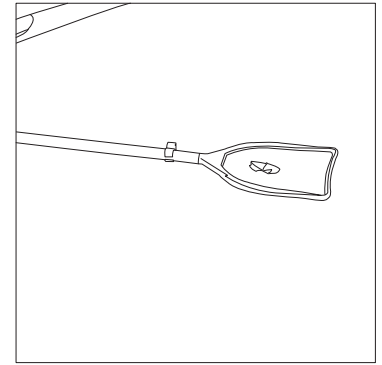
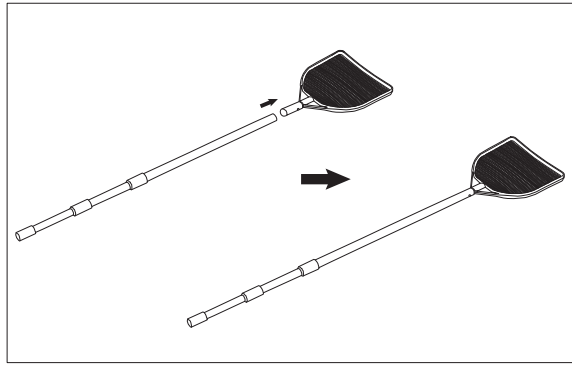
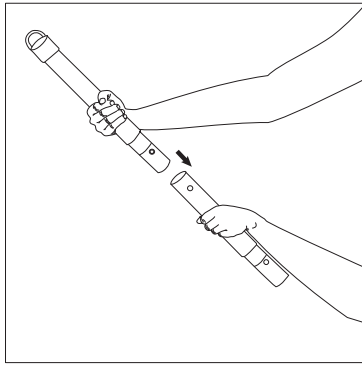
PARTS LIST

 <p>Vacuum Head</p>	 <p>Leaf Net</p>	 <p>Hose Clip</p>
 <p>Pole x 3</p>		 <p>Vacuum Bag</p>

OPERATION INSTRUCTIONS

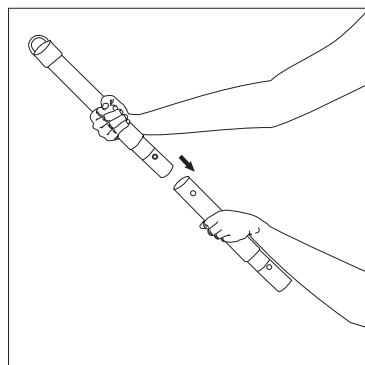
To Use the Leaf Net

1. Assemble the 3-Piece pole **4** by inserting the swaged ends into the plain ends. Make sure that the plain tube is at one end, and the tube with an end cap at the other end.
2. Insert the Leaf Net **2** into the opening of the Pole **4** until it clicks into place.
3. Scoop out leaves and debris from the pool.

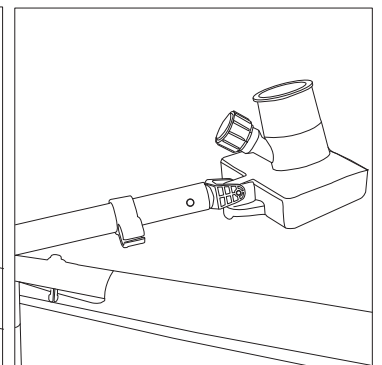
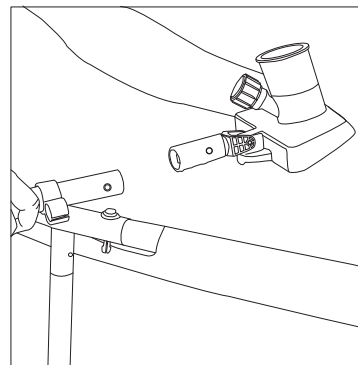


To Use the Vacuum with a 5/8" Garden Hose (not included)

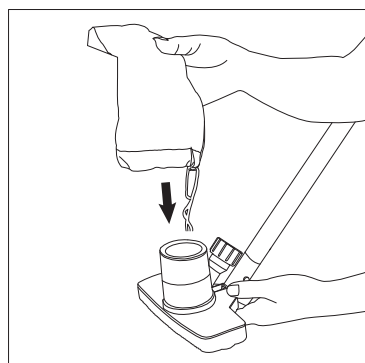
1. Assemble the 3-Piece pole **4** by inserting the swaged ends into the plain ends. Make sure that the plain tube is at one end, and the tube with an end cap at the other end.



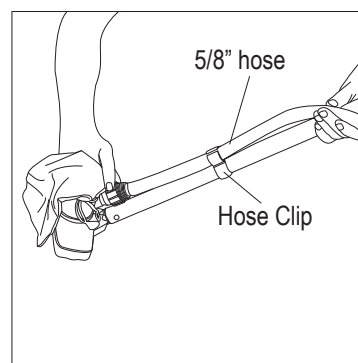
2. Insert the Pole into the Vacuum head **1** until it clicks into place.



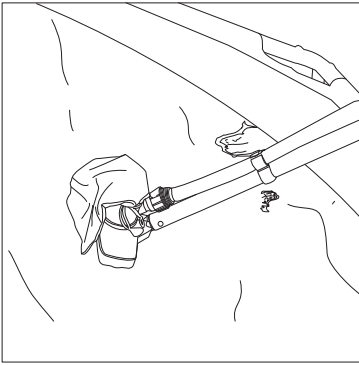
3. Loosen the drawstrings on the open end of the Vacuum Bag **5** and place it over the larger hole at the TOP of the vacuum head **1**. Pull the bag over the lip and make sure the drawstring is located completely below the lip of the vacuum body. Tighten the drawstring and tie a knot.



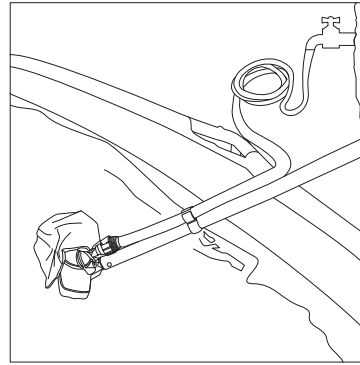
4. Connect and hand tighten a 5/8" garden hose (not included) to the threaded hole on the Vacuum head **1**.
5. Secure the hose into the hose clip **3**.



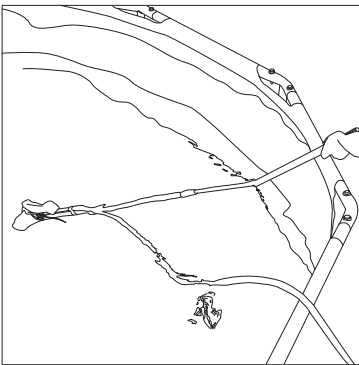
6. Place the vacuum under water and turn on the water supply to the garden hose.



7. The garden hose water will create Venturi action at the Vacuum head to collect debris into the vacuum bag.



8. Slowly push the vacuum head across the pool floor to remove the debris.



9. When the bag becomes full or you finished vacuuming :

- A) Slowly move the vacuum to the side wall of the pool, turn the vacuum head upside down, shut off the water and remove the vacuum head from the pool.
- B) Remove the vacuum bag and discard all of the debris, turn the bag inside out and rinse with running water.

10. Repeat the vacuuming process until the pool is thoroughly cleaned.

