

# SUMMER WAVES® ELITE RECTANGULAR FRAME POOL

FOR ABOVE GROUND SWIMMING POOLS

13' - 32' (3.96 m - 9.75 m) Models



## READ AND KEEP THESE INSTRUCTIONS FOR FUTURE REFERENCE

For answers to common questions, setup videos and troubleshooting tips, please visit [support.polygroupstore.com](http://support.polygroupstore.com) or call Customer Service: +1 (888) 919-0070

**DO NOT RETURN PRODUCT TO STORE**



To order parts and accessories, please visit [www.polygroupstore.com](http://www.polygroupstore.com)



Should you encounter a problem with your Polygroup® Product, please DO NOT return the product to the place of purchase. All warranty claims must be made directly to Polygroup®. For any setup and troubleshooting issues, please visit [support.polygroupstore.com](http://support.polygroupstore.com). Customer Service: +1 (888) 919-0070. You may be asked to return all or part of the product for inspection and/or repair. Do not return any product to Polygroup® without a Return Merchandise Authorization number.

## TABLE OF CONTENTS

Warnings .....	3 ~ 6
Parts list .....	7 ~ 8
Setup instructions .....	9 ~12
Pool maintenance & drainage .....	13
Pool storage & winterizing & Pool safety sign .....	14
Pool cover safety.....	15

### Limited Warranty

Polygroup® Trading Limited (hereinafter “Polygroup®”) makes products at the best quality we are able to offer. All Polygroup® products have been inspected against defects in materials and workmanship prior to leaving factory. Polygroup® is happy to offer warranty for the repair or replacement of pool products for 90 days from the date of purchase. The provisions of this Limited Warranty only apply to the original purchaser. Please keep your original store sales receipt, as this proof of purchase will be required and must accompany warranty claims to Polygroup® or its designated agents. This Limited Warranty does not apply without proof of purchase; or should the purchaser modify or repair the product themselves or by unauthorized people; use non-Polygroup® parts or accessories with the product; use the product in contravention of the manufacturer’s instructions; use improper voltage; abuse the product in any way; or through accident or negligence. This Limited Warranty will not cover consequential damages, including claims for loss of water, pool chemicals, damage, or labor, normal wear-and-tear; nor acts of God outside the control of Polygroup®. Non-manufacturing defects, such as grasses that may grow through the ground cloth and/or pool liner are examples of which Polygroup® cannot be held responsible for.

IN NO EVENT SHALL Polygroup®, ITS AUTHORIZED AGENTS, RELATED ENTITIES, OR EMPLOYEES BE LIABLE TO THE BUYER OR ANY OTHER PARTY FOR DIRECT OR CONSEQUENTIAL DAMAGES. Some states or countries, or other jurisdictions, do not allow the exclusion or limitation of incidental or consequential damages, so the above limitation or exclusion may not apply to you.

This Limited Warranty is not extended to close-outs, factory seconds, or resold products (i.e. garage sales, online auctions, or online retailers not purchased directly from Polygroup®). Any issues with items purchased from these types of vendors / sellers will need to be addressed through these stores. Items purchased from seasonal stores will be treated with an “All Sales Final” Policy instead.

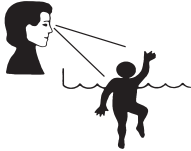
## IMPORTANT SAFETY INSTRUCTIONS

When installing and using this product, basic safety precautions should always be followed, including the following:

### READ AND FOLLOW ALL INFORMATION AND INSTRUCTIONS

Keep for future reference. Failure to follow these warnings and instructions can result in serious injury or death to users, especially children.

#### **WARNING**



#### **DANGER**

##### **PREVENT DROWNING!**

CLOSELY WATCH CHILDREN WHO ARE IN OR NEAR THIS POOL. CHILDREN UNDER 5 ARE AT HIGHEST RISK FOR DROWNING. EMPTY POOL OR PREVENT ACCESS WHEN NOT IN USE.

##### **NO DIVING!**

SHALLOW WATER! YOU CAN BREAK YOUR NECK AND BE PARALYZED.

#### **WARNING**

**DO NOT SIT ON OR LAY OVER POOL WALL**

**AVOID ENTRAPMENT!** STAY AWAY FROM DRAINS & SUCTION FITTINGS. YOUR HAIR, BODY & JEWELRY CAN GET SUCKED INTO DRAIN. YOU COULD BE HELD UNDER WATER & DROWN. DO NOT USE POOL IF DRAIN OR SUCTION OUTLET COVER IS MISSING OR BROKEN.



- Set up the pool only on **LEVEL, STABLE, and COMPACT** soil.
  - **DO NOT** set up the pool on sand surface.
  - Excessive sand inside the pool will **DAMAGE** the pool liner and filtration system.
- Failure to follow these instructions will void the warranty.

**NOTICE:** CUSTOMERS WHO PURCHASE POOLS MAY BE REQUIRED BY LOCAL OR STATE LAW TO INCUR ADDITIONAL EXPENSES WHEN INSTALLING A POOL, IN ORDER TO COMPLY WITH STATE OR LOCAL LAWS REGARDING FENCING AND OTHER SAFETY REQUIREMENTS. CUSTOMERS SHOULD CONTACT THEIR LOCAL BUILDING CODE ENFORCEMENT OFFICE FOR FURTHER DETAILS. POLYGROUP® IS NOT RESPONSIBLE FOR ANY ADDITIONAL EXPENSES THAT YOU MAY INCUR.

## Safety Care for Children

### Drowning Risk:

1. Assign an adult to be responsible for watching children in the pool. Give this person a "water watcher" tag and ask that they wear it the entire time they are in charge of supervising children in the pool. If they need to leave for any reason, ask this person to pass the "water watcher" tag and the supervision responsibility to another adult. **For replacement of the water watcher tag, please visit [www.polygroupstore.com](http://www.polygroupstore.com).**
2. Pool presents a drowning hazard even during filling and draining of the pool. Maintain constant supervision of children and do not remove any safety barriers until the pool is completely empty and stowed away.
3. Children, especially children younger than five years, are at high risk of drowning. Drowning occurs silently and quickly and can occur in as little as 2 in (5 cm) of water.
4. Keep children in your direct sight, stay close, and actively supervise them when they are in or near this pool and when you are filling and emptying this pool.
5. When searching for a missing child, check the pool first, even if child is thought to be in the house.
6. Do not leave toys inside pool when finished using, since toys and similar items might attract a child to the pool. Position furniture (for example, tables, chairs) away from pool, so that children cannot climb on it to gain access to the pool. After using pool, remove water to a level of ½ in (1 cm) or less.
7. Locate pumps and filters in such a way that children cannot climb on them and gain access to the pool.

## Swimming Pool Barriers

### Very Important:

1. Swimming pool barriers, which restrict access to the pool by small children, may be required by law. A barrier is necessary to provide protection against potential drowning and near drowning. Barriers are not a substitute for constant supervision of children.
2. Keep unsupervised children from accessing the pool by installing fencing or other approved barrier around all sides of pool. State or local laws or codes may require fencing or other approved barriers. Check state or local laws and codes before setting up pool.
3. See latest published edition of CPSC Pub. No. 362 found at [www.poolsafely.gov](http://www.poolsafely.gov).

## Swimming Pool Equipment

1. The use of artificial pool lighting is at the discretion of the pool owner. Lighting, when installed, should be in accordance with Article 680 of the National Electrical Code (NEC®) or its latest approved edition and in consultation with a licensed electrical professional.
2. Keep all electrical lines, radios, speakers, and other electrical appliances away from the pool.
3. Do not place pool near or under overhead electrical lines.
4. For swimming pools, fountains, and similar installations, and any state or local code, all electrical components installed in and/or adjacent to an above-ground/on-ground residential swimming pool shall be installed in accordance with and shall comply with the requirements of the latest published edition of NFPA 70, National Electrical Code (NEC®) Article 680. For more information, visit [www.nfpa.org](http://www.nfpa.org).

## Swimming Pool Awareness

### Warning :

1. **ADULT ASSEMBLY REQUIRED:** This pool may contain potentially hazardous sharp edges, sharp points, or small parts.
2. **Do not install the pool on a slope or inclined surfaces, on soft or loose soil conditions (such as sand or mud), or on an elevated surface such as a deck, platform or balcony. It may collapse under the weight of the filled pool.**
3. **TO AVOID DANGER OF SUFFOCATION:** Keep the plastic bag used in this product away from babies and children; do not use the bag in cribs, beds, carriages, or playpens. The plastic bag could block the nose and mouth and prevent breathing. The plastic bag is not a toy.
4. If a drain or suction outlet cover is missing or broken, do not use the pool. Suction can cause body part entrapment, hair and jewellery entanglement, or drowning. Repair or replace the drain or suction outlet cover before using the pool again.
5. When using the pool at night, artificial lighting should be used to illuminate all safety signs, ladders, steps, deck surfaces, and pathways.
6. The floor of the pool shall be visible at all times from the outside perimeter of the pool.
7. Keep your pool clean and clear. The deepest part of pool must be visible at all times from outside of the pool.
8. Call for emergency if needed.
9. Basic lifesaving equipment, including one of the following, should be on hand at all times:
  - A light, strong, rigid pole (shepherd's crook) not less than 12' [3.66 m] long.
  - A ¼" [6.35 mm] diameter rope as long as one and one half (1 ½) times the maximum width of the pool or 50' [15.24 m], whichever is less, which has been firmly attached to a Coast Guard-approved ring buoy having an outside diameter of approximately 15" [38.1 cm], or similarly approved flotation device.
10. The pool is subject to wear and deterioration. If not maintained properly, certain types of excessive or accelerated deterioration can lead to a failure of the pool structure that might release large quantities of water that could cause bodily harm and property damage.
11. Never allow fooling around, diving, or jumping into or around the pool. This could lead to serious injury, paralysis or death. **DO NOT ALLOW** anyone to swim alone without supervision.
12. Pool shall be located at a minimum distance of 6 ft (1.83 m) from any receptacle, and all 125-volt 15- and 20-ampere receptacles located within 20 ft (6.0 m) of the pool shall be protected by a ground fault circuit interrupter (GFCI), where distances are by measuring the shortest path the supply cord of an appliance connected to the receptacle would follow, without piercing a floor, wall, ceiling, doorway with hinged or sliding door, window opening, or other effective permanent barrier, to the inside wall of the pool.

## Circulation Systems

1. Follow written instructions regarding positioning of all equipment connected to the circulation systems and operating the components.
2. Circulation equipment should be installed per manufacturer's instructions to provide proper mounting and support, to prevent damage from misalignment, settlement, and vibration, and to minimise the potential for the accumulation of debris and moisture. Please refer to pump's instruction manual.
3. A replacement pump should never exceed the maximum flow rate marked on the suction fitting.

## Ladder

1. The ladder should be located on a solid base and is to be installed per the manufacturer's instructions.
2. One person on the ladder at a time.
3. This ladder is designed and manufactured for a specific pool wall height and/or deck of the pool.
4. When entering/exiting the pool, face the ladder at all times.
5. To prevent entrapment or drowning do not swim through, behind, or around the ladder.
6. Remove and secure the ladder when pool is not occupied.

## Pool Cover

Pool covers used for safety barriers shall comply with the latest published edition of ASTM F-1346, Standard performance specifications for safety covers and labeling requirements for all covers for swimming pools, spas, and hot tubs.

## Chemicals

For safety's sake, ensure the deepest part of the pool is always visible. The user must properly maintain pool water clarity at all times. Check the pH and chlorine levels periodically, and make sure they are within the recommended limits. Additional water treatment chemicals might be needed from time to time. Have the water sample tested by a local pool supply store to determine if additional chemicals are needed. Turn on the pump for the recommended hours daily. If you are unsure of the time frames please refer to [support.polygroupstore.com](http://support.polygroupstore.com) for the recommended Pump Operation Hours based on pool types and sizes. Clean and replace filter cartridge frequently. Replace only with genuine Polygroup®/Summer Waves® Brand filter cartridges. Refer to the Filter Pump manual for additional water care information.

## Risk of Entrapment

1. Entrapment Avoidance: There shall be no protrusions or obstruction in the swimming area, which may cause entrapment or entanglement of the user. If a suction outlet cover is missing or broken, do not use the pool. Suction can cause body part entrapment, hair and jewelry entanglement, evisceration, or drowning. Repair or replace the suction outlet cover before allowing the pool to be used.
2. Never play or swim near drains or suction fittings. Your body or hair may be trapped, causing permanent injury or drowning.

## Risk of Drowning

1. Keep unsupervised children from accessing the pool by installing fencing or other approved barriers around all sides of pool. State or local laws or codes may require fencing or other approved barriers. Check state or local laws and codes before setting up the pool.
2. Remove pool ladders after leaving the pool.
3. Toys, chairs, tables, or similar objects that a young child could climb should be at least four feet (4') [121.92 cm] from the pool. The pump filter system should be positioned so as to prevent it from being used as a means of access to the pool by young children.

## Diving Risk

1. Above-ground/on-ground residential swimming pools are for swimming and wading only. No diving boards, slides, or other equipment are to be added to an above-ground/on-ground pool.
2. Do not dive into this pool. Diving into shallow water can result in a broken neck, paralysis, or death.

## Risk of Electrocutation

1. Keep all electrical lines, radios, speakers, and other electrical appliances away from the pool.
2. Do not place the pool near or under overhead electrical lines.

## First Aid

1. Keep a working phone and a list of emergency numbers near the pool.
2. Become certified in cardiopulmonary resuscitation (CPR). In the event of an emergency, immediate use of CPR can make a lifesaving difference.

## Special Warning

1. Local building codes may require obtaining a building or electrical permit. The installer shall follow regulations on setback, barriers, devices, and other conditions.
2. Safety signs shall comply with requirements of ANSI-Z535 and use signal wording.
3. DO NOT attempt to assemble this pool in adverse weather conditions, windy conditions, or when the temperature is below 60°F.
4. This is a storable pool, which should be disassembled and stored when temperatures are expected to fall below 32°F.
5. Ensure that all pools and their related components that are installed in an indoor environment should comply with the ventilation requirements of ANSI/ASHRAE 62 or the latest published edition of Ventilation for acceptable indoor air quality, Table 2, Article 2.1.
6. The placement of the pool and portable pools shall be set up so that they comply with local safety and building codes.

## Extra Safety Warning

1. When you touch the filter, pump, or electrical parts, be sure the ground under your feet is "Bone Dry."
2. Connect power cords to a 3-wire grounding-type outlet only.
3. Keep all breakable objects out of the pool area.
4. Alcohol consumption and pool activities do not mix. Never allow anyone to swim, dive, or slide while under the influence of alcohol or drugs.
5. Severe electrical shock could result if you install your filter pump on a deck. The pump or filter could fall into the water, causing severe shock or electrocution.
6. Do not allow roughhousing and fooling around
7. Do not engage in extended breath holding activities underwater; you may black out and drown.
8. Install pool ladder(s) or a staircase for entry and exit from the pool.
9. Check regularly for signs of wear on the liner or any loose parts that could make the pool unsafe.
10. Instruct pool users about the proper use of all pool ladder(s) and staircases.
11. Check all nuts and bolts regularly to ensure that the ladder stays sturdy.
12. Please contact pool site dealer or manufacturer for additional safety signs if deemed necessary.
13. For pool service, choose a certified pool professional. For additional safety information, see [www.APSP.org](http://www.APSP.org)

## Consumer Awareness Booklets and Information Source

**CONTACT:** U.S. Consumer Product Safety Commission at [www.cpsc.gov/safety-education/safety-guides/pools-and-spas](http://www.cpsc.gov/safety-education/safety-guides/pools-and-spas), Pub. #362 "Safety Barrier Guidelines for Home Pools."

1. The Sensible Way to Enjoy Your Above-ground/On-ground Swimming Pool.
2. Children Aren't Waterproof.
3. Layers of Protection.
4. Pool and Spa Emergency Procedures for Infants and Children.
5. Be Safety Aware Copies of the above brochures are available free from the APSP. Go to: [www.APSP.org](http://www.APSP.org)



## Safety Education Programs and Materials

Educational programs and materials (i.e., seminars, workshops, brochures, videos, instructional guides) are available from the APSP, other aquatic safety groups, and by private firms. As a means of communicating useful safety information to pool owners/operators and users, industry members are permitted to provide such information to owners/operators and to request or require owners/operators to sign a statement that they have received, read, and will follow the guidelines.

### Other sources of safety information:

- [www.cdc.gov](http://www.cdc.gov)
- [www.cpsc.gov](http://www.cpsc.gov)
- [www.drowningpreventionalliance.com](http://www.drowningpreventionalliance.com)
- [www.nspf.org](http://www.nspf.org)
- [www.safekids.org](http://www.safekids.org)

### NSF NSF International

P.O. Box 130140  
789 N. Dixboro Road  
Ann Arbor MI 481105  
Contact: 800-673-6275 or 734-769-8010  
[www.nsf.org](http://www.nsf.org)

### ANSI American National Standards Institute

25 West 43rd Street, New York NY 10036  
Contact: 212-642-4900  
[www.ansi.org](http://www.ansi.org)

### ASTM ASTM International (formerly American Society of Testing & Materials)

100 Barr Harbor Drive, P.O. Box C700 West Conshohocken, PA 19428-2959  
Contact: 877-909-2786 (USA & CANADA) or 610-832-9585 (International)  
[www.astm.org](http://www.astm.org)

### APSP Association of Pool & Spa Professionals

(formerly National Spa and Pool Institute)  
2111 Eisenhower Avenue, Ste. 500  
Alexandria VA 22314-4679  
Contact: 703-838-0083  
[www.apsp.org](http://www.apsp.org)

### NEC National Electrical Code (see NFPA)

NFPA National Fire Protection Association  
1 Batterymarch Park, Quincy MA 02169-7471  
Contact: 800-344-3555 (U.S. & CANADA) or 617-770-3000 (International)  
[www.nfpa.org](http://www.nfpa.org)

### NSPI National Spa and Pool Institute (see APSP)

### UL Underwriters Laboratories

333 Pfingsten Road, Northbrook IL 60062-2096  
Contact: 877-854-3577 or 847-272-8800  
[www.ul.com](http://www.ul.com)

### ASME American Society of Mechanical Engineers

Two Park Avenue, New York NY 10016-5990  
Contact: 800-843-2763 (U.S. & CANADA) or 973-882-1170 (Outside N. America)  
[www.asme.org](http://www.asme.org)

## Filtration Systems

Any equipment connected to the circulation systems shall be positioned so as to prevent their being used as a means of access to the pool by young children. (See the latest published edition of ANSI/APSP-8 Model Barrier Code for Residential Swimming Pools, Spas, and Hot Tubs.)

## Barrier

Barrier is necessary to provide protection against potential drowning and near drowning, and barriers are not a substitute for the constant supervision of children. (See latest published edition of ANSI/APSP-8 Model Barrier Code for Residential Swimming Pools, Spas, and Hot Tubs.)

## Risk of Drowning, Entrapment, and Diving Accidents

Publications are available that describe the risk of drowning, entrapment, and diving accidents. Available publications related to pool safety include the Association of Pool and Spa Professionals' (APSP) booklets entitled: The Sensible Way to Enjoy Your Above-ground/On-ground Swimming Pool, Children Aren't Waterproof, Pool and Spa Emergency Procedures for Infants and Children, Layers of Protection, and the latest published edition of ANSI/APSP-8 Model Barrier Code for Residential Swimming Pools, Spas, and Hot Tubs.

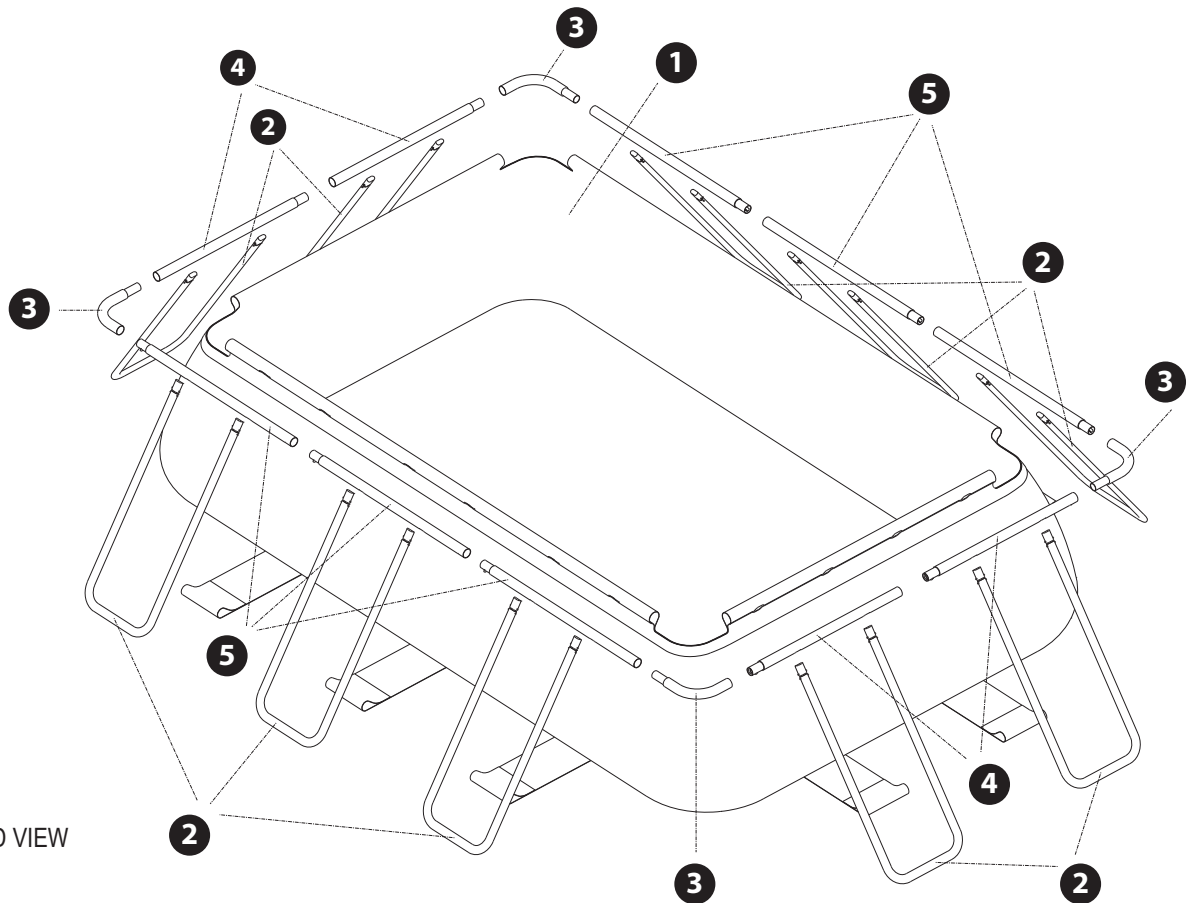
## Installer Responsibilities

All of these components shall be positioned so as to prevent their being used as a means of access to the pool by young children. All safety signs shall be affixed above the water line according to manufacturer's instructions. (See the latest published edition of ANSI/APSP-8 Model Barrier Code for Residential Swimming Pools, Spas, and Hot Tubs.)

## PARTS LIST

Rectangular Frame Pool	1			2		3		4		5		6		7		8		
	Pool Liner			U-Shaped Pipe		Corner Piece		Short Tube		Long Tube		U-shape Pipe Cap (with 2 extra)		O-shape Spring Pin (with 1 extra)		V-shape Spring Pin (with 1 extra)		
Pool Size	Part #			Qty.	Part #	Qty.	Part #	Qty.	Part #	Qty.	Part #	Qty.	Part #	Qty.	Part #	Qty.	Part #	Qty.
13.1'X6.5'X39" (399x198x99) cm	P41307391099	P41307397099	P41307398099	1	P5A4B0003C01	10	P5A5A0001C01	4	P5A1B0009C01	4	P5A1B0011C01	6	P5ANPF089E01	20	P5APF1180E01	10	P5ANPF088E01	20
13.1'X6.5'X48" (399x198x122) cm	P41307481099	P41307487099	P41307488099	1	P5A4B0002C01	10	P5A5A0001C01	4	P5A1B0009C01	4	P5A1B0011C01	6	P5ANPF089E01	20	P5APF1180E01	10	P5ANPF088E01	20
15'X7.38'X48" (549x225x122) cm	P41507481099	P41507487099	P41507488099	1	P5A4B0002C01	12	P5A5A0001C01	4	P5A1B0008C01	4	P5A1B0010C01	8	P5ANPF089E01	24	P5APF1180E01	12	P5ANPF088E01	24
18'x09'x48" (549x274x122) cm	P41809481099	P41809487099	P41809488099	1	P5A4B0002C01	12	P5A5A0001C01	4	P5A1B0003C01	4	P5A1B0006C01	8	P5ANPF089E01	24	P5APF1180E01	12	P5ANPF088E01	24
18'x09'x52" (549x274x132) cm	P41809521099	P41809527099	P41809528099	1	P5A4B0001C01	12	P5A5A0001C01	4	P5A1B0003C01	4	P5A1B0006C01	8	P5ANPF089E01	24	P5APF1180E01	12	P5ANPF088E01	24
24'x12'x52" (732x366x132) cm	P42412520099	P42412527099	P42412528099	1	P5A4B0001C01	18	P5A5A0001C01	4	P5A1B0005C01	6	P5A1B0007C01	12	P5ANPF089E01	36	P5APF1180E01	18	P5ANPF088E01	36
22'x13'x52" (671x396x132) cm	P42213521099	P42213527099	P42213528099	1	P5A4B0005C01	16	P5A5A0001C01	4	P5A1B0015C01	6	P5A1B0006C01	10	P5ANPF089E01	32	P5APF1180E01	16	P5ANPF088E01	32
32'x16'x52" (975x488x132) cm	P43216520099	P43216527099	P43216528099	1	P5A4B0001C01	24	P5A5A0001C01	4	P5A1B0014C01	8	P5A1B0013C01	16	P5ANPF089E01	48	P5APF1180E01	24	P5ANPF088E01	48

	1			2		3		4		5		6		7		8		
	Pool Liner			U-Shaped Pipe		Corner Piece		Short Tube		Long Tube		U-shape Pipe Cap (with 2 extra)		O-shape Spring Pin (with 1 extra)		V-shape Spring Pin (with 1 extra)		
Pool Size	Part #			Qty.	Part #	Qty.	Part #	Qty.	Part #	Qty.	Part #	Qty.	Part #	Qty.	Part #	Qty.	Part #	Qty.
13.1'x6.5'x48" (399x198x122) cm	P41307485099	P41307483099	--	1	P5A4B0002E0K	10	P5A5A0001E0K	4	P5A1B0009E0K	4	P5A1B0011E0K	6	P5ANPF0897CN	20	P5APF11807CN	10	P5ANPF0887CN	20
	--	P41307484099	--	1	P5A4B0002E0N	10	P5A5A0001E0N	4	P5A1B0009E0N	4	P5A1B0011E0N	6	P5ANPF0898UN	20	P5APF11808UN	10	P5ANPF0888UN	20
18'x09'x48" (549x274x122) cm	P41809480Q99	--	--	1	P5A4B0002E0N	12	P5A5A0001E0N	4	P5A1B0003E0N	4	P5A1B0006E0N	8	P5ANPF0898UN	24	P5APF11808UN	12	P5ANPF0888UN	24
18'x09'x52" (549x274x132) cm	--	--	P41809520W99	1	P5A4B0001E0N	12	P5A5A0001E0N	4	P5A1B0003E0N	4	P5A1B0006E0N	8	P5ANPF0898UN	24	P5APF11808UN	12	P5ANPF0888UN	24
	P41809522099	P41809523099	P41809524099	1	P5A4B0001E0N	12	P5A5A0001E0N	4	P5A1B0003E0N	4	P5A1B0006E0N	8	P5ANPF0898UN	24	P5APF11808UN	12	P5ANPF0888UN	24
	P41809525099	P41809526099	P41809529099	1	P5A4B0001E0K	12	P5A5A0001E0K	4	P5A1B0003E0K	4	P5A1B0006E0K	8	P5ANPF0897CN	24	P5APF11807CN	12	P5ANPF0887CN	24
24'x12'x52" (732x366x132) cm	P42412522099	P42412523099	P42412524099	1	P5A4B0001E0N	18	P5A5A0001E0N	4	P5A1B0005E0N	6	P5A1B0007E0N	12	P5ANPF0898UN	36	P5APF11808UN	18	P5ANPF0888UN	36
	P42412525099	P42412526099	P42412529099	1	P5A4B0001E0K	18	P5A5A0001E0K	4	P5A1B0005E0K	6	P5A1B0007E0K	12	P5ANPF0897CN	36	P5APF11807CN	18	P5ANPF0887CN	36
	P42412520N99	--	--	1	P5A4B0001E0N	18	P5A5A0001E0N	4	P5A1B0005E0N	6	P5A1B0007E0N	12	P5ANPF0898UN	36	P5APF11808UN	18	P5ANPF0888UN	36
	P42412520199	--	--	1	P5A4B0001E0N	18	P5A5A0001E0N	4	P5A1B0005E0N	6	P5A1B0007E0N	12	P5ANPF0898UN	36	P5APF11808UN	18	P5ANPF0888UN	36
	--	--	P42412520Q99	1	P5A4B0001E0N	18	P5A5A0001E0N	4	P5A1B0005E0N	6	P5A1B0007E0N	12	P5ANPF0898UN	36	P5APF11808UN	18	P5ANPF0888UN	36
32'x16'x52" (975x488x132) cm	P43216521099	--	P43216522099	1	P5A4B0001E0K	24	P5A5A0001E0K	4	P5A1B0014E0K	8	P5A1B0013E0K	16	P5ANPF0897CN	48	P5APF11807CN	24	P5ANPF0887CN	48
	--	--	P43216520N99	1	P5A4B0001E0N	24	P5A5A0001E0N	4	P5A1B0014E0N	8	P5A1B0013E0N	16	P5ANPF0898UN	48	P5APF11808UN	24	P5ANPF0888UN	48



EXPLODED VIEW



## SETUP INSTRUCTIONS

Before assembling your product, please take a few minutes to check the contents and become familiar with all the parts.

**⚠ WARNING** - DO NOT overfill the pool and / or allow people to lay over or sit on pool wall - DOING SO CAN CAUSE PERMANENT INJURY!  
DRAIN pool to the proper level after a heavy rain.

**TIP:** It will be much easier to install your pool if you unfold it and let it lay in direct sunlight for about 2 hours prior to installation. This will help to ensure a wrinkle-free fit because the pool material will be more pliable allowing it to form into shape during installation.

**WARNING** - VERY IMPORTANT! SITE MUST BE LEVEL, STABLE, COMPACTED SOIL.

- The pool must be assembled on a smooth and level site of firm soil that is free of stones, gravel, sticks, blacktop, or other oil base compounds.
- Before setting up your pool, it is recommended that you clear the area of hardy grasses. Certain types of vigorous grasses such as St. Augustine and Bermuda can grow through the liner. A ground cloth or tarp may be helpful in preventing this from occurring. Grass growing through the liner is not covered under warranty.
- Do not install pool on a wooden deck or any type of wooden surface. You cannot use sand and/or uncompacted soil to provide a level surface for this pool; it will only wash out.
- FAILURE TO FOLLOW ALL OF THESE INSTRUCTIONS WILL CAUSE POOL TO COLLAPSE AND WILL VOID THE WARRANTY!

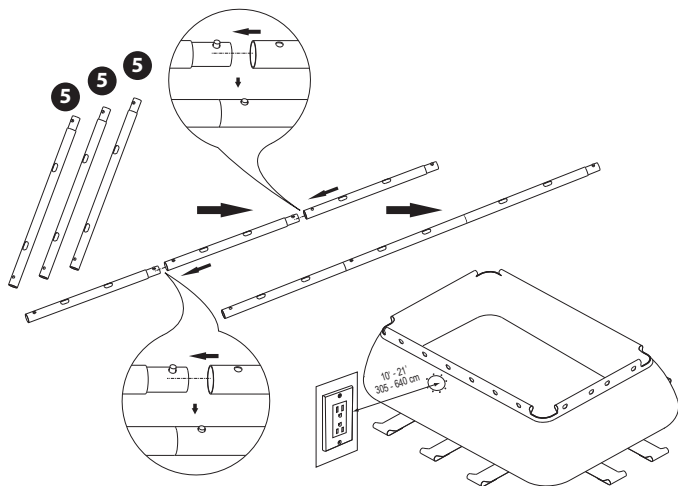
### Site Preparation

1. Select a level area, and completely remove all debris, twigs, stones, etc. DO NOT select an area under overhead electrical lines, trees, or within 15 feet of a house, building, etc.
2. The pool shall be located a minimum distance of 6ft (1.83m) from any electrical receptacle.
3. All 125 volt, 15 and 20 ampere receptacles located within 20ft (6.0m) of the pool shall be protected by a ground fault circuit interrupter (GFCI).  
The 20ft (6m) distance is measured via the shortest straight line distance the supply cord would follow without piercing a floor, wall, ceiling, doorway, window, or other permanent barrier.
4. Contact your local utilities, checking that no underground cables, telephone lines, gas lines, etc. run beneath the area you have selected.

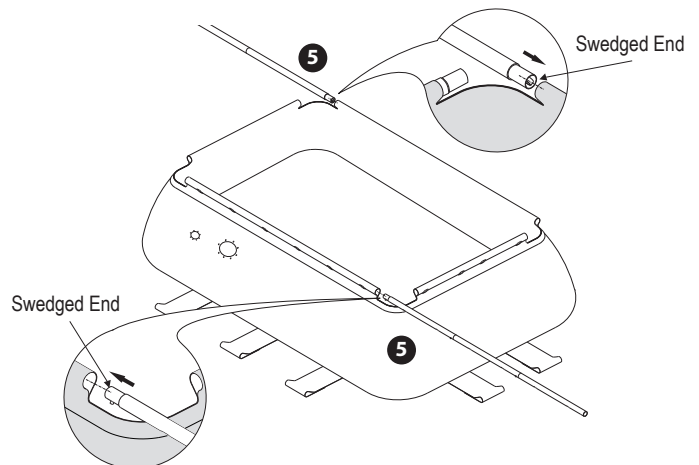
### Setup Instructions

1. Locate a level and flat area to set up the pool. Make sure the ground is free from sharp objects as they may puncture the pool.
2. Carefully unfold the pool liner in the area selected and inspect the seams for manufacturing defects.
3. It is recommended to let the pool sit out in direct sunlight for about 2 hours prior to installation (see TIP above).
4. LIFT the pool liner across the ground. DO NOT drag the liner from one location to another.
5. Locate the pool so that the pump opening are 10 to 21 feet away from the electrical outlet.

6. Connect the Long Tubes ⑤ .

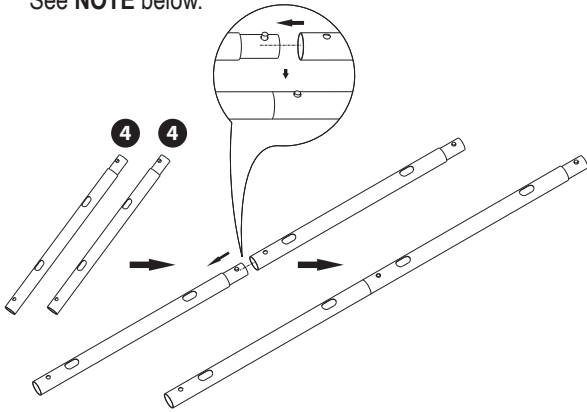


7. Carefully slide the connected Long Tubes ⑤ into the sleeves on the long sides of the pool.



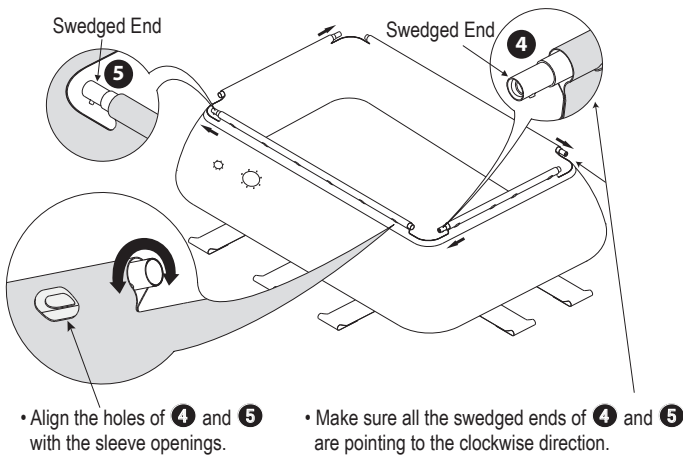
**NOTE:** Refer to the parts list on page 7 & 8 for the exact quantity of Long Tubes ⑤. Connect half the total quantity to form the horizontal beams on the long sides of the pool.

8. Connect the Short Tubes ④.  
See NOTE below.

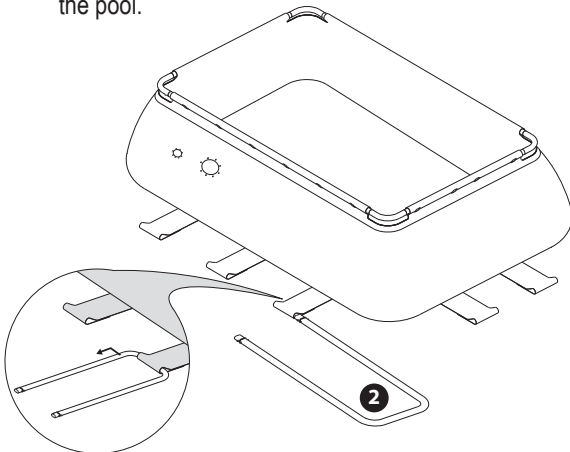


**NOTE:** Refer to the part list on page 7 & 8 for the exact quantity of Short Tubes ④. Connect half the total quantity to form the horizontal beams on the short sides of the pool.

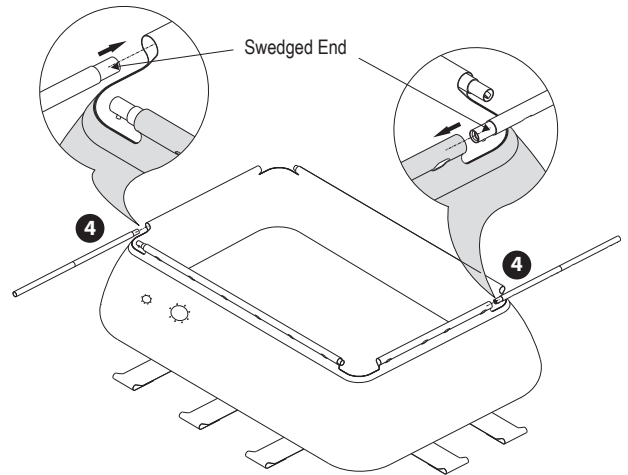
10. Rotate the short and long tubes to align the holes in the tubes with the openings on the sleeves.



12. Insert the U-Shaped Pipes ② into the straps at the bottom of the pool.

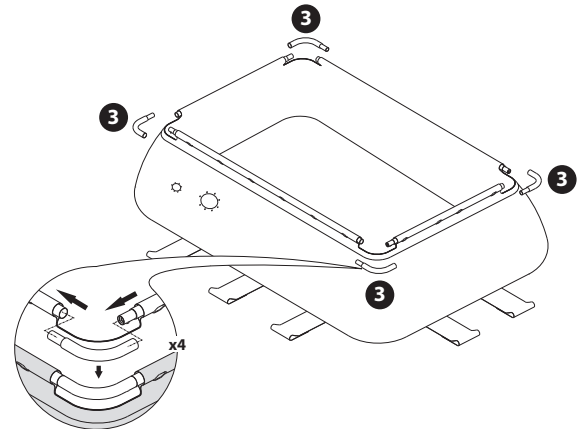


9. Carefully slide the connected Short Tubes ④ into the sleeves on the short sides of the pool.

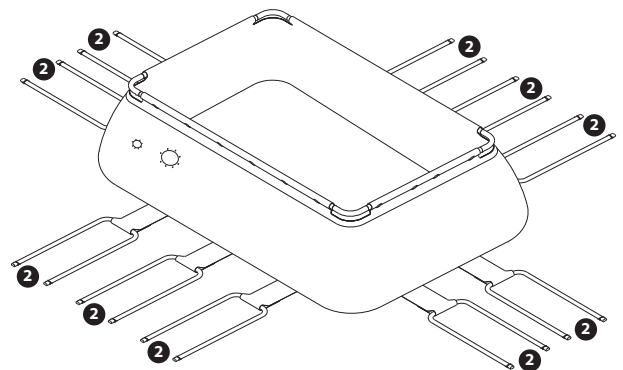


11. Connect the Corner Pieces ③ to the tubes at each of the 4 Corners. You should have a closed rectangular pool frame, which is the frame around the top of the pool.

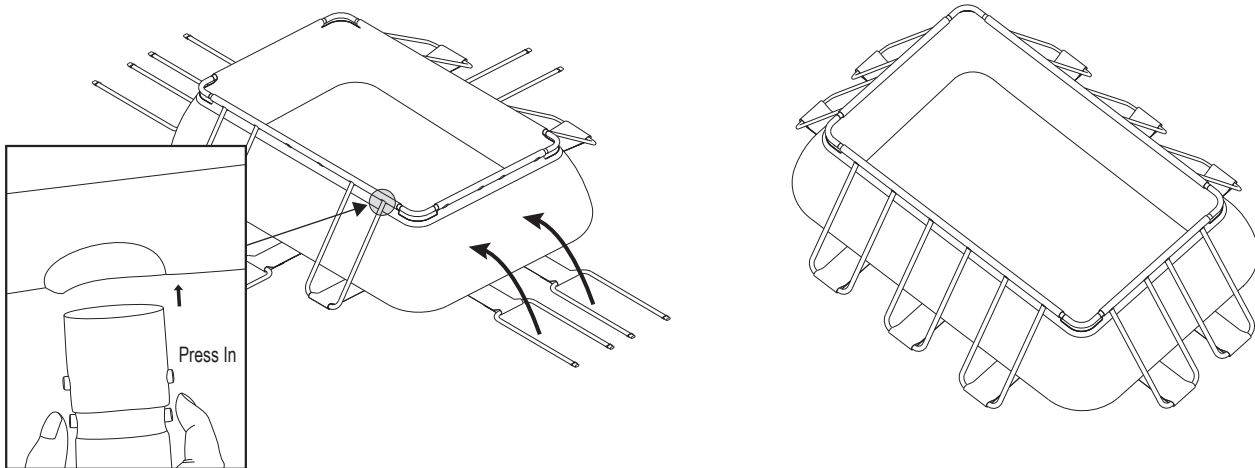
**NOTE:** The Corner Pieces ③ DO NOT have holes to catch the spring pins. THIS IS NORMAL. Only the Long and Short Tubes ④ & ⑤ have holes to catch the spring pins.



13. Continue to insert all of the U-Shaped Pipes ② as shown below.



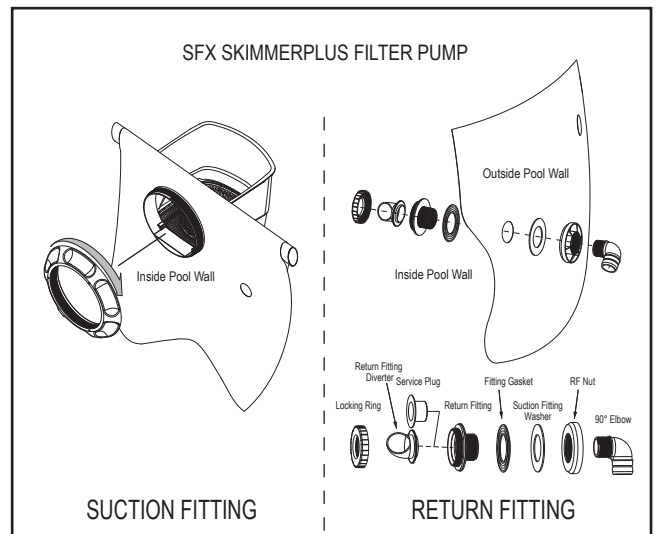
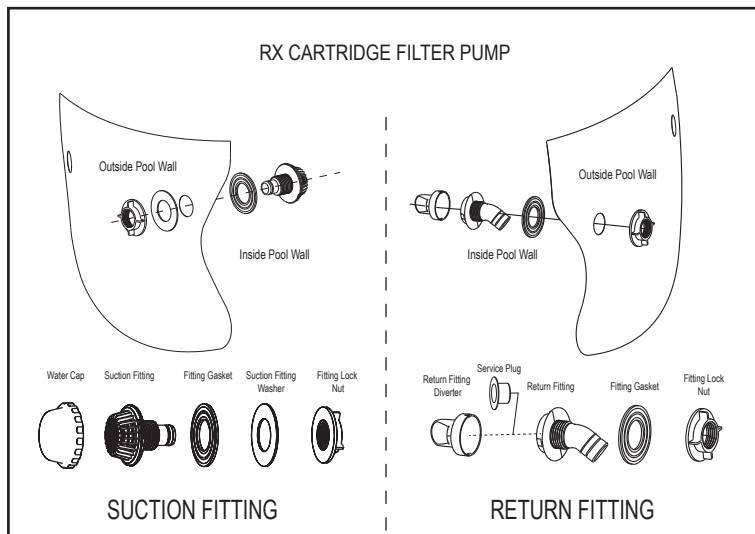
14. Insert the ends of the U-Shaped Pipes ② into the frame around the top of the pool as shown below. The final frame and liner assembly should look like the image on the right below. You are now ready to add your filtration system. **DO NOT** add water until the filter system is installed.



**IMPORTANT: BEFORE ADDING WATER TO YOUR POOL YOU MUST INSTALL THE POOL WALL FITTINGS OR ENTIRE FILTRATION SYSTEM FIRST. BEFORE ADDING WATER TO YOUR POOL FOLLOW THE INSTRUCTIONS BELOW.**

If your pool included openings or you are going to purchase a filter pump system, position the Suction & Return fitting locations so they are 10 to 21 feet from the electrical outlet you plan to use for the pool pump.

If your pool came with Fittings - Install both the Suction and Return fittings to the pool wall before filling the pool.



**NOTE:** For Sand Filter Pump / Cartridge Filter Pump CP2000-C, please follow the Sand Filter Pump / Cartridge Filter Pump CP2000-C owner's manual to set up the fitting. Please check the water pump's instruction manual for more instructions.

Please Note: The Black Rubber gasket (Fitting Gasket) should always be slid over the threaded plastic suction or return fitting and be on the inside before the fitting is placed through the pool wall to make a watertight connection.

Make sure to put on both the Water Cap and the Service Plug while you fill your pool, or until you are ready to add a filtration system.

## IMPORTANT: FOR POOLS THAT INCLUDE A COMPLETE FILTRATION SYSTEM.

- IF YOUR POOL INCLUDES A COMPLETE FILTRATION SYSTEM WE RECOMMEND THAT YOU COMPLETELY INSTALL THE ENTIRE FILTRATION SYSTEM FIRST BEFORE PUTTING ANY WATER IN YOUR POOL TO AVOID WATER LOSS.
- FOLLOW THE "SETUP INSTRUCTIONS" IN THE FILTER PUMP SYSTEM OWNER'S MANUAL TO INSTALL THE SYSTEM, THE POOL WALL FITTING(S) AND ALL HOSES AND CLAMPS BEFORE PUTTING ANY WATER IN YOUR POOL.

15. Make sure the liner drain fitting is plugged securely and the cap is in place. Then start filling the pool with water.

AFTER ABOUT 1 INCH OF WATER IS ON THE BOTTOM, STOP FILLING AND COMPLETELY SMOOTH OUT ALL THE WRINKLES ON THE BOTTOM OF THE POOL, WORKING OUTWARDS FROM THE CENTER. MAKE SURE THE FLOOR OF THE POOL IS COMPLETELY FLAT SO THAT THE POOL FILLS EVENLY.

IMPORTANT: IF MORE THAN 1-2 INCHES OF WATER COLLECTS ON ANY ONE SIDE BEFORE THE POOL STARTS FILLING IN THE CENTER, THE POOL IS NOT LEVEL ENOUGH, AND MUST BE CORRECTED. SEE "SITE PREPARATION" (p. 9).

ADDITIONAL NOTE: THE WEIGHT OF THE WATER WILL PREVENT ADJUSTMENT AFTER THIS POINT.

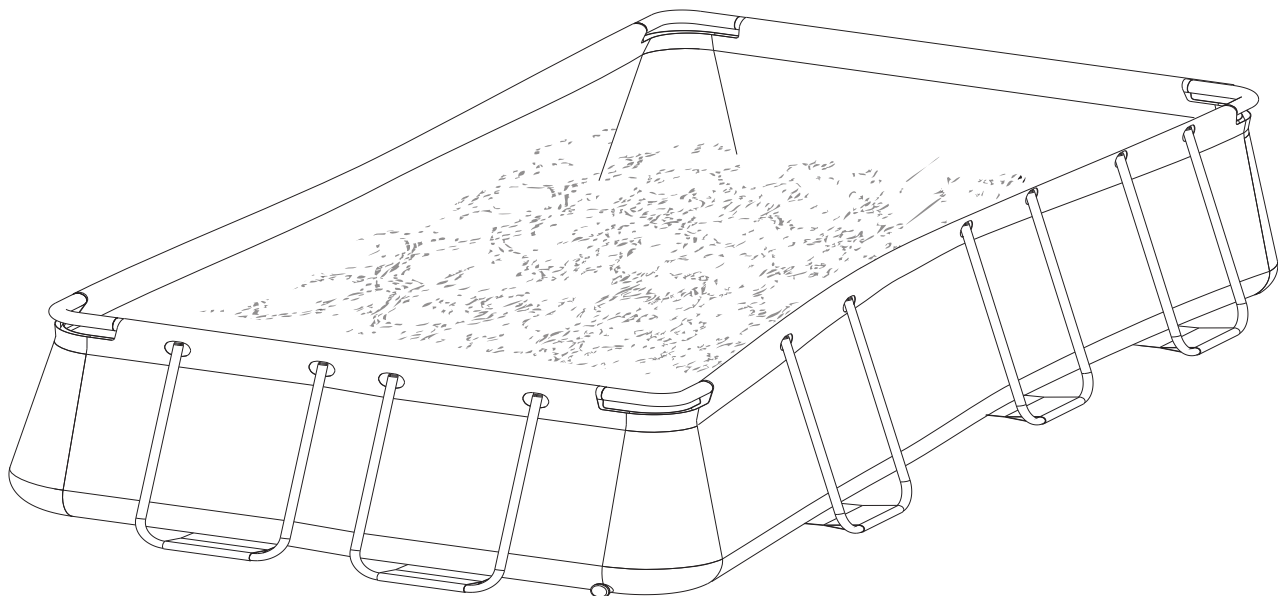
NOT FOLLOWING THE STEPS ABOVE WILL MAKE THE POOL FILL UNEVENLY AND THE POOL MAY LEAN TO ONE SIDE AND COLLAPSE. THE WATER IN YOUR POOL SHOULD FILL EVENLY. IF YOUR POOL IS LEANING AT ALL; THE GROUND MAY NOT BE LEVEL AND YOU WILL NEED TO START OVER.

- FAILURE TO FOLLOW THE INSTRUCTIONS ABOVE WILL CAUSE POOL TO COLLAPSE AND WILL VOID THE WARRANTY!

16. When the water is approximately half filled, the top frame will tend to bend down in the middle as shown below.

THIS IS ABSOLUTELY NORMAL.

Continue to fill with water up to the fill line printed on the inside of the liner wall, the frame will restore to its normal shape.



## POOL MAINTENANCE & DRAINAGE

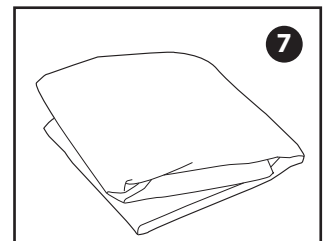
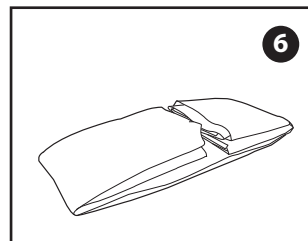
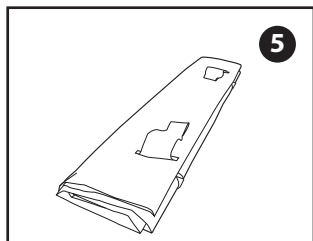
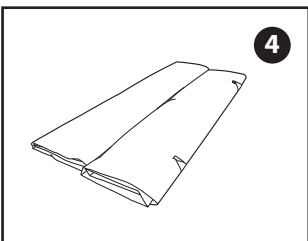
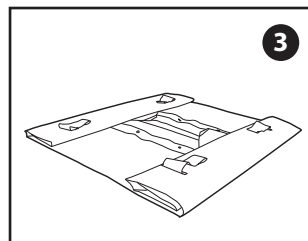
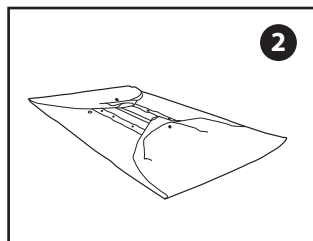
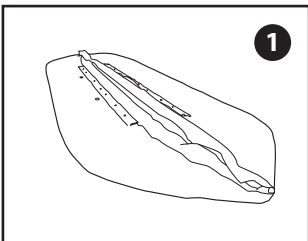
**⚠ CAUTION:** ALWAYS FOLLOW THE CHEMICAL MANUFACTURER'S DIRECTIONS, AND THE HEALTH AND HAZARD WARNINGS.

Do not add chemicals if the pool is occupied. This can cause skin or eye irritation. Concentrated chlorine solutions can damage the pool liner. In no event is Polygroup®, the buyer/retailers, or any other party liable for costs associated with the loss of pool water, chemicals, or water damage. Keep spare filter cartridges on hand. Replace cartridges every two weeks. We recommend the use of Polygroup® Filter Pump with all of our aboveground pools. To purchase a Polygroup® Filter Pump or other accessories, visit our website at [support.polygroupstore.com](http://support.polygroupstore.com) or call Polygroup® Consumer Services.

**EXCESSIVE RAIN:** To avoid damage to the pool and overfilling, immediately drain rain water that causes the water level to be higher than the FILL LINE.

### How to Drain Your Pool and Long Term Storage

1. Check local regulations for specific directions regarding disposal of swimming pool water.
2. Make sure the drain plug inside the pool is plugged in place.
3. Twist off the cap of the drain valve on the outside of the pool.
4. Attach a 5/8" garden hose to the drain valve.
5. Place the other end of the garden hose in an area where the water can be safely drained away from the house and other nearby structures.
6. Unplug the inner cap of the drain plug to start draining the pool.
7. When the water stops draining, start lifting the pool from the side opposite to the drain valve to drain any remaining water and empty the pool completely.
8. Replace the drain cap on outside of pool.
9. Remove all connecting parts.
10. Be sure that the pool and all parts are completely dry before storage. Air dry the liner in the sun until completely dry before folding (see drawing ①). Sprinkle some talcum powder to prevent the vinyl from sticking together and to absorb any residual moisture.
11. Create a square shape. Starting at one side, fold one-sixth of liner into itself twice. Do the same on the opposite side (see drawings ② & ③).
12. Once you have created two opposing folded sides, simply fold one over the other like closing a book (see drawings ④ & ⑤).
13. Fold the two long ends to the middle (see drawing ⑥).
14. Fold one over the other like closing a book, and finally compact the liner (see drawing ⑦).
15. Store the liner and accessories in a dry, temperature-controlled storage location above 32°F (0°C) and below 104°F (40°C).
16. The original packing can be used for storage.



## POOL STORAGE & WINTERIZING

This above ground pool cannot be winterized and must be drained, disassembled, and properly stored if you live in an area where the temperature drops below 32°F (0°C). If you are in a warmer environment, please follow the instructions below.

After usage, you can easily empty and store away your pool in a safe place (see long term storage above). Some pool owners, in warmer climates however, may choose to leave their pool up all year round. In cold areas, where freezing temperatures occur, there can be a risk of ice damage to your pool. Leaving your above ground pool set up in areas where the temperature drops below 32 degrees Fahrenheit (0 Celsius) voids the warranty.

### Winterizing Your Above Ground Pool

1. Clean the pool water thoroughly.
2. Remove the skimmer (if applicable) or any accessories attached to the threaded strainer connector. Replace strainer grid if necessary. Be sure all accessories parts are clean and completely dry before storage.
3. Plug the Inlet and Outlet fitting from the inside of the pool (if applicable).
4. Remove the ladder (if applicable) and store in a safe place. Be sure the ladder is completely dry before storage.
5. Remove the hoses that connect the pump and filter to the pool.
6. Add the appropriate chemicals for the winter period. Consult your local pool dealer as to which chemicals you should use and how to use them. This can vary greatly by region.
7. Cover pool with Polygroup® Pool Cover. IMPORTANT NOTE: Polygroup® POOL COVER IS NOT A SAFETY COVER.
8. Clean and drain the pump, filter housing, and hoses. Remove and discard the old filter cartridge. Keep a spare cartridge for the next season.
9. Bring pump and filter parts indoors and store in a safe and dry area, preferably between 0°C (32°F) and 40°C (104°F).

## POOL SAFETY SIGN

POST THIS WARNING NEAR YOUR POOL

# WARNING

## NO DIVING OR JUMPING SHALLOW WATER

**DIVING MAY RESULT IN PERMANENT INJURY OR DEATH**

- Be Safe.
- Children must be accompanied by an adult.
- Don't swim when using alcohol or drugs.
- Be familiar with the pool before swimming.

- No running, jumping, or horseplay in or around pool.
- No glass in pool area.

**TO AVOID SERIOUS INJURY ALL POOL USERS MUST KNOW AND FOLLOW THESE SAFETY RULES.**



## POOL COVER SAFETY

IF YOU ARE GOING TO USE A POOL COVER, SOLAR COVER, OR SOLAR BLANKET, PLEASE READ THIS INFORMATION.

### POOL COVER WARNING / SOLAR COVER WARNING / SOLAR BLANKET WARNING



## WARNING

### AVOID DROWNING RISK

STAY OFF THE COVER AND BLANKET - IT WILL NOT SUPPORT WEIGHT.

KEEP CHILDREN AWAY. CHILDREN OR OBJECTS CAN NOT BE SEEN UNDER COVER AND BLANKET.

REMOVE STANDING WATER - CHILDREN CAN DROWN ON TOP OF COVER.

REMOVE COVER AND BLANKET COMPLETELY BEFORE ENTRY OF SWIMMERS - ENTRAPMENT POSSIBLE.

NON-SECURED OR IMPROPERLY SECURED COVER AND BLANKET ARE A HAZARD.

FAILURE TO FOLLOW ALL INSTRUCTIONS MAY RESULT IN INJURY OR DROWNING.

THIS IS NOT A SAFETY COVER.

INSTALL COVER AND BLANKET WITH LABELS FACING UP.

USE DRAWSTRING TO SECURE COVER TO POOL. THIS COVER MEETS REQUIREMENTS DESCRIBED IN SPECIFICATION F-1346 (ASTM).

## VERY IMPORTANT

DO NOT USE A POOL COVER, SOLAR COVER, OR SOLAR BLANKET ON THIS POOL IF IT DOES NOT HAVE THIS TYPE OF WARNING LABEL ON THE COVER.

## DANGER:

Competent supervision and knowledge of the safety requirements are the only ways to prevent drowning or permanent injury in the use of this product!

Never leave young children unattended.



# SUMMER WAVES® PISCINE TUBULAIRE RECTANGULAIRE ÉLITE

POUR PISCINES HORS-SOL

Modèles de 3,96 m - 9,75 m (13' - 32')



## LIRE ET GARDER CES INSTRUCTIONS POUR CONSULTATION ULTÉRIEURE

Pour obtenir des réponses aux questions les plus fréquentes, des vidéos de configuration et des conseils de dépannage, visitez le site [support.polygroupstore.com](http://support.polygroupstore.com) ou appelez le service à la clientèle : +1 (888) 919-0070

**NE RETOURNEZ PAS L'ARTICLE  
AU DÉTAILLANT**



Pour commander des pièces ou des accessoires veuillez consulter : [www.polygroupstore.com](http://www.polygroupstore.com)



Si vous venez à rencontrer un problème avec votre produit Polygroup®, nous vous prions de ne pas retourner le produit au lieu d'achat. Toute réclamation sous garantie doit être soumise directement à Polygroup®. Pour tout problème relatif à l'installation et au dépannage, visitez le site [support.polygroupstore.com](http://support.polygroupstore.com). Service à la clientèle : +1 (888) 919-0070. Vous pourriez devoir retourner le produit entier ou la pièce en question aux fins d'inspection et/ou réparation. Ne pas retourner les produits à Polygroup® sans avoir le numéro d'autorisation de renvoi.

## TABLE DES MATIÈRES

Avertissements.....	3 ~ 6
Liste des pièces .....	7 ~ 8
Instructions d'assemblage .....	9 ~12
Entretien et vidange de la piscine .....	13
Hivernage et stockage de la piscine et signalisation de sécurité de la piscine .....	14
Sécurité des couvertures de piscine .....	15

### Garantie limitée

Polygroup® Trading Limited (ci-après « Polygroup® ») fabrique des produits de la meilleure qualité possible. Tous les produits Polygroup® ont été inspectés pour s'assurer qu'ils sont exempts de tout vice de matière et de fabrication avant de quitter l'usine. Polygroup® offre une garantie de 90 jours à compter de la date d'achat pour la réparation ou le remplacement des produits de piscine. Les clauses de la présente garantie limitée peuvent être invoquées uniquement par l'acquéreur initial. Veuillez conserver le ticket de caisse de la boutique qui vous a vendu initialement votre produit. Cette preuve d'achat devra obligatoirement accompagner toute demande sous garantie faite à Polygroup® ou à ses agents agréés. La présente garantie limitée ne pourra pas être invoquée sans preuve d'achat, en cas de modification ou de réparation du produit par l'acquéreur lui-même ou par une personne non autorisée, d'utilisation de pièces ou accessoires qui ne sont pas fournis par Polygroup®, d'utilisation du produit contraire aux consignes du fabricant, d'utilisation d'une tension incorrecte, d'usage abusif quelconque du produit ou en cas d'accident ou de négligence. La présente garantie limitée ne couvrira pas les dommages indirects, y compris les demandes relatives à une perte d'eau, de produits chimiques pour piscine, des dommages-intérêts, la main d'œuvre, l'usure normale, ni les événements de force majeure indépendants de la volonté de Polygroup®. Les défauts qui ne sont pas des vices de fabrication, comme par exemple des herbes qui pourraient pousser à travers le tapis de sol et/ou le liner sont des exemples dont Polygroup® ne saurait être tenu responsable.

**EN AUCUN CAS Polygroup®, SES AGENTS AGRÉÉS, SES ENTITÉS ASSOCIÉES OU SES EMPLOYÉS NE POURRAIENT ÊTRE TENUS RESPONSABLES ENVERS L'ACQUÉREUR OU TOUTE AUTRE PARTIE DE DOMMAGES DIRECTS OU INDIRECTS.** Certains états, pays ou autres juridictions n'autorisent pas l'exclusion ou la limitation des dommages accidentels ou indirects, par conséquent la limitation ou l'exclusion suscitée peut ne pas vous concerner.

La présente garantie ne couvre pas les déstockages, les produits défectueux vendus par une usine ou les produits revendus (c.-à-d. produits issus de vide grenier, enchères en ligne ou commerçants en ligne qui ne sont pas achetés directement à Polygroup®). Tous les problèmes liés à des articles achetés auprès de ce type de commerçant / vendeur devront être résolus par ces commerces. Les articles achetés dans des boutiques éphémères seront traités dans le cadre d'une politique dite de « vente ferme ».

## CONSIGNES DE SÉCURITÉ IMPORTANTES

Lors de l'installation et de l'utilisation de cet produit, respectez toujours des précautions de sécurité élémentaires, parmi lesquelles :

### LISEZ ET RESPECTEZ TOUTES LES INFORMATIONS ET INSTRUCTIONS

Conserver pour consultation ultérieure. Ne pas respecter ces mises en garde et instructions peut provoquer des blessures graves ou la mort des utilisateurs, notamment des enfants.

## ⚠️ AVERTISSEMENT



### ⚠️ DANGER

#### EMPÊCHER LA NOYADE!

SURVEILLEZ ÉTROITEMENT LES ENFANTS QUI SE TROUVENT DANS OU PRÈS DE CETTE PISCINE. LES ENFANTS DE MOINS DE 5 ANS SONT LES PLUS EXPOSÉS AU RISQUE DE NOYADE. VIDÉZ LA PISCINE OU EMPÊCHEZ SON ACCÈS QUAND ELLE N'EST PAS UTILISÉE.

#### NE PAS PLONGER!

DANS DE L'EAU PEU PROFONDE, VOUS POUVEZ VOUS BRISER LE COU ET ÊTRE PARALYSÉ.

### ⚠️ AVERTISSEMENT

**NE PAS S'ASSOIR OU S'ALLONGER SUR LA PAROI DE LA PISCINE**

#### ÉVITER D'ÊTRE PIÉGÉ!

RESTEZ ÉLOIGNÉ DES RACCORDS D'ASPIRATION ET DE VIDANGE. VOS CHEVEUX, VOTRE CORPS ET VOS BIJOUX PEUVENT ÊTRE ASPIRÉS DANS L'ORIFICE DE VIDANGE. VOUS POURRIEZ ÊTRE MAINTENU SOUS L'EAU ET VOUS NOYER. N'UTILISEZ PAS LA PISCINE SI LE BOUCHON DE LA SORTIE D'ASPIRATION OU DE VIDANGE EST MANQUANT OU CASSÉ.



- Installez la piscine exclusivement sur un sol **HORIZONTAL, STABLE** et **COMPACTÉ**.
- **N'INSTALLEZ PAS** la piscine sur une surface de sable.
- S'il y a trop de sable dans la piscine, cela peut **ENDOMMAGER** le liner et le système de filtration de la piscine. Ne pas respecter ces consignes annule la garantie.

**REMARQUE :** LES LOIS NATIONALES OU LOCALES PEUVENT EXIGER DES CLIENTS ACHETANT UNE PISCINE DE SUPPORTER DES FRAIS SUPPLÉMENTAIRES LORS DE L'INSTALLATION D'UNE PISCINE POUR ÊTRE CONFORME AUX LOIS NATIONALES ET LOCALES RELATIVES AU CLÔTURAGE ET À D'AUTRES EXIGENCES DE SÉCURITÉ. LES CLIENTS DOIVENT CONTACTER L'AGENCE LOCALE CHARGÉE DE L'APPLICATION DU CODE DE LA CONSTRUCTION POUR PLUS DE DÉTAILS. POLYGROUP® NE PEUT ÊTRE TENU RESPONSABLE DES FRAIS SUPPLÉMENTAIRES QUE VOUS POURRIEZ ENGAGER.

## Sécurité des Enfants

### Risque de Noyade :

1. Désignez un adulte comme responsable de la surveillance des enfants dans la piscine. Donnez à cette personne une carte « surveillant de baignade » et demandez-lui de la porter pendant toute la durée où elle est en charge de la surveillance des enfants dans la piscine. Si elle doit s'éloigner, demandez-lui de donner la carte « surveillant de baignade » et la responsabilité de la surveillance à un autre adulte. **Pour obtenir des cartes de surveillant de baignade de rechange, allez sur le site : [www.polygroupstore.com](http://www.polygroupstore.com).**
2. La piscine présente un risque de noyade, même pendant son remplissage et sa vidange. Maintenez une supervision constante des enfants et ne retirez aucune barrière de sécurité tant que la piscine n'est pas complètement vidée et rangée.
3. Les enfants, notamment les jeunes enfants de moins de cinq ans, présentent un risque de noyade très élevé. La noyade se produit en silence et rapidement, la noyade peut se produire dans une profondeur d'eau aussi réduite que 5 cm (2").
4. Veillez à toujours garder un contact visuel direct avec les enfants, restez près d'eux et surveillez-les activement quand ils sont dans ou près de cette piscine et quand vous la remplissez ou la videz.
5. Lors de la recherche d'un enfant manquant, contrôlez d'abord la piscine, même si vous pensez que l'enfant est dans la maison.
6. Ne laissez pas de jouets dans la piscine quand vous avez fini de l'utiliser, car les jouets et les objets similaires peuvent attirer un enfant dans la piscine. Placez les meubles (par exemple les tables et les chaises) loin de la piscine pour que les enfants ne puissent pas grimper dessus afin d'accéder à la piscine. Après utilisation de la piscine, videz l'eau jusqu'à ce qu'il ne reste plus qu'une profondeur maximale de 1 cm (0,5").
7. Placez les pompes et les filtres en sorte que les enfants ne puissent pas grimper dessus et accéder à la piscine.

## Barrières de Piscine

### Très Important :

1. Les barrières de piscine, qui restreignent l'accès des jeunes enfants à la piscine, peuvent être exigées par la loi. Une barrière est nécessaire pour fournir une protection contre les noyades et quasi-noyades potentielles. Les barrières ne sont pas des substituts à la supervision constante des enfants.
2. Contrôlez constamment l'accès des enfants à la piscine en installant une clôture ou une autre barrière homologuée tout autour de la piscine. Les lois et réglementations locales peuvent exiger l'installation d'une clôture ou d'autres barrières homologuées. Prenez connaissance des lois et réglementations locales et nationales avant d'installer la piscine.
3. Voir la dernière édition publiée de la Publication N° 362 du CPSC disponible sur [www.poolsafely.gov](http://www.poolsafely.gov).

## Équipement de piscine

1. L'utilisation d'éclairage de piscine artificiel se fait à la discrétion du propriétaire de la piscine. L'éclairage, si installé, doit être conforme à l'Article 680 du National Electrical Code (NEC®) ou de sa dernière édition approuvée et il doit être installé en consultation avec un électricien professionnel diplômé.
2. Maintenez tous les câbles électriques, radios, haut-parleurs et autres appareils électriques éloignés de la piscine.
3. Ne placez pas la piscine près ou sous des lignes électriques surplombantes.
4. Pour les piscines, les fontaines et les installations similaires, ainsi que tout code local ou provincial, toutes les composantes électriques installées dans et / ou adjacents à une piscine résidentielle / hors terre doivent être conformes aux exigences de la dernière version publiée de la norme NFPA 70, Code national de l'électricité (NEC®) Article 680. Pour plus d'informations, visitez [www.nfpa.org](http://www.nfpa.org).

## Connaissance de la piscine

### Avertissement :

1. **DOIT ÊTRE ASSEMBLÉ PAR LES ADULTES** : cette piscine peut contenir des bords coupants potentiellement dangereux, des pointes coupantes ou de petites pièces.
2. **N'installez pas la piscine sur une pente ou une surface inclinée, ni sur un sol meuble ou mou (par exemple du sable ou de la boue), ni sur une surface surélevée (par exemple une terrasse, une plateforme ou un balcon) qui peut s'effondrer sous le poids de la piscine remplie.**
3. **ÉVITER LE DANGER D'ÉTOUFFEMENT** : maintenez le sac en plastique utilisé dans cet article loin des bébés et des enfants. N'utilisez pas le sac dans les berceaux, lits, poussettes et parcs pour bébé. Le sac en plastique peut boucher le nez et la bouche et empêcher la respiration. Le sac en plastique n'est pas un jouet.
4. N'utilisez pas la piscine si un couvercle de vidange ou d'aspiration est manquant ou endommagé. L'aspiration peut entraîner le coincement d'une partie du corps, l'enchevêtrement des cheveux et des bijoux, ou la noyade. Réparez ou remplacez le couvercle de vidange ou d'aspiration avant de réutiliser la piscine.
5. Lors de l'utilisation de la piscine la nuit, un éclairage artificiel doit être utilisé pour éclairer tous les signaux de sécurité, les échelles, les marches, les surfaces du pont et les allées.
6. Le fond de la piscine doit être visible en permanence depuis le périmètre extérieur de la piscine.
7. Maintenez votre piscine propre et limpide. La partie la plus profonde de la piscine doit être visible en permanence depuis la barrière extérieure de la piscine.
8. Appelez en cas d'urgence si nécessaire.
9. Des équipements de sauvetage basiques doivent être disponibles immédiatement en permanence, parmi lesquels :
  - Une perche rigide, solide et légère (avec houlette) d'au moins 366 cm (12 pi) de long.
  - Une corde d'un diamètre minimal de 6,35 mm (1/4 po) dont la longueur est au moins 1,5 fois la largeur maximale de la piscine ou 15,24 m (50 pi), la plus petite des deux valeurs étant retenue, qui a été solidement attaché à une bouée couronne homologuée par les garde-côtes et dont le diamètre externe est d'environ 38,1 cm (15 po) ou un dispositif de flottaison homologué similaire.
10. La piscine peut s'user et s'abîmer. Si elle n'est pas correctement entretenue, certains types de détériorations excessives ou accélérées peuvent conduire à l'effondrement de la structure de la piscine, ce qui peut provoquer le déversement de grandes quantités d'eau pouvant provoquer des blessures corporelles et des dommages matériels.
11. N'autorisez jamais les jeux tapageurs, les plongeurs et les sauts dans et autour de la piscine. Cela pourrait entraîner des blessures graves, la paralysie ou la mort. **N'AUTORISEZ AUCUNE** personne à nager seule sans supervision.
12. La piscine doit être placée à une distance minimale de 1,83 m de toute prise électrique, et toutes les prises électriques de 125 V 15 A ou 20 A situées à moins de 6,0 m de la piscine doivent être protégées par un disjoncteur différentiel de fuite à la terre (GFCI), avec les distances mesurées par le plus court chemin qui serait celui de la rallonge électrique d'un appareil branché dans une prise électrique sans percer de sol, de mur, de plafond, de porte battante ou coulissante, d'ouverture de fenêtre ou d'autres barrières permanentes effectives jusqu'à la paroi interne de la piscine.

## Systèmes de circulation

1. Suivez les instructions concernant le positionnement de tous les équipements connectés aux systèmes de circulation et le fonctionnement des composants.
2. L'équipement de circulation doit être installé conformément aux instructions du fabricant pour que le support et la fixation soient appropriés, pour éviter les dommages dus à un mauvais alignement, à un tassement et à des vibrations, et pour minimiser le risque d'accumulation de débris et d'humidité. Consultez la notice d'utilisation de la pompe.
3. La pompe de rechange ne doit jamais dépasser le débit nominal maximal spécifié sur le raccord d'aspiration.

## Échelle

1. L'échelle doit être située sur une base solide et doit être installée conformément aux instructions du fabricant.
2. Il ne doit y avoir qu'une seule personne sur l'échelle à la fois.
3. L'échelle doit être conçue et fabriquée pour une hauteur de paroi de piscine spécifique.
4. Pour entrer et sortir de la piscine, restez en permanence face à l'échelle.
5. Pour prévenir le piégeage ou la noyade, ne nagez pas à travers, derrière ou autour de l'échelle.
6. Retirez et sécurisez l'échelle quand la piscine n'est pas utilisée.

## Couverture de piscine

Les couvertures de piscine utilisées comme barrières de sécurité doivent être conformes à la dernière édition publiée de l'ASTM F-1346, aux spécifications de performance standards pour les couvertures de sécurité et aux exigences d'étiquetage pour toutes les couvertures de piscine, spa et jacuzzi.

## Produits d'entretien

Par sécurité, veillez à ce que la partie la plus profonde de la piscine soit toujours visible. L'utilisateur doit veiller à ce que l'eau de piscine reste en permanence limpide. Contrôlez régulièrement le pH et le niveau de chlore, et vérifiez qu'ils sont dans les limites recommandées. Des produits chimiques de traitement de l'eau additionnels peuvent être requis de temps en temps. Faites tester un échantillon d'eau par une boutique locale d'articles d'entretien pour piscine afin de déterminer si des produits chimiques supplémentaires sont requis. Démarrez la pompe pendant les heures quotidiennes recommandées. En cas de doute sur les délais, consultez le site [support.polygroupstore.com](http://support.polygroupstore.com) pour connaître les durées de fonctionnement recommandées pour la pompe, en fonction du type et de la taille de la piscine. Lavez et remplacez fréquemment la cartouche filtrante. Remplacez-la exclusivement par une cartouche filtrante d'origine de la marque Polygroup® / Summer Waves®. Consultez la notice de la pompe de filtration pour obtenir des informations supplémentaires d'entretien de l'eau.



## Risque de piégeage

1. Éviter le piégeage : il ne doit y avoir aucun objet saillant ou autre obstruction dans la zone de nage, car cela peut provoquer le piégeage ou l'étranglement de l'utilisateur. Si un bouchon de sortie d'aspiration est manquant ou cassé, n'utilisez pas la piscine. L'aspiration peut provoquer le piégeage d'une partie du corps, l'emmêlement des cheveux et des bijoux, l'éviscération et la noyade.
2. Ne jouez jamais et ne nagez jamais près des raccords d'aspiration et de vidange. Votre corps ou vos cheveux pourraient être piégés, ce qui provoquerait des blessures irréversibles ou la noyade.

## Risque de noyade

1. Contrôlez constamment l'accès des enfants à la piscine en installant une clôture ou une autre barrière homologuée tout autour de la piscine. Les lois et réglementations locales peuvent exiger l'installation d'une clôture ou d'autres barrières homologuées. Prenez connaissance des lois et réglementations locales et nationales avant d'installer la piscine.
2. Retirez les échelles de piscine avant de laisser la piscine sans surveillance.
3. Les jouets, les chaises, les tables et les objets similaires sur lesquels un jeune enfant pourrait grimper doivent être éloignés d'au moins 121,92 cm (4 pi) de la piscine. Le système de la pompe de filtration doit être placé en sorte de ne pas pouvoir être utilisé comme moyen d'accès à la piscine par les jeunes enfants.

## Risques des plongeurs

1. Les piscines résidentielles hors-sol/posées sont conçues exclusivement pour nager et patauger. Aucun plongeur, toboggan ou autre équipement ne doit être ajouté à une piscine hors-sol/posée.
2. Ne plongez pas dans cette piscine. Plonger dans une faible profondeur d'eau peut provoquer une fracture du cou, la paralysie ou la mort.

## Risque d'électrocution

1. Maintenez tous les câbles électriques, radios, haut-parleurs et autres appareils électriques loin de la piscine.
2. Ne placez pas la piscine près ou sous des lignes électriques surplombantes.

## Premiers secours

1. Veiller à ce qu'il y ait toujours un téléphone et la liste des numéros d'urgence près de la piscine.
2. Obtenez un certificat en réanimation cardio-pulmonaire (RCR). En cas d'urgence, utiliser immédiatement la réanimation cardio-pulmonaire peut permettre de faire la différence entre la vie et la mort.

## Mises en garde spéciales

1. Les codes de la construction locaux peuvent exiger l'obtention d'un permis de travaux électriques ou de construction. L'installateur doit respecter les réglementations relatives aux retraits, barrières, appareils et autres installations.
2. Les signaux de sécurité doivent être conformes aux exigences de ANSI-Z535 et utiliser des mentions d'avertissement.
3. N'ESSAYEZ PAS d'assembler cette piscine par mauvais temps, par temps venteux ou quand la température est inférieure à 16°C (60°F).
4. Ce produit est une piscine stockable qui doit être démontée et rangée quand une baisse de la température sous 0°C (32°F) est prévue.
5. Garantir que toutes les piscines et leurs composants relatifs installés dans un environnement d'intérieur sont conformément aux exigences de ventilation de ANSI/ASHRAE 62 ou de la dernière édition publiée de la Ventilation pour la qualité de l'air intérieur acceptable (« Ventilation for acceptable indoor air quality »), Tableau 2, Article 2.1.
6. Le positionnement de la piscine et des piscines portables doit être conforme aux codes de la construction et réglementations de sécurité locaux.

## Consignes de sécurité supplémentaires

1. Avant de toucher le filtre, la pompe ou des pièces électriques, vérifiez que le sol sous vos pieds est totalement sec.
2. Branchez les câbles d'alimentation exclusivement dans une prise de terre à 3 brins.
3. Maintenez tous les objets cassants hors de la zone de la piscine.
4. Ne mélangez pas la consommation d'alcool et la baignade. Ne permettez jamais à quiconque de nager, de plonger ou de glisser sous l'influence de l'alcool ou de drogues.
5. Une décharge électrique grave pourrait se produire si vous installez votre pompe à filtre sur une terrasse. La pompe ou le filtre pourrait tomber dans l'eau, provoquant un choc grave ou une électrocution.
6. N'autorisez pas le chahut et les bousculades.
7. N'effectuez aucune activité sous l'eau en retenant longtemps votre respiration, car vous risquez de perdre conscience et de vous noyer.
8. Installez un ou plusieurs escaliers/échelles pour entrer et sortir de la piscine.
9. Vérifiez régulièrement les signes d'usure sur la toile ou les pièces détachées qui pourraient rendre la piscine dangereuse.
10. Instruisez les utilisateurs de la piscine sur l'utilisation appropriée de tous les escaliers et échelles de piscine.
11. Inspectez tous les écrous et toutes les vis régulièrement pour vérifier que l'échelle est stable et solide.
12. Contactez le fabricant ou le distributeur de piscine local pour obtenir des consignes de sécurité supplémentaires si cela est considéré nécessaire.
13. Pour la maintenance de la piscine, sélectionnez un professionnel agréé. Pour plus d'informations de sécurité, allez sur le site : [www.APSP.org](http://www.APSP.org)

## Source et documents d'informations pour le consommateur

**CONTACT** : Commission américaine de la sécurité des produits de consommation à l'adresse [www.cpsc.gov/safety-education/safety-guides/pools-and-spas](http://www.cpsc.gov/safety-education/safety-guides/pools-and-spas), Pub. N° 362 « Barrière de sécurité Directives pour les pools à domicile. »

1. Comment profiter de votre spa ou de votre bain à remous de manière raisonnable
2. Les enfants ne sont pas résistants à l'eau
3. Différents niveaux de protection
4. Mesures d'urgence pour les bébés et les enfants dans les piscines et spas
5. Des exemplaires "Sensibilisation à la sécurité" des brochures susmentionnées sont disponibles gratuitement auprès de l'APSP. Aller à : [www.APSP.org](http://www.APSP.org)

## Des matériels et programmes éducatifs d'information sur la sécurité

Programmes éducatifs et matériels (c.-à-d. des séminaires, ateliers, brochures, vidéos, guides) sont disponibles auprès de l'APSP, d'autres organismes de sécurité aquatique et de sociétés privées. Comme moyen de communication des informations de sécurité utiles aux opérateurs/propriétaires et utilisateurs de piscine, les industriels membres sont autorisés à fournir de telles informations aux opérateurs/propriétaires et à demander ou exiger que les opérateurs/propriétaires signent une déclaration indiquant qu'ils ont reçu, lu et respecteront les recommandations.

### Autres sources d'informations sur la sécurité:

- [www.cdc.gov](http://www.cdc.gov)
- [www.cpsc.gov](http://www.cpsc.gov)
- [www.drowningpreventionalliance.com](http://www.drowningpreventionalliance.com)
- [www.nspf.org](http://www.nspf.org)
- [www.safekids.org](http://www.safekids.org)

### NSF NSF International

P.O. Box 130140  
789 N. Dixboro Road  
Ann Arbor MI 481105  
Contact: 800-673-6275 ou 734-769-8010  
[www.nsf.org](http://www.nsf.org)

### ANSI American National Standards Institute

25 West 43rd Street, New York NY 10036  
Contact: 212-642-4900  
[www.ansi.org](http://www.ansi.org)

### ASTM ASTM International (anciennement American Society of Testing & Materials)

100 Barr Harbor Drive, P.O. Box C700 West Conshohocken, PA 19428-2959  
Contact: 877-909-2786 (USA & CANADA) ou 610-832-9585 (international)  
[www.astm.org](http://www.astm.org)

### Association APSP des professionnels de la piscine et du spa

(anciennement National Spa and Pool Institute)  
2111 Eisenhower Avenue, Ste. 500  
Alexandria VA 22314-4679  
Contact: 703-838-0083  
[www.apsp.org](http://www.apsp.org)

### Code national de l'électricité NEC (voir NFPA)

NFPA National Fire Protection Association  
1 parc de batteries, Quincy MA 02169-7471  
Contact: 800-344-3555 (États-Unis et Canada) ou 617-770-3000 (international)  
[www.nfpa.org](http://www.nfpa.org)

### Institut national des spas et piscines NSPI (voir APSP)

#### UL Underwriters Laboratories

333 Pfingsten Road, Northbrook IL 60062-2096  
Contact: 877-854-3577 ou 847-272-8800  
[www.ul.com](http://www.ul.com)

### ASME Société américaine des ingénieurs en mécanique

Deux Park Avenue, New York NY 10016-5990  
Contact: 800-843-2763 (États-Unis et Canada) ou 973-882-1170  
(hors Amérique du Nord)  
[www.asme.org](http://www.asme.org)

## Systèmes de Filtration

Tout équipement raccordé au système de circulation doit être positionnés en sorte de ne pas pouvoir être utilisé comme moyen d'accès à la piscine par les jeunes enfants. (Voir la dernière publication de la norme «ANSI/APSP-8 Normes pour barrières de piscines résidentielles, de spas et de cuves thermales».)

### Barrière

Une barrière est nécessaire pour fournir une protection contre les noyades et quasi-noyades potentielles, mais les barrières ne sont pas un substitut à la supervision constante des enfants. (Voir la dernière publication de la norme «ANSI/APSP-8 Normes pour barrières de piscines résidentielles, de spas et de cuves thermales».)


## Risques de Noyade et de Piégeage, et Accidents de Plongeon

Des publications sont disponibles décrivant les risques de noyade et de piégeage, et les accidents de plongeon. Les publications disponibles portant sur la sécurité des piscines comprennent les brochures de l'Association of Pool and Spa Professionals (APSP) intitulées : «Comment profiter de votre spa ou de votre bain à remous de manière raisonnable», «Les enfants ne sont pas étanches», «Mesures d'urgence pour les bébés et les enfants dans les piscines et spas», «Différents niveaux de protection», et la dernière publication de la norme «ANSI/APSP-8 Normes pour barrières de piscines résidentielles, de spas et de cuves thermales».

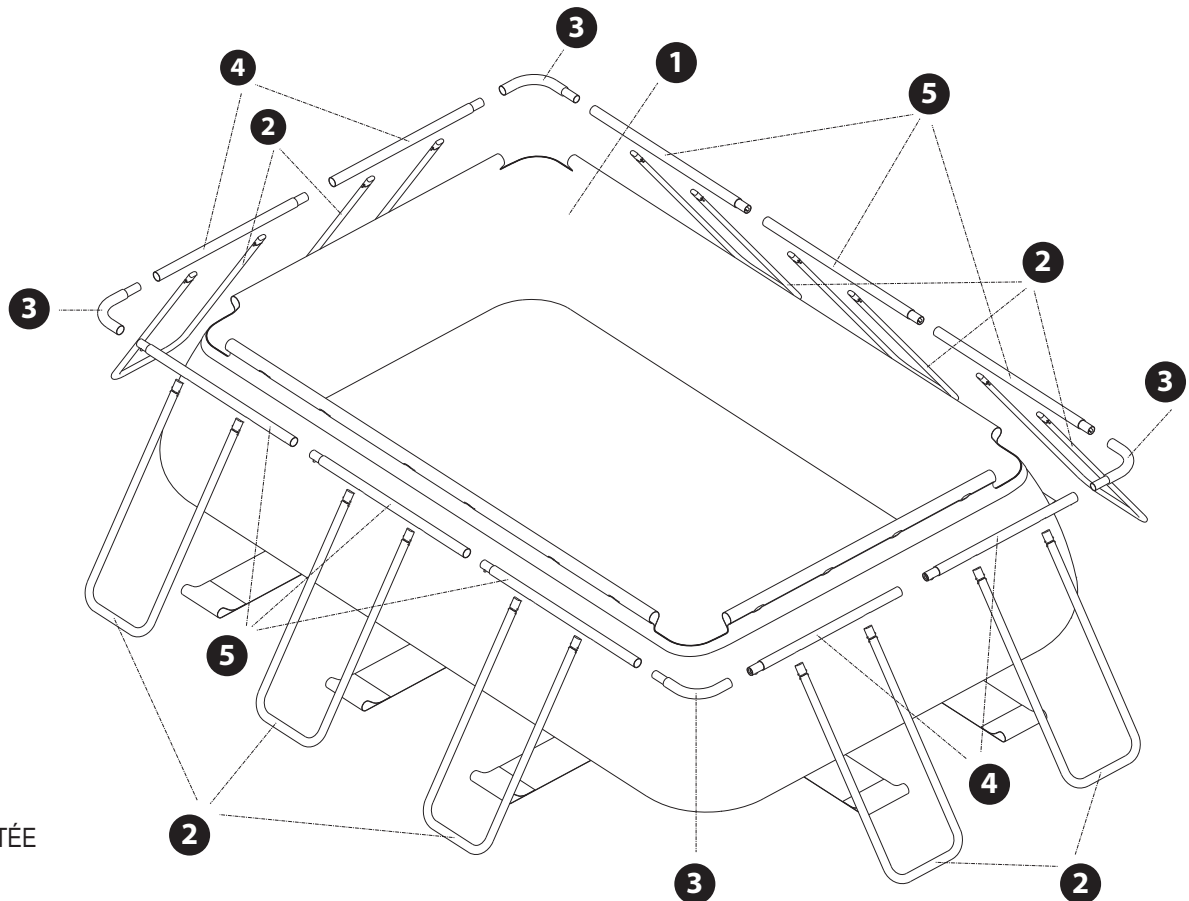
## Responsabilités de l'installateur

Tous ces composants doivent être positionnés en sorte de ne pas pouvoir être utilisé comme moyen d'accès à la piscine par les jeunes enfants. Tous les signaux de sécurité doivent être fixés plus haut que la ligne d'eau conformément aux instructions du fabricant. (Voir la dernière publication de la norme «ANSI/APSP-8 Normes pour barrières de piscines résidentielles, de spas et de cuves thermales».)

## LISTE DES PIÈCES

	1			2		3		4		5		6		7		8		
	Liner de Piscine			Tuyau en U		Pièce de Coin		Tube Court		Tube Long		Capuchon de Tube en U (avec 2 extra)		Goupille ressort en O (avec 1 extra)		Goupille ressort en V (avec 1 extra)		
Dimensions de la piscine	N° de Pièce			Qté	N° de Pièce	Qté	N° de Pièce	Qté	N° de Pièce	Qté	N° de Pièce	Qté	N° de Pièce	Qté	N° de Pièce	Qté	N° de Pièce	Qté
13.1'X6.5'X39" (399x198x99) cm	P41307391099	P41307397099	P41307398099	1	P5A4B0003C01	10	P5A5A0001C01	4	P5A1B0009C01	4	P5A1B0011C01	6	P5ANPF089E01	20	P5APF1180E01	10	P5ANPF088E01	20
13.1'X6.5'X48" (399x198x122) cm	P41307481099	P41307487099	P41307488099	1	P5A4B0002C01	10	P5A5A0001C01	4	P5A1B0009C01	4	P5A1B0011C01	6	P5ANPF089E01	20	P5APF1180E01	10	P5ANPF088E01	20
15'X7.38'X48" (549x225x122) cm	P41507481099	P41507487099	P41507488099	1	P5A4B0002C01	12	P5A5A0001C01	4	P5A1B0008C01	4	P5A1B0010C01	8	P5ANPF089E01	24	P5APF1180E01	12	P5ANPF088E01	24
18'x09'x48" (549x274x122) cm	P41809481099	P41809487099	P41809488099	1	P5A4B0002C01	12	P5A5A0001C01	4	P5A1B0003C01	4	P5A1B0006C01	8	P5ANPF089E01	24	P5APF1180E01	12	P5ANPF088E01	24
18'x09'x52" (549x274x132) cm	P41809521099	P41809527099	P41809528099	1	P5A4B0001C01	12	P5A5A0001C01	4	P5A1B0003C01	4	P5A1B0006C01	8	P5ANPF089E01	24	P5APF1180E01	12	P5ANPF088E01	24
24'x12'x52" (732x366x132) cm	P42412520099	P42412527099	P42412528099	1	P5A4B0001C01	18	P5A5A0001C01	4	P5A1B0005C01	6	P5A1B0007C01	12	P5ANPF089E01	36	P5APF1180E01	18	P5ANPF088E01	36
22'x13'x52" (671x396x132) cm	P42213521099	P42213527099	P42213528099	1	P5A4B0005C01	16	P5A5A0001C01	4	P5A1B0015C01	6	P5A1B0006C01	10	P5ANPF089E01	32	P5APF1180E01	16	P5ANPF088E01	32
32'x16'x52" (975x488x132) cm	P43216520099	P43216527099	P43216528099	1	P5A4B0001C01	24	P5A5A0001C01	4	P5A1B0014C01	8	P5A1B0013C01	16	P5ANPF089E01	48	P5APF1180E01	24	P5ANPF088E01	48

	1			2		3		4		5		6		7		8		
Piscine Tubulaire Rectangulaire	Liner de Piscine			Tuyau en U		Pièce de Coin		Tube Court		Tube Long		Capuchon de Tube en U (avec 2 extra)		Goupille ressort en O (avec 1 extra)		Goupille ressort en V (avec 1 extra)		
Dimensions de la piscine	N° de Pièce			Qté	N° de Pièce	Qté	N° de Pièce	Qté	N° de Pièce	Qté	N° de Pièce	Qté	N° de Pièce	Qté	N° de Pièce	Qté	N° de Pièce	Qté
13.1'x6.5'x48" (399x198x122) cm	P41307485099	P41307483099	--	1	P5A4B0002E0K	10	P5A5A0001E0K	4	P5A1B0009E0K	4	P5A1B0011E0K	6	P5ANPF0897CN	20	P5APF11807CN	10	P5ANPF0887CN	20
	--	P41307484099	--	1	P5A4B0002E0N	10	P5A5A0001E0N	4	P5A1B0009E0N	4	P5A1B0011E0N	6	P5ANPF0898UN	20	P5APF11808UN	10	P5ANPF0888UN	20
18'x9'x48" (549x274x122) cm	P41809480Q99	--	--	1	P5A4B0002E0N	12	P5A5A0001E0N	4	P5A1B0003E0N	4	P5A1B0006E0N	8	P5ANPF0898UN	24	P5APF11808UN	12	P5ANPF0888UN	24
18'x9'x52" (549x274x132) cm	--	--	P41809520W99	1	P5A4B0001E0N	12	P5A5A0001E0N	4	P5A1B0003E0N	4	P5A1B0006E0N	8	P5ANPF0898UN	24	P5APF11808UN	12	P5ANPF0888UN	24
	P41809522099	P41809523099	P41809524099	1	P5A4B0001E0N	12	P5A5A0001E0N	4	P5A1B0003E0N	4	P5A1B0006E0N	8	P5ANPF0898UN	24	P5APF11808UN	12	P5ANPF0888UN	24
	P41809525099	P41809526099	P41809529099	1	P5A4B0001E0K	12	P5A5A0001E0K	4	P5A1B0003E0K	4	P5A1B0006E0K	8	P5ANPF0897CN	24	P5APF11807CN	12	P5ANPF0887CN	24
24'x12'x52" (732x366x132) cm	P42412522099	P42412523099	P42412524099	1	P5A4B0001E0N	18	P5A5A0001E0N	4	P5A1B0005E0N	6	P5A1B0007E0N	12	P5ANPF0898UN	36	P5APF11808UN	18	P5ANPF0888UN	36
	P42412525099	P42412526099	P42412529099	1	P5A4B0001E0K	18	P5A5A0001E0K	4	P5A1B0005E0K	6	P5A1B0007E0K	12	P5ANPF0897CN	36	P5APF11807CN	18	P5ANPF0887CN	36
	P42412520N99	--	--	1	P5A4B0001E0N	18	P5A5A0001E0N	4	P5A1B0005E0N	6	P5A1B0007E0N	12	P5ANPF0898UN	36	P5APF11808UN	18	P5ANPF0888UN	36
	P42412520I99	--	--	1	P5A4B0001E0N	18	P5A5A0001E0N	4	P5A1B0005E0N	6	P5A1B0007E0N	12	P5ANPF0898UN	36	P5APF11808UN	18	P5ANPF0888UN	36
	--	--	P42412520Q99	1	P5A4B0001E0N	18	P5A5A0001E0N	4	P5A1B0005E0N	6	P5A1B0007E0N	12	P5ANPF0898UN	36	P5APF11808UN	18	P5ANPF0888UN	36
32'x16'x52" (975x488x132) cm	P43216521099	--	P43216522099	1	P5A4B0001E0K	24	P5A5A0001E0K	4	P5A1B0014E0K	8	P5A1B0013E0K	16	P5ANPF0897CN	48	P5APF11807CN	24	P5ANPF0887CN	48
	--	--	P43216520N99	1	P5A4B0001E0N	24	P5A5A0001E0N	4	P5A1B0014E0N	8	P5A1B0013E0N	16	P5ANPF0898UN	48	P5APF11808UN	24	P5ANPF0888UN	48



VUE ÉCLATÉE

## INSTRUCTIONS D'INSTALLATION

Avant d'assembler votre produit, prenez quelques minutes pour contrôler le contenu de l'emballage et vous familiariser avec toutes les pièces.

**AVERTISSEMENT** - NE REMPLISSEZ PAS excessivement la piscine et/ou n'autorisez personne à s'appuyer ou à s'asseoir sur la paroi de la piscine – CELA PEUT PROVOQUER DES BLESSURES IRRÉVERSIBLES! VIDEZ l'eau de la piscine jusqu'à un niveau approprié.

**CONSEIL:** Il est beaucoup plus facile d'installer votre piscine si vous la dépliez et l'étendez à la lumière directe sur soleil pendant 2 heures avant son installation. Cela favorise une installation sans plis, car cela assouplit le matériau de la piscine, ce qui lui permet de mieux épouser la forme requise pendant l'installation.

**AVERTISSEMENT** - TRÈS IMPORTANT ! LE SITE D'INSTALLATION DOIT ÊTRE UN SOL COMPACTÉ, STABLE ET HORIZONTAL.

- Cette piscine doit être assemblée sur un sol ferme, horizontal, lisse et exempt de pierres, gravier, bâtons, bitume et autre composé d'hydrocarbure.
- Avant l'installation de votre piscine, il est recommandé de débarrasser la zone des herbes vivaces. Certains types d'herbes résistantes, comme le chiendent de boeuf ou pied-de-poule, peuvent pousser à travers la toile. Un tapis de sol ou une bâche peuvent aider à empêcher l'apparition de ce problème. La pousse d'herbes à travers la toile n'est pas un problème couvert par la garantie.
- N'installez pas la piscine sur une plateforme en bois ni aucun type de surface en bois. Vous ne devez pas utiliser de sable et/ou de sol non compacté pour obtenir une surface nivelée/horizontale sur laquelle installer cette piscine, car ce type de surface sera emportée par l'eau.
- NE PAS RESPECTER LES INSTRUCTIONS SUIVANTES PROVOQUERA L'EFFONDREMENT DE LA PISCINE ET ANNULERA LA GARANTIE!

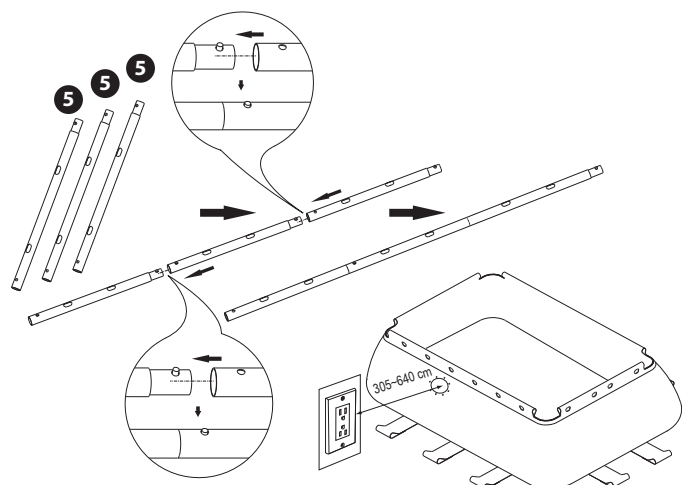
### Préparation du site

1. Sélectionnez une aire horizontale et totalement exempte de débris, branches, pierres, etc. NE SÉLECTIONNEZ PAS un endroit surplombé par des lignes électriques, des arbres ou se trouvant à moins de 4,6 m (15') d'une maison, d'un bâtiment, etc.
2. La piscine doit être placée à une distance minimale de 1,83 m (6') de toute prise électrique.
3. Toutes les prises électriques de 125 V, 15 A et 20 A présentes à moins de 6,0 m (20') de la piscine doivent être protégées par un disjoncteur différentiel de fuite à la terre (GFCI). La distance de 6 m (20') doit être mesurée par la ligne droite la plus courte que suivrait le câble d'alimentation sans percer de sol, de mur, de plafond, de porte, de fenêtre, ni aucun autre obstacle.
4. Contactez les fournisseurs locaux d'électricité, d'eau et de gaz pour vérifier qu'il n'y a pas de câbles sous terrain, de lignes téléphoniques, de conduites de gaz, etc., sous la zone que vous avez sélectionnée.

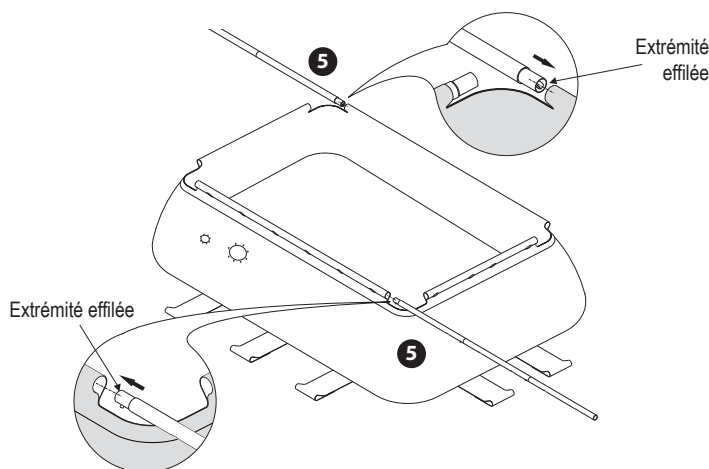
### Instructions d'installation

1. Choisissez une aire plane et horizontale pour installer la piscine. Veillez à ce que le sol soit exempt d'objets coupants, car ils pourraient percer la piscine.
2. Dépliez délicatement la toile de la piscine sur la zone choisie et inspectez les coutures pour vérifier qu'il n'y a pas de défauts de fabrication.
3. Il est conseillé de laisser la piscine dehors en plein soleil pendant environ 2 heures avant l'installation (Voir le conseil figurant plus haut.).
4. SOULEVEZ le liner de la piscine au-dessus du sol. NE FAITES PAS TRAÎNER le liner d'un endroit à l'autre.
5. Positionnez la piscine en sorte que l'ouverture pour la pompe soit éloignée de 3 à 6,4 m (10~21') de la prise électrique.

6. Connecter les tubes longs ⑤.

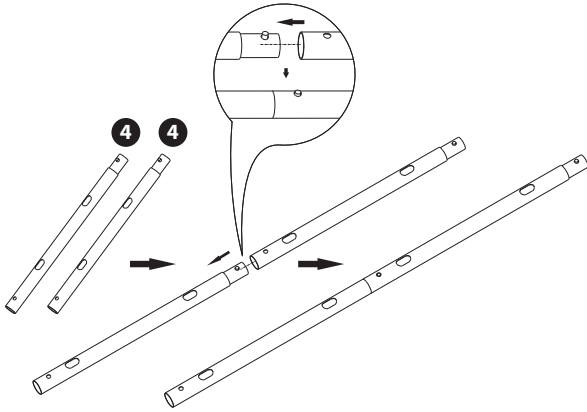


7. Insérez délicatement les tubes longs ⑤ assemblés dans les manchons des côtés longs de la piscine.



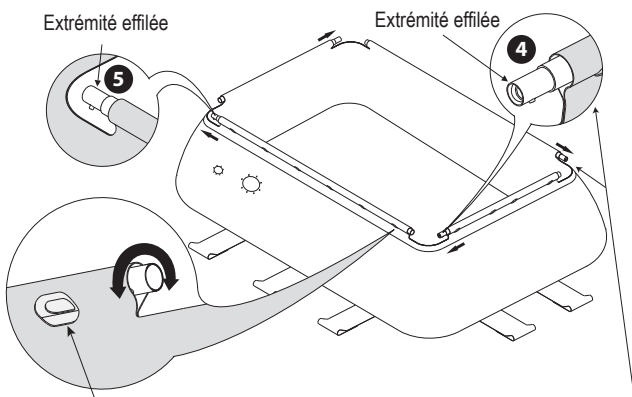
**REMARQUE :** Consultez la liste des pièces à la page 7 et 8 pour connaître le nombre exact de tube long ⑤. Assemblez la moitié des tubes pour former les poutres horizontales des côtés longs de la piscine.

8. Connectez les tubes courts ④.  
Voir NOTE ci-dessous.



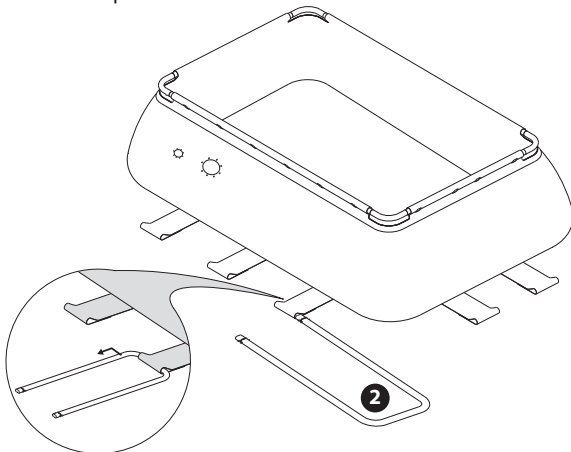
**REMARQUE:** Consultez la liste des pièces à la page 7 et 8 pour connaître le nombre exact de tubes courts ④.  
Assemblez la moitié des tubes pour former les poutres horizontales des côtés courts de la piscine.

10. Tourner les tubes courts et longs pour aligner les trous dans les tubes avec les ouvertures sur les manchons.

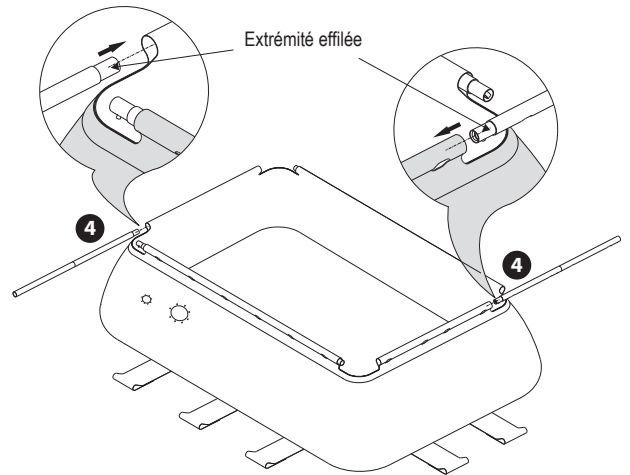


- Alignez les trous des tubes ④ et ⑤ avec les trous des manchons.
- Vérifiez que toutes les extrémités effilées des tubes ④ et ⑤ sont dirigées dans le sens horaire.

12. Insérez l'un des Tuyau en U ② dans l'une des sangles inférieures de la piscine

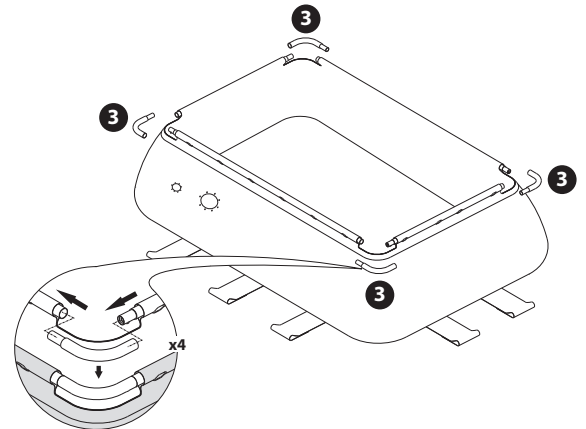


9. Insérez délicatement les tubes courts ④ courts assemblés dans les manchons des côtés courts de la piscine.

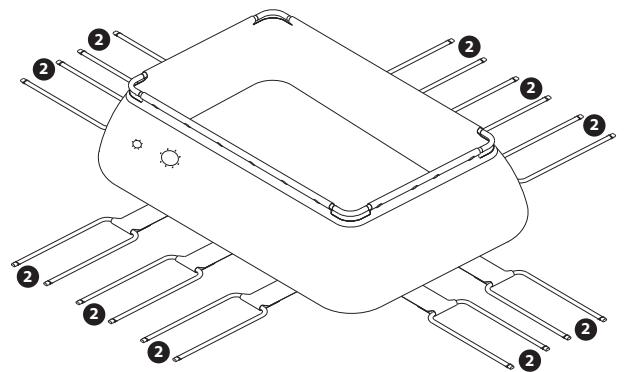


11. Connectez les coins ③ aux tubes, à chacun des 4 coins. Vous devriez avoir un cadre de piscine rectangulaire fermé; qui est le cadre autour de la partie supérieure de la piscine.

**REMARQUE :** Les coins ③ N'ONT PAS de trous pour attraper les goupilles à ressort. C'EST NORMAL. Seuls les tubes longs et courts (④ et ⑤) ont des trous pour attraper les goupilles à ressort.

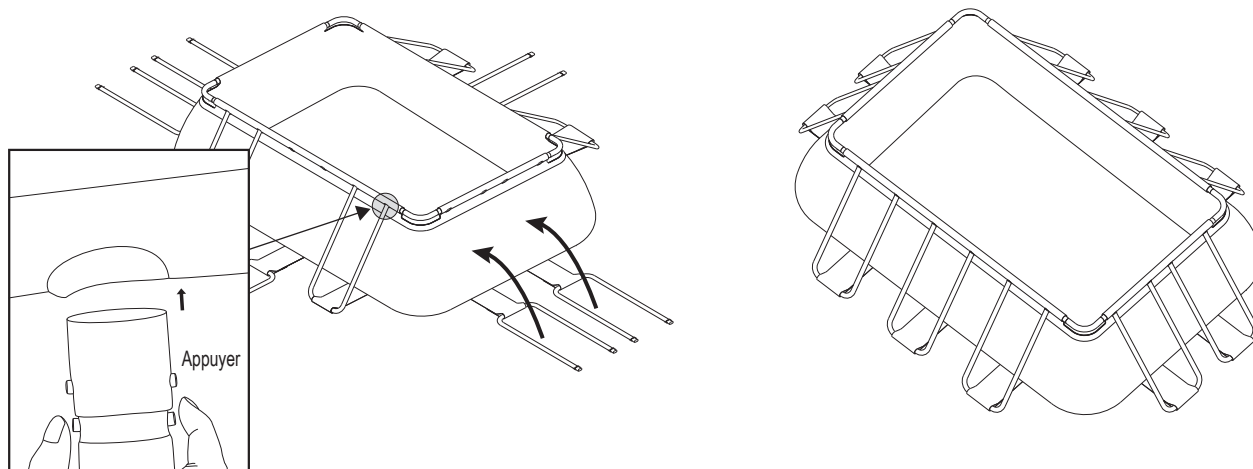


13. Insérez tous les autres Tuyau en U ② comme indiqué ci-dessous.





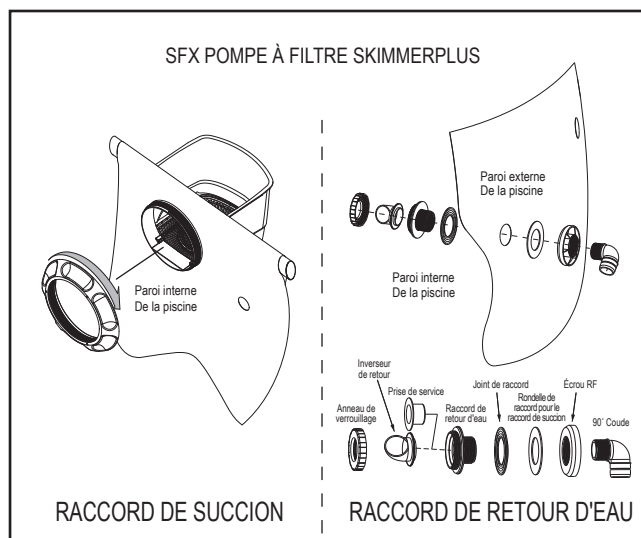
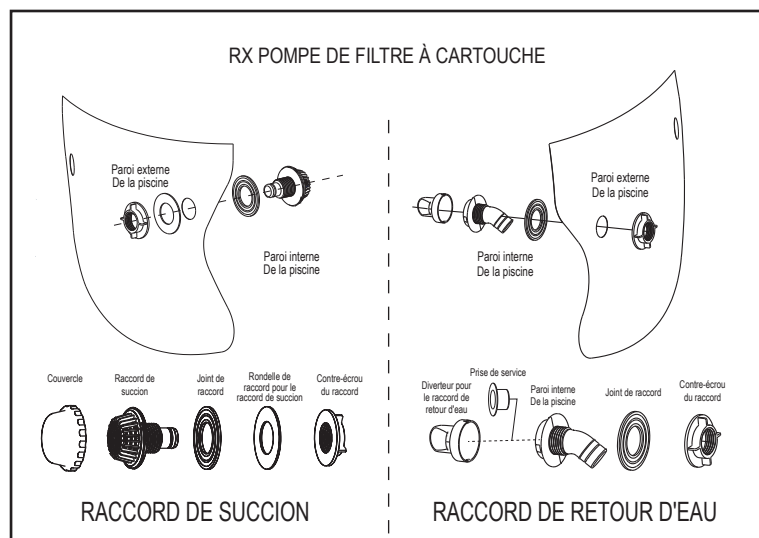
14. Insérez les extrémités des tuyaux en forme de U ② dans le cadre autour de la partie supérieure de la piscine, comme indiqué ci-dessous. La dernière monture et la toile de fond doivent ressembler à l'image ci-dessous. Vous êtes maintenant prêt à ajouter votre système de filtration. N'ajoutez PAS d'eau tant que le système de filtration n'est pas installé.



**IMPORTANT : AVANT D'AJOUTER DE L'EAU À VOTRE PISCINE, VOUS DEVEZ INSTALLER LES RACCORDS MURAUX DE LA PISCINE OU LE SYSTÈME DE FILTRATION EN ENTIER. AVANT D'AJOUTER DE L'EAU À VOTRE PISCINE, SUIVEZ LES INSTRUCTIONS CI-DESSOUS.**

Si votre piscine comporte des orifices ou que vous planifiez d'acheter une pompe de filtrage, identifier les endroits où se trouveront les raccords de succion et de retour de sorte qu'ils soient de 3 à 6,4 m des prises électriques que vous utiliserez pour la pompe de la piscine.

Si votre piscine est accompagnée de raccords, installez les tubes de succion et de retour d'eau sur la paroi de la piscine avant de la remplir d'eau.



**REMARQUE :** Pour la Pompe À Filtre Au Sable / CP2000-C Pompe À Filtre Au Cartouche, appliquez les instructions du guide du propriétaire de la Pompe À Filtre Au Sable / CP2000-C Pompe À Filtre Au Cartouche. Veuillez consulter le manuel d'instruction de la pompe à eau pour plus d'informations.

Veuillez noter : le joint de caoutchouc noir (Joint de raccord) doit toujours être placé par-dessus le raccord de succion ou de retour d'eau en plastique fileté et doit se trouver à l'intérieur avant que le raccord ne soit inséré dans la paroi de la piscine pour que le joint soit étanche.

Assurez-vous de mettre le bouchon d'eau et la prise de service pendant que vous remplissez votre piscine ou jusqu'à ce que vous soyez prêt(e) à ajouter un système de filtration.

## IMPORTANT : POUR LES PISCINES AVEC UN SYSTÈME DE FILTRATION COMPLET.

- SI VOTRE PISCINE COMPREND UN SYSTÈME DE FILTRATION COMPLET, NOUS VOUS RECOMMANDONS D'INSTALLER LE SYSTÈME DE FILTRATION ENTIÈREMENT AVANT DE METTRE DE L'EAU DANS VOTRE PISCINE POUR ÉVITER LA PERTE D'EAU.
- SUIVEZ LES « INSTRUCTIONS DE CONFIGURATION » DANS LE MANUEL DU PROPRIÉTAIRE DU SYSTÈME DE POMPE À FILTRE POUR INSTALLER LE SYSTÈME DE FILTRE ÉLECTRIQUE, LE(S) RACCORDEMENT(S) MURAL(-AUX) DE LA PISCINE ET TOUS LES TUYAUX AVANT DE METTRE DE L'EAU DANS VOTRE PISCINE.

15. Assurez-vous que le raccord de drain de la toile de fond est bien branché et que le capuchon est en place. Ensuite, commencez à remplir la piscine avec de l'eau jusqu'à ce que le fond soit rempli d'environ 2,5 cm d'eau.

APRÈS AU MOINS 2,5 CM D'EAU, CESSER DE REMPLIR ET APLANISSEZ TOUS LES PLIS DU FOND DE LA PISCINE, DU CENTRE VERS L'EXTÉRIEUR DE LA PISCINE. ASSUREZ-VOUS QUE LE PLANCHER DE LA PISCINE EST COMPLÈTEMENT PLAT POUR QUE LA PISCINE SE REMPLISSE PLEINEMENT.

IMPORTANT : SI PLUS DE 2,5 À 5 CM D'EAU SE RECUEILLE SUR UN DES CÔTÉS AVANT QUE LA PISCINE NE SOIT REMPLIE AU CENTRE, LA PISCINE N'EST PAS SUFFISAMMENT AU NIVEAU ET DOIT ÊTRE RECTIFIÉE. VOIR "PRÉPARATION DU SITE" (P. 9).

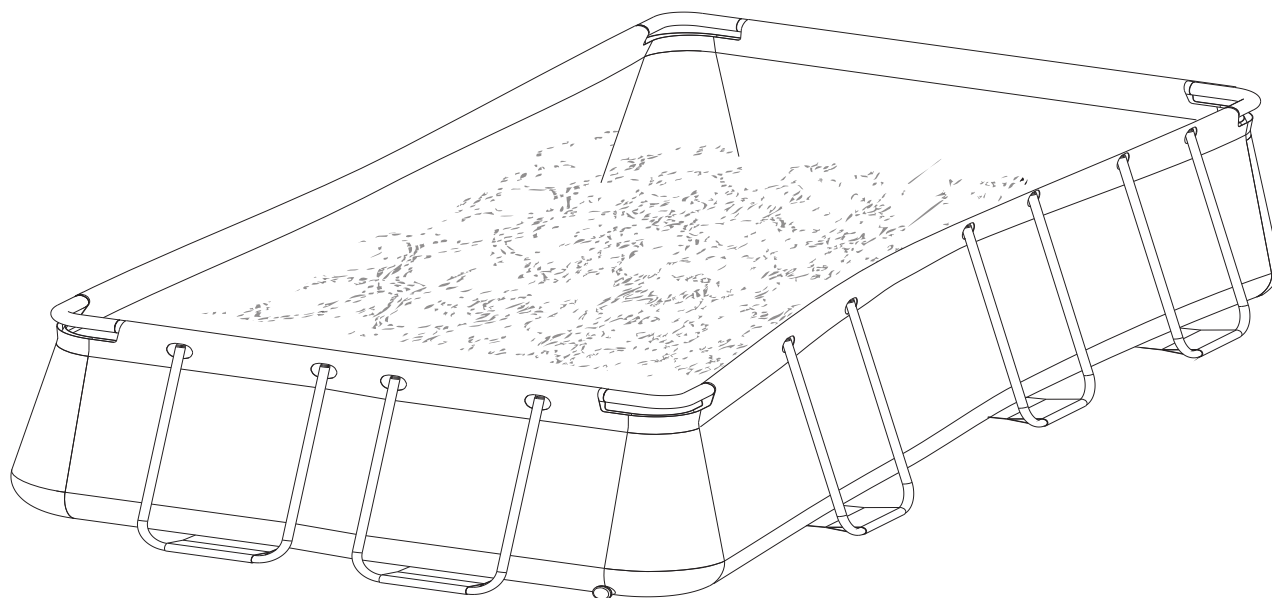
REMARQUE SUPPLÉMENTAIRE : À CE STADE, LE POIDS DE L'EAU EMPÊCHERA LES AJUSTEMENTS.

NE PAS SUIVRE LES ÉTAPES CI-DESSUS EMPÊCHE DE REMPLIR LA PISCINE DE FAÇON ÉGALE ET LA PISCINE PEUT PENCHER D'UN CÔTÉ PUIS S'EFFONDRE. VOTRE PISCINE DEVRAIT ÊTRE REMPLIE DE FAÇON ÉGALE. SI VOTRE PISCINE PENCHE D'UN CÔTÉ; LE TERRAIN PEUT NE PAS ÊTRE AU NIVEAU ET VOUS POURRIEZ DEVOIR RECOMMENCER.

- LA PISCINE S'EFFONDRE ET ANNULERA VOTRE GARANTIE SI UNE DE CES INSTRUCTIONS N'EST PAS RESPECTÉE!

16. Lorsque la piscine est approximativement à moitié remplie d'eau, le cadre supérieur aura tendance à se baisser au milieu, tel qu'indiqué ci-dessous. C'EST TOUT À FAIT NORMAL.

Continuez à remplir d'eau jusqu'à la ligne de remplissage imprimée à l'intérieur de la paroi de la toile de fond; le cadre reprendra sa forme normale.



## ENTRETIEN ET VIDANGE DE LA PISCINE

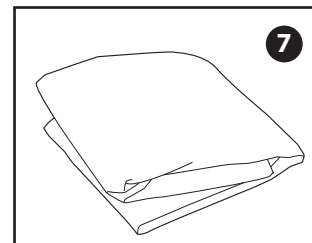
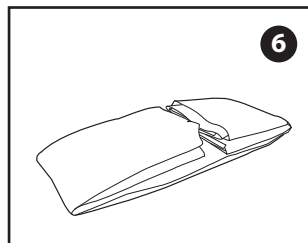
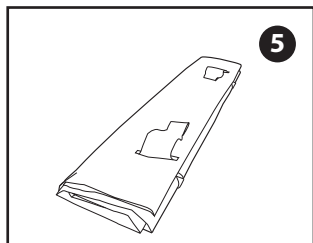
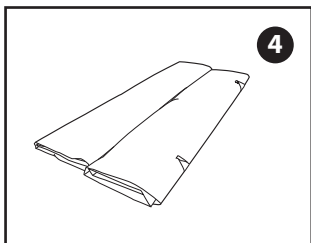
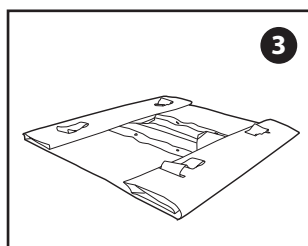
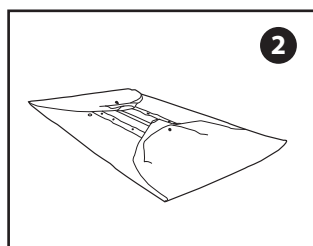
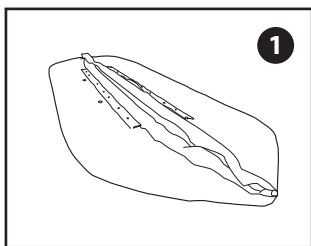
**ATTENTION** : RESPECTEZ TOUJOURS LES INSTRUCTIONS DES FABRICANTS DES PRODUITS DE TRAITEMENT ET LES MISES EN GARDE SANITAIRES ET DE SÉCURITÉ.

Ne rajoutez pas de produits chimiques s'il y a des baigneurs dans la piscine. Cela pourrait entraîner des irritations cutanées et oculaires. Les produits concentrés de chlore peuvent endommager la toile de la piscine. En aucun cas, Polygroup®, nos acheteurs/revendeurs ou une autre partie ne sont responsables des coûts associés à des pertes d'eau de piscine, de produits de traitement ou de dommages dus à l'eau. Ayez toujours des cartouches de filtre supplémentaires. Remplacez les cartouches toutes les deux semaines. Nous vous recommandons d'utiliser la pompe de filtre Polygroup® avec toutes nos piscines hors terre. Pour vous procurer une pompe de filtre ou tout autre accessoire Polygroup®, visitez notre site [Web support.polygroupstore.com](http://Web.support.polygroupstore.com) ou communiquez avec le Service aux consommateurs de Polygroup®.

**PLUIE EXCESSIVE** : Pour éviter d'endommager la piscine et de trop la remplir, videz immédiatement l'eau de pluie qui élèvera le niveau d'eau au-dessus de la LIGNE DE REMPLISSAGE.

### Vidange de la Piscine et Stockage de Long Terme

1. Prenez connaissance des réglementations locales concernant l'évacuation de l'eau des piscines.
2. Vérifiez que le bouchon de vidange à l'intérieur de la piscine est fermé.
3. Dévissez le capuchon de la vanne de vidange sur la paroi externe de la piscine.
4. Raccordez un tuyau d'arrosage de 1,58 cm (5/8") sur la vanne de vidange.
5. Placez l'autre extrémité du tuyau d'arrosage dans une zone où l'eau peut être évacuée sans danger à l'écart de la maison et des autres structures proches.
6. Retirez le bouchon intérieur de la valve de vidange pour commencer à vider la piscine.
7. Lorsque l'eau cesse de s'écouler, commencez à soulever la piscine du côté opposé à la valve de vidange pour vider l'eau restante et vider complètement la piscine.
8. Refermez le couvercle de vidange sur l'extérieur de la piscine.
9. Retirez toutes les pièces de liaison.
10. Veillez à ce que la piscine et toutes les pièces soient complètement sèches avant de les ranger. Séchez le liner à l'air libre au soleil jusqu'à ce qu'il soit complètement sec avant de le plier (Image 1). Saupoudrez un peu de talc pour empêcher le vinyle de coller et pour absorber l'humidité résiduelle.
11. Formez un carré avec le liner. Commencez par un côté, repliez un sixième du liner sur lui-même deux fois. Effectuez la même procédure sur le côté opposé (Images 2 et 3).
12. Après avoir plié les deux côtés opposés, repliez-les simplement l'un sur l'autre comme si vous fermiez un livre (Images 4 et 5).
13. Repliez les deux extrémités longues vers le centre (Image 6).
14. Repliez-les l'une sur l'autre comme si vous fermiez un livre, puis compactez le liner (Image 7).
15. Rangez le liner et les accessoires dans un endroit de stockage sec où la température est régulée entre 0°C et 40°C (32°F~104°F).
16. L'emballage d'origine peut être utilisé pour le stockage.



## HIVERNAGE ET STOCKAGE DE LA PISCINE

Cette piscine hors sol ne peut pas être mise en hivernage. Elle doit être drainée, désassemblée et correctement entreposée si vous vivez dans une région où la température tombe sous les 0°C (32°F). Si vous vivez sous un climat plus chaud, veuillez suivre les instructions détaillées ci-dessous. Après utilisation, vous pouvez facilement vider et ranger votre piscine dans un endroit sûr (voir la section sur l'entreposage à long terme plus haut). Certains propriétaires de piscine vivant dans des régions plus chaudes peuvent cependant choisir de garder leur piscine installée toute l'année. Dans les régions froides, s'il y a des températures inférieures à 0°C, il existe un risque que le gel détériore votre piscine. Laisser votre piscine installée dans une zone où la température tombe sous les 0°C (32°F) entraîne l'annulation de la garantie.

### Hivernage de Votre Piscine Hors-sol

1. Nettoyez complètement l'eau de la piscine.
2. Retirez le skimmer (si applicable) et tous les accessoires fixés sur le raccord de la crépine filetée. Remplacez la grille de crépine si nécessaire. Vérifiez que tous les accessoires sont propres et complètement secs avant de les ranger.
3. Branchez les raccords d'entrée et de sortie depuis l'intérieur de la piscine.
4. Retirez l'échelle (si applicable) et rangez-la dans un endroit sûr. Vérifiez que l'échelle est complètement sèche avant de la ranger.
5. Retirez les tuyaux de raccordement de la pompe et du filtre à la piscine.
6. Ajoutez les produits de traitement appropriés à l'hiver. Consultez le distributeur de piscine local pour savoir quels produits de traitement utiliser et comment les utiliser. Cela peut fortement varier selon la région.
7. Recouvrez la piscine avec une Couverture de Piscine Polygroup®. REMARQUE IMPORTANTE : LA COUVERTURE DE PISCINE Polygroup® N'EST PAS UNE COUVERTURE DE SÉCURITÉ.
8. Nettoyez et videz la pompe, le boîtier du filtre et les tuyaux. Retirez et jetez la cartouche filtrante usagée. Conservez une cartouche de rechange pour la saison suivante.
9. Rentez la pompe et les éléments de filtre à l'intérieur et rangez-les dans un endroit sûr et sec, de préférence entre 0°C (32°F) et 40°C (104°F).

## SIGNALISATION DE SÉCURITÉ DE LA PISCINE

AFFICHEZ CES MISES EN GARDE PRÈS DE VOTRE PISCINE



# AVERTISSEMENT

## NE PAS PLONGER OU SAUTER DANS L'EAU PEU PROFONDE

**PLONGER PEUT PROVOQUER DES BLESSURES  
IRRÉVERSIBLES OU LA MORT**



- Soyez prudent.
- Les enfants doivent être accompagnés par un adulte.
- Ne nagez pas après avoir consommé de l'alcool ou des médicaments.
- Familiarisez-vous avec la piscine avant de nager.
- Ne pas courir, ne pas sauter et ne pas chahuter dans ou autour de la piscine.
- Il ne doit pas y avoir de verre dans la zone de la piscine.



**POUR ÉVITER LES BLESSURES GRAVES, TOUS LES UTILISATEURS DE LA PISCINE DOIVENT  
CONNAÎTRE ET RESPECTER CES RÈGLES DE SÉCURITÉ.**

## COUVERTURE DE SÉCURITÉ DE PISCINE

SI VOUS COMPTEZ UTILISER UNE COUVERTURE DE PISCINE, UNE TOILE SOLAIRE OU UNE COUVERTURE SOLAIRE, VEUILLEZ LIRE LES RENSEIGNEMENTS SUIVANTS.

AVERTISSEMENT RELATIF À LA COUVERTURE DE PISCINE  
AVERTISSEMENT RELATIF À LA COUVERTURE SOLAIRE  
AVERTISSEMENT RELATIF À LA COUVERTURE SOLAIRE

### AVERTISSEMENT

#### PRÉVENTION DES RISQUES DE NOYADE

NE VOUS APPUYEZ PAS SUR LE COUVERCLE ET LA COUVERTURE - ILS NE SUPPORTERONT PAS LE POIDS. TENEZ LES ENFANTS ÉLOIGNÉS DE LA COUVERTURE. LES ENFANTS OU LES OBJETS NE PEUVENT PAS ÊTRE PERÇUS SOUS LE COUVERCLE ET LA COUVERTURE.

ÉLIMINEZ L'EAU STAGNANTE - LES ENFANTS PEUVENT SE NOYER SUR LE DESSUS DE LA COUVERTURE. ENLEVEZ ENTIEREMENT LE COUVERCLE ET LA COUVERTURE AVANT L'ENTRÉE DES NAGEURS - RISQUE D'ENCHEVÊTREMENT POSSIBLE.

LES COUVERTURES QUI SONT MAL FIXÉES OU QUI NE LE SONT PAS DU TOUT PRÉSENTENT UN DANGER. LE NON-RESPECT DE CES CONSIGNES PEUT ENTRAÎNER DES BLESSURES OU LA NOYADE.

CECI N'EST PAS UNE COUVERTURE DE SÛRETÉ.

INSTALLEZ LE COUVERCLE ET LA COUVERTURE AVEC LES ÉTIQUETTES ORIENTÉES VERS LE HAUT.

UTILISEZ LES CORDONS DE SERRAGE POUR BIEN FIXER LA COUVERTURE À LA PISCINE. CETTE COUVERTURE SATISFAIT LES EXIGENCES DÉCRITES DANS LA NORME F-1346 (ASTM).

### TRÈS IMPORTANT

N'UTILISEZ PAS UNE COUVERTURE DE PISCINE, UNE TOILE SOLAIRE OU UNE COUVERTURE SOLAIRE AVEC CETTE PISCINE SI ELLE NE PORTE PAS UNE ÉTIQUETTE D'AVERTISSEMENT DE CE TYPE.

### DANGER :

Une supervision compétente et la connaissance des exigences de sécurité sont les seuls moyens de prévention des noyades ou des blessures permanentes lors de l'utilisation de cet article.  
Ne laissez jamais les jeunes enfants sans surveillance.

