

SUMMER WAVES® POOL MAINTENANCE KIT

READ AND KEEP THESE INSTRUCTIONS FOR FUTURE REFERENCE

For answers to common questions, setup videos and troubleshooting tips, please visit support.polygroupstore.com or call Customer Service: +1 (888) 919-0070

DO NOT RETURN PRODUCT TO STORE



To order parts and accessories, please visit www.polygroupstore.com



Should you encounter a problem with your Polygroup® Product, please DO NOT return the product to the place of purchase. All warranty claims must be made directly to Polygroup®. For any setup and troubleshooting issues, please visit support.polygroupstore.com. Customer Service: +1 (888) 919-0070. You may be asked to return all or part of the product for inspection and/or repair. Do not return any product to Polygroup® without a Return Merchandise Authorization number.

IMPORTANT SAFETY INSTRUCTIONS

When installing and using this product, basic safety precautions should always be followed, including the following:

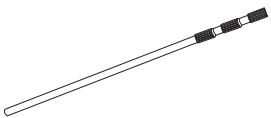
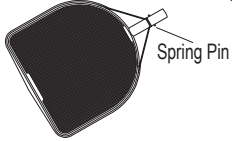
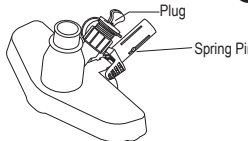


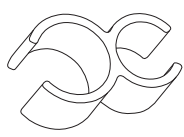
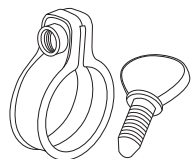
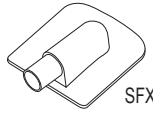
READ AND FOLLOW ALL INSTRUCTIONS

Keep for future reference. Failure to follow these warnings and instructions can result in serious injury or death to users, especially children.

WARNING

1. Read and follow all safety information and instructions. Keep for future reference. Failure to follow these warnings and instructions can result in serious injury or death to users, especially children.
2. Keep children in your direct sight, stay close, and actively supervise them when they are in or near this pool and when you are filling and emptying this pool.
3. Keep all breakable objects out of the pool area.

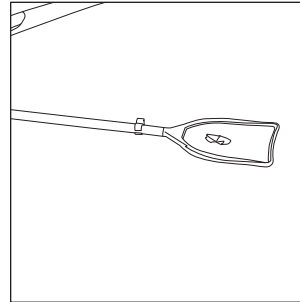
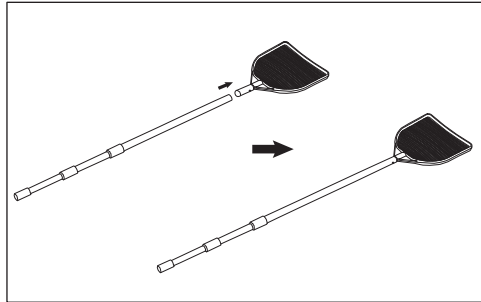
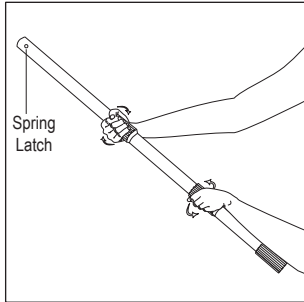
PARTS LIST

<p>1</p>  <p>Telescopic Pole-1 Piece</p>	<p>2</p>  <p>Leaf Net-1 Piece</p>	<p>3</p>  <p>Vacuum Head-1 Piece</p>	<p>4</p>  <p>Hose-1 Piece</p>
<p>5</p>  <p>Vacuum Bag-1 Piece</p>	<p>6</p>  <p>Hose Clip-1 Piece</p>	<p>7</p>  <p>Hose Clamp-2 Pieces</p>	<p>8</p>  <p>Vacuum Adapter - 1 of Each Piece</p>

OPERATION INSTRUCTIONS

To Use the Leaf Net

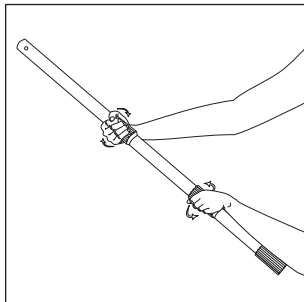
1. Extend the telescopic pole to the desired length.
2. Attach the leaf net to the open end of the telescopic pole.
3. Scoop out leaves and other debris from the pool.



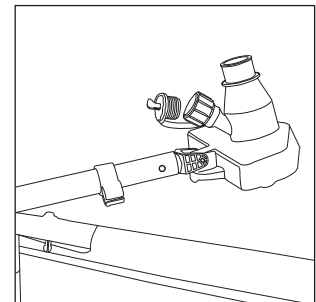
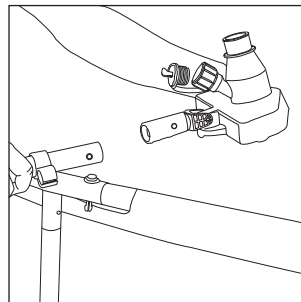
To Vacuum with Polygroup® Summer Waves Skimmer Pump (SFX) Models

IMPORTANT: The following steps on Pages 2 -3 only apply to pool with Summer Waves Skimmer Pump installed. For pool with other Polygroup® Filter Pump System installed (e.g. Model: CP2000-C, RP, RX and Sand Filtration System) or without any filter system, please follow the instructions on Page 4 "To Vacuum with a 5/8" Garden Hose" of this manual.

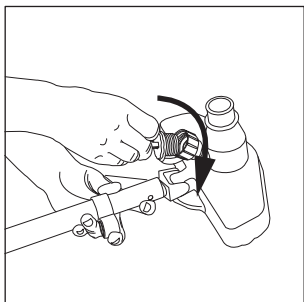
1. Extend the telescopic pole to its fullest length.



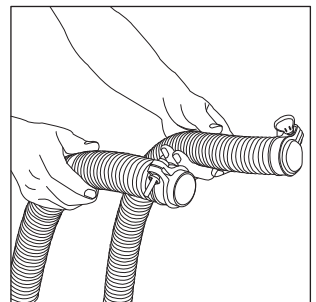
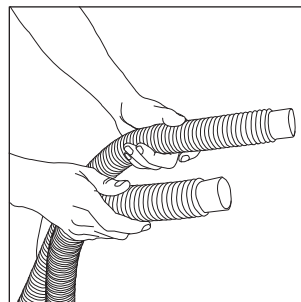
2. Attach the vacuum head to the open end of the telescopic pole.



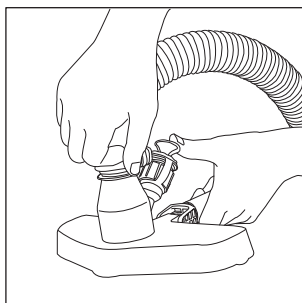
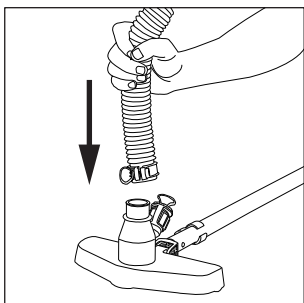
3. Turn on the Skimmer Pump, water will start to flow to the pool through the return fitting. Keep the pump running throughout the vacuuming process.
4. Hand tighten the water hose cap of the vacuum head.



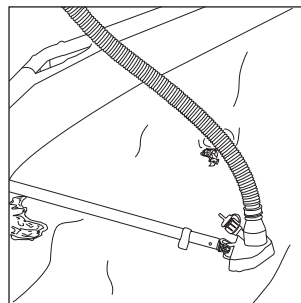
5. Loosely attach the hose clamps over the cuffs on the open ends of the flexible hose.



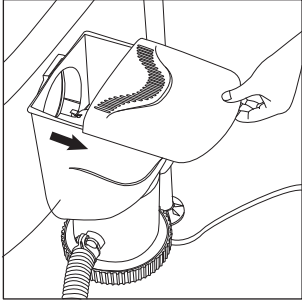
6. Attach the 1/4" flexible hose to the vacuum head and tighten the hose clamp.



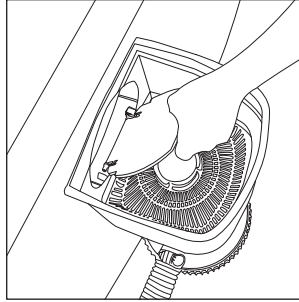
7. Put the vacuum head under water.



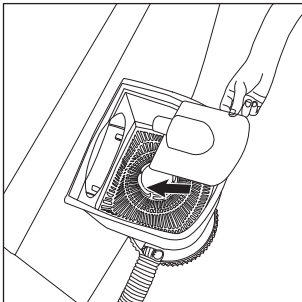
8. Remove the canister top cover of the SFX Series Skimmer pump.



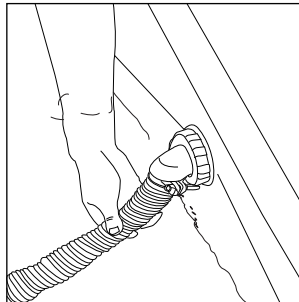
9. For Summer Waves SFX Skimmer Pump, remove the weir from the canister.



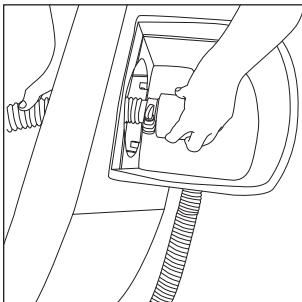
10. Put the vacuum adapter over the strainer and press downward. A vacuum will be generated that will keep the vacuum adapter in place.



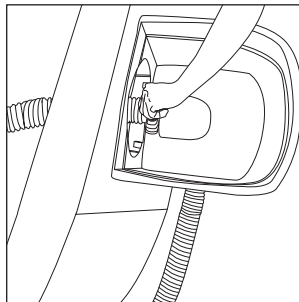
11. Place the open end of the flexible hose up to the return fitting and start to fill the hose with water. Keep filling the hose until there is no more air inside the hose.



12. Keeping the hose end underwater, slowly slip the end of the hose through the skimmer opening and attach the end of the hose to the vacuum adapter's hose connection.



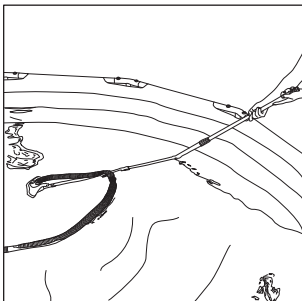
13. Hand tighten the hose clamp.



14. A vacuum is now generated from the vacuum head all the way to the filter cartridge.

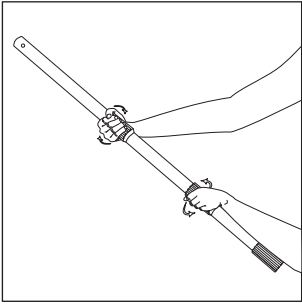
15. Slowly push the vacuum head across the pool to remove debris. Check the water flow at the return fitting while vacuuming.

16. When the water flow from the return fitting is noticeably reduced, the filter cartridge is likely to be partially clogged. Turn off the pump, remove the filter cartridge and gently brush/rinse under running water. Replace with a new cartridge if necessary. Repeat the process until the pool is thoroughly cleaned.

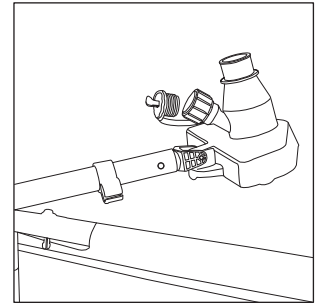
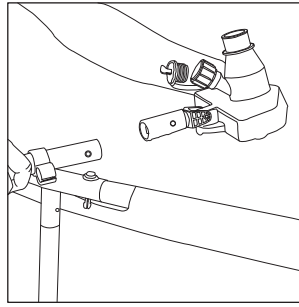


To Vacuum with a 5/8" Garden Hose (not included)

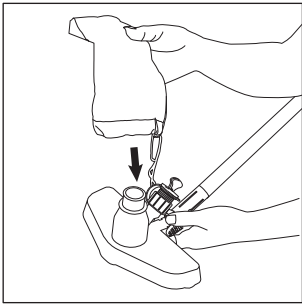
1. Extend the telescopic pole to its fullest length.



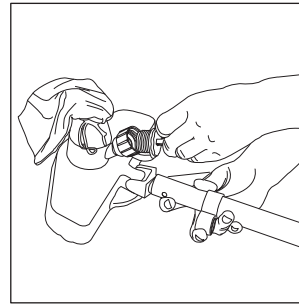
2. Attach the vacuum head to the open end of the telescopic pole.



3. Attach the vacuum bag to the vacuum head, tighten the drawing string and tie a simple shoelace knot.

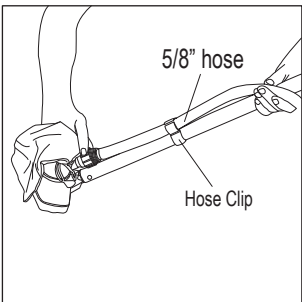


4. Twist off the water hose cap.

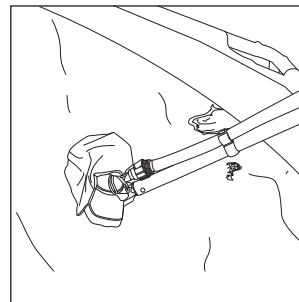


5. Hand tighten a 5/8" garden hose to the vacuum head.

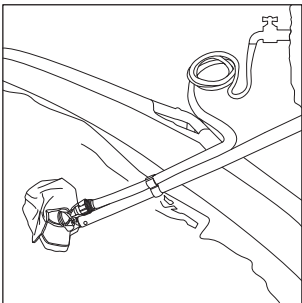
6. Secure the hose into the hose clip.



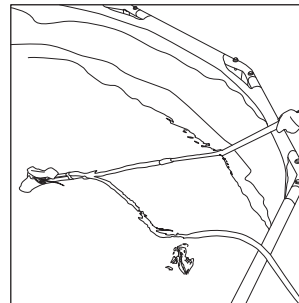
7. Place the vacuum under water.



8. Turn on the water supply, it will create a venturi action at the vacuum head to collect debris into the vacuum bag.



9. Slowly push the vacuum head across the pool floor to remove the debris.



10. When done or the bag is full:

A) Slowly move the vacuum head to the side wall of the pool, turn the vacuum head up-side-down, shut off the water and remove the vacuum head from the pool.

B) Remove the vacuum bag and discard all the debris, flip the bag in-side-out and rinse with running water.

11. Repeat the vacuuming process until the pool is thoroughly cleaned.