

# SURFACE SKIMMER

## FOR ABOVE GROUND SWIMMING POOLS

**READ AND KEEP THESE INSTRUCTIONS FOR FUTURE REFERENCE**

For answers to common questions, setup videos and troubleshooting tips, please visit our support center at: [support.polygroupstore.com](http://support.polygroupstore.com), or call Customer Service at: +1 (888) 919-0070

**DO NOT RETURN PRODUCT TO STORE**



To order parts, accessories, and to learn more about our products, please visit: [www.larkoutdoors.com](http://www.larkoutdoors.com)



Thank you for your Lark Outdoors purchase! Should you encounter any problems, please DO NOT return the product to your place of purchase. For assistance with product setup, parts or troubleshooting, please visit [support.polygroupstore.com](http://support.polygroupstore.com), or call our customer service team at +1 (888) 919-0070. All warranty claims and parts requests must be made directly to our service & support partner, Polygroup. Depending on the nature of the concern, you may be asked to return all or part of the product for inspection or repair. Making it right is our top priority!

## IMPORTANT SAFETY INSTRUCTIONS

When installing and using this product, basic safety precautions should always be followed.

## READ AND FOLLOW ALL INFORMATION AND INSTRUCTIONS











Keep for future reference. Failure to follow these warnings and instructions can result in serious injury or death to users, especially children.

### WARNING

#### Safety Care for Children

- Children, especially children younger than five years, are at high risk of drowning. Drowning occurs silently and quickly and can occur in as little as 2 in (5 cm) of water.
- Keep children in your direct sight, stay close, and actively supervise them when they are in or near this pool and when you are filling and emptying this pool.
- When searching for a missing child, check the pool first, even if the child is thought to be in the house.
- Locate pumps and filters in such a way that children cannot climb on them and gain access to the pool.
- WARNING:** To reduce the risk of injury, do not permit children to use this product unless they are closely supervised at all times.
- WARNING:** To reduce the risk of injury, do not permit children to use this product unless they are closely supervised at all times by an adult who is capable of assisting a child in distress.
- SAVE THESE INSTRUCTIONS.

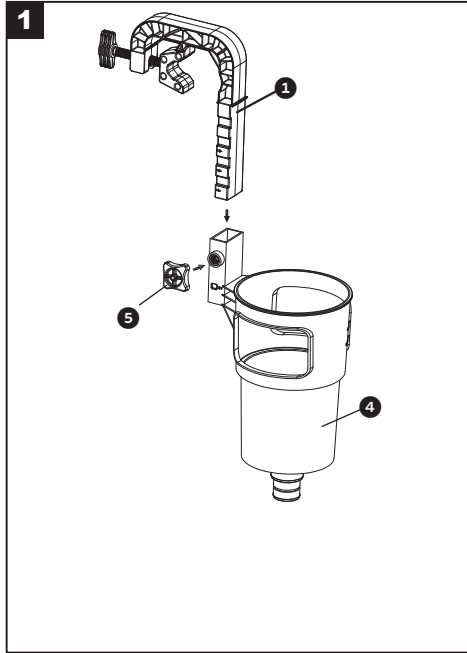
## PARTS LIST

Key										
Description	Frame Pool Holding Frame	Ring Pool Holding Frame (Front)	Ring Pool Holding Frame (Rear)	Skimmer Canister	Lock Nut	Skimmer Basket	Adapter		Hose	Hose Clamp
Qty.	1	1	1	1	2	1	1		1	2
Part #	P5810227AE09	P58102301W05	P58102302E09	P5810223AW05	P5810228AW05	P5810224AP0	P58102461W01	P5810233AP01	P58150036W01	P58219221W05

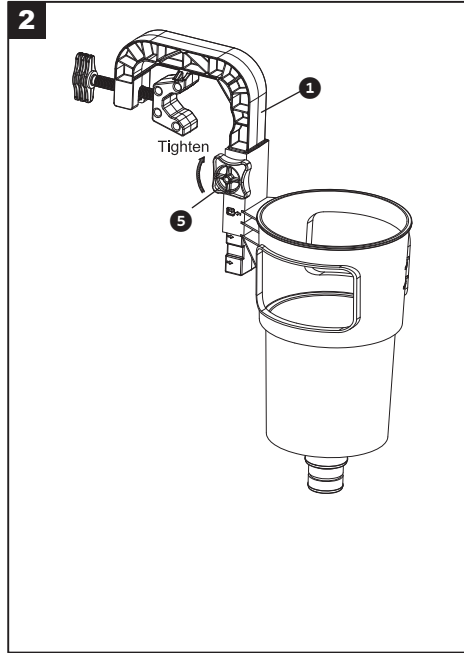
# SETUP INSTRUCTIONS

Before assembling your product, please take a few minutes to check the contents and become familiar with all the parts.

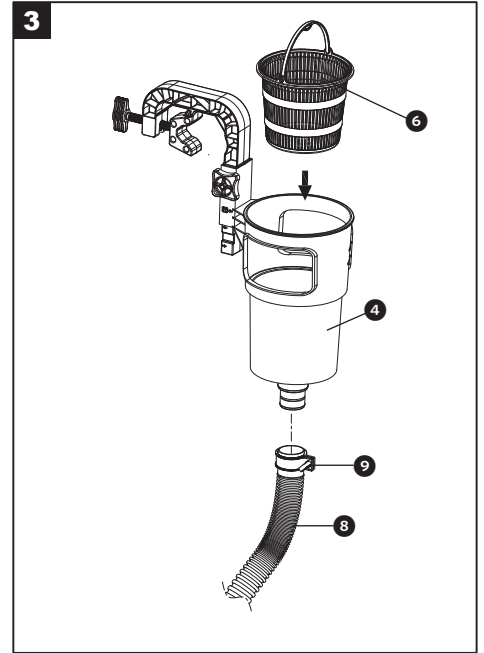
## A. Frame Pool Surface Skimmer



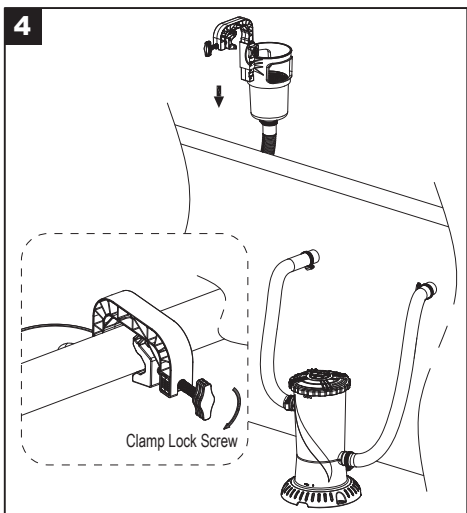
Insert the Frame Pool Holding Frame **1** into the Skimmer Canister **4**. Put the Lock Nut **5** onto the screw hole of the Skimmer Canister **4**.



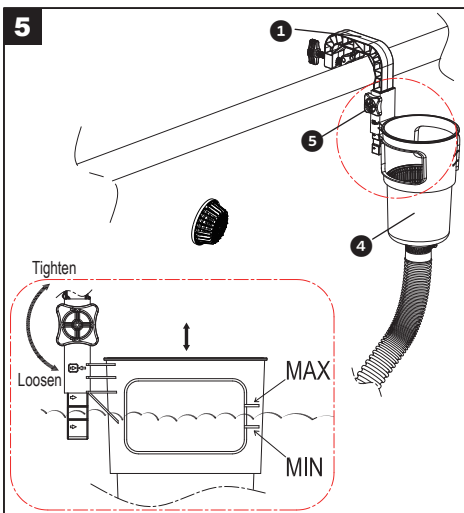
Turn the Lock Nut **5** in clockwise to tighten the Frame Pool Holding Frame **1** by hand.



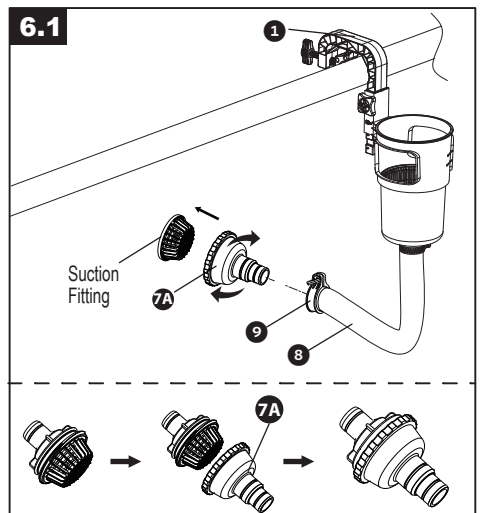
Insert the Skimmer Basket **6** into the Skimmer Canister **4**. Connect the hose into the hose connector on the bottom of the Skimmer Canister **4** and fasten the hose by hose clamp **9**.



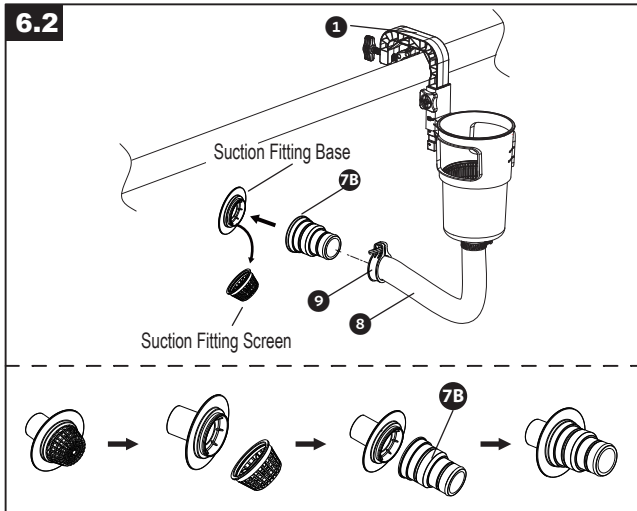
Hang the Frame Pool Surface Skimmer onto the top pole of the frame pool and then turn the Clamp Lock Screw in clockwise to tighten the Skimmer by hand.



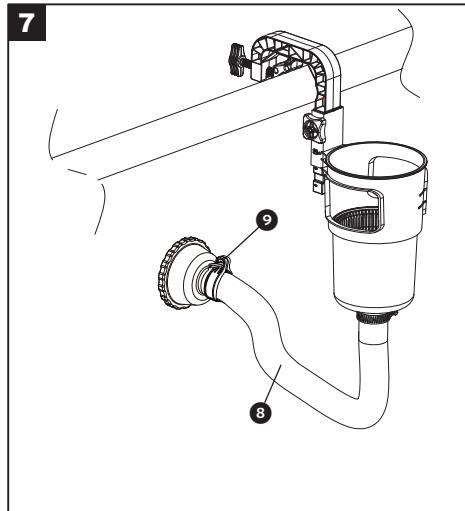
Loosen the Lock Nut **5** in anti-clockwise by hand and adjust the position of the Skimmer Canister **1** on the Frame Pool Holding Frame **1**. The position of the Skimmer Canister **1** should be set as the pool water surface between the water level marking on the Skimmer Canister **1**. Tighten the Lock Nut **5** in clockwise to hold the Skimmer Canister **4** in your setting position.



If the Suction Fitting of your pool is the same type as illustrated in **6.1**, attach the Adapter **7A** to the Suction Fitting and screw tightly.

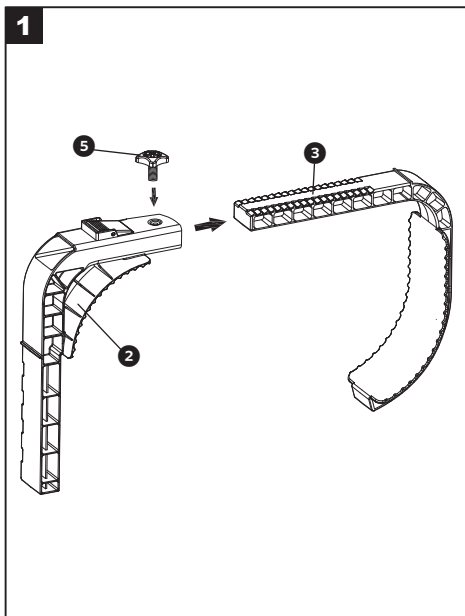


If the Suction Fitting of your pool is the same type as illustrated in **6.2**, remove the Suction Fitting Screen from the Suction Fitting Base first. Attach the Adapter **7B** to the Suction Fitting Base and fix tightly.

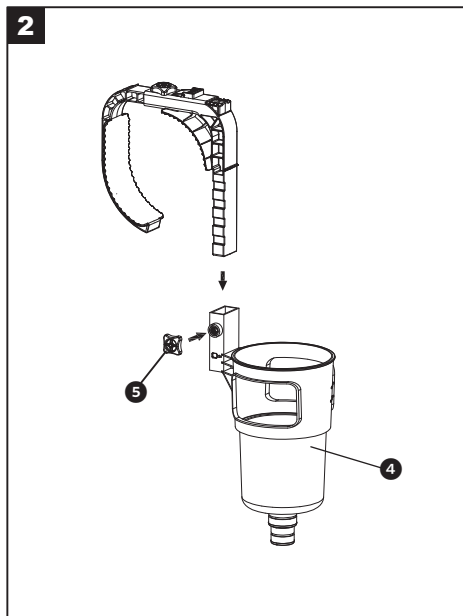


Then, connect the Hose **8** to the adapter, and tighten the Hose Clamp **9**.

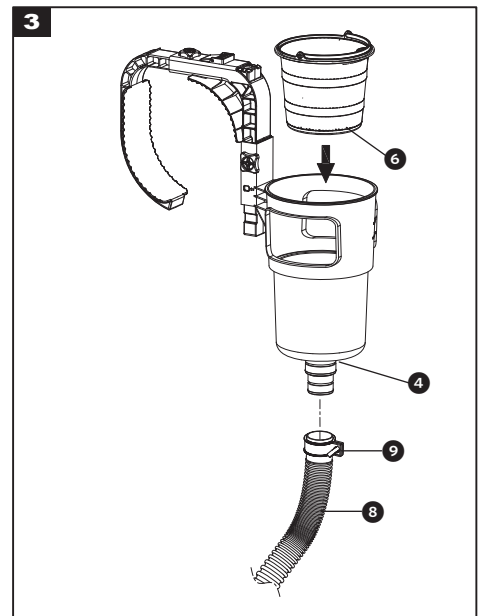
## B. Ring Pool Surface Skimmer



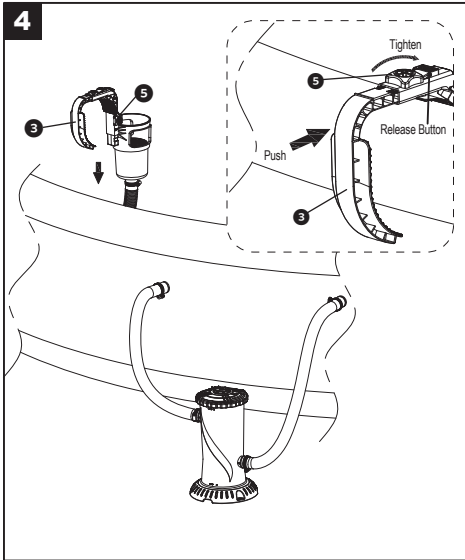
Insert the Ring Pool Holding Frame (Front) **2** into the Ring Pool Holding Frame (Rear) **3** and then put the Lock Nut **5** onto the screw hole of the Ring Pool Holding Frame (Rear) **3**. Tighten the Lock Nut **5** in clockwise to fix them by hand.



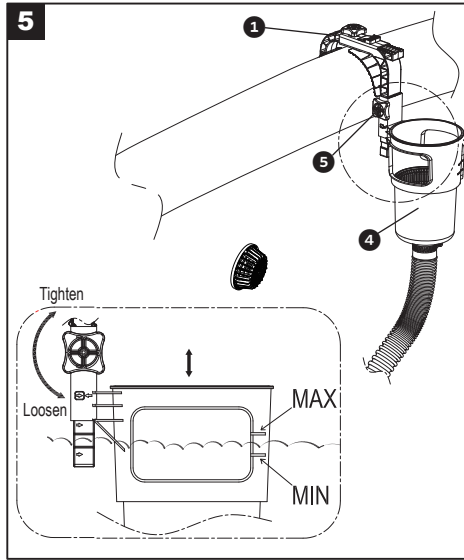
Insert the Ring Pool Holding Frame into the Skimmer Canister **4** and then put the Lock Nut **5** onto the screw hole of the Skimmer Canister **4**. Tighten the Lock Nut **5** in clockwise to fix them by hand.



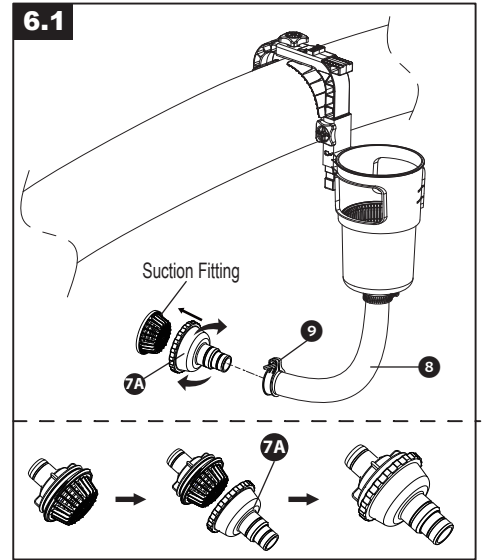
Insert the Skimmer Basket **6** into the Skimmer Canister **4**. Connect the hose into the hose connector on the bottom of the Skimmer Canister **4** and fasten the hose by hose clamp.



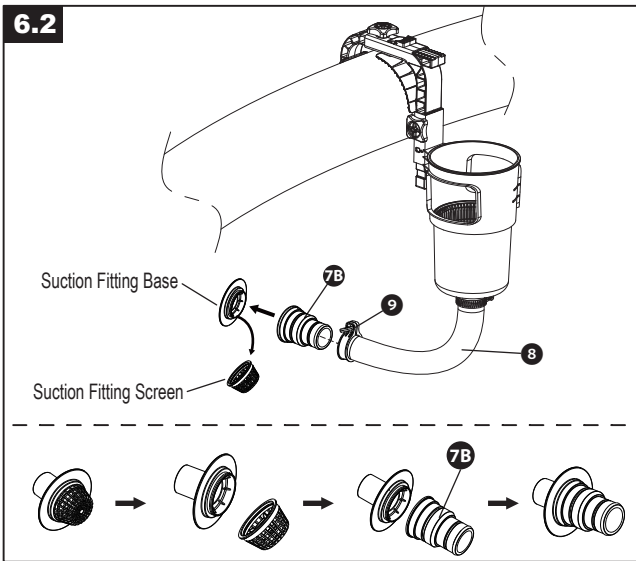
Hang the Ring Pool Surface Skimmer onto the top inflatable ring of the ring pool and then loosen the Lock Nut 5 in anti-clockwise by hand. Push the Ring Pool Surface Holding Frame to fix the Ring Pool Surface Skimmer on the ring pool. (Push the Release Button to loosen the Ring Pool Holding Frame Rear 3).



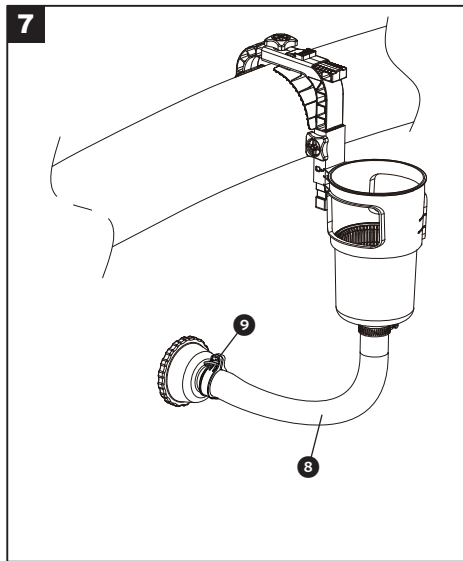
Loosen the Lock Nut 5 in anti-clockwise by hand and adjust the position of the Skimmer Canister 1 on the Ring Pool Holding Frame. The position of the Skimmer Canister 1 should be set as the pool water surface between the water level marking on the Skimmer Canister 1. Tighten the Lock Nut 5 in clockwise to hold the Skimmer Canister 4 in your setting position.



If the Suction Fitting of your pool is the same type as illustrated in 6.1, attach the Adapter 7A to the Suction Fitting and screw tightly.



If the Suction Fitting of your pool is the same type as illustrated in 6.2, remove the Suction Fitting Screen from the Suction Fitting Base first. Attach the Adapter 7B to the Suction Fitting Base and fix tightly.



Then, connect the Hose 8 to the adapter, and tighten the Hose Clamp 9.