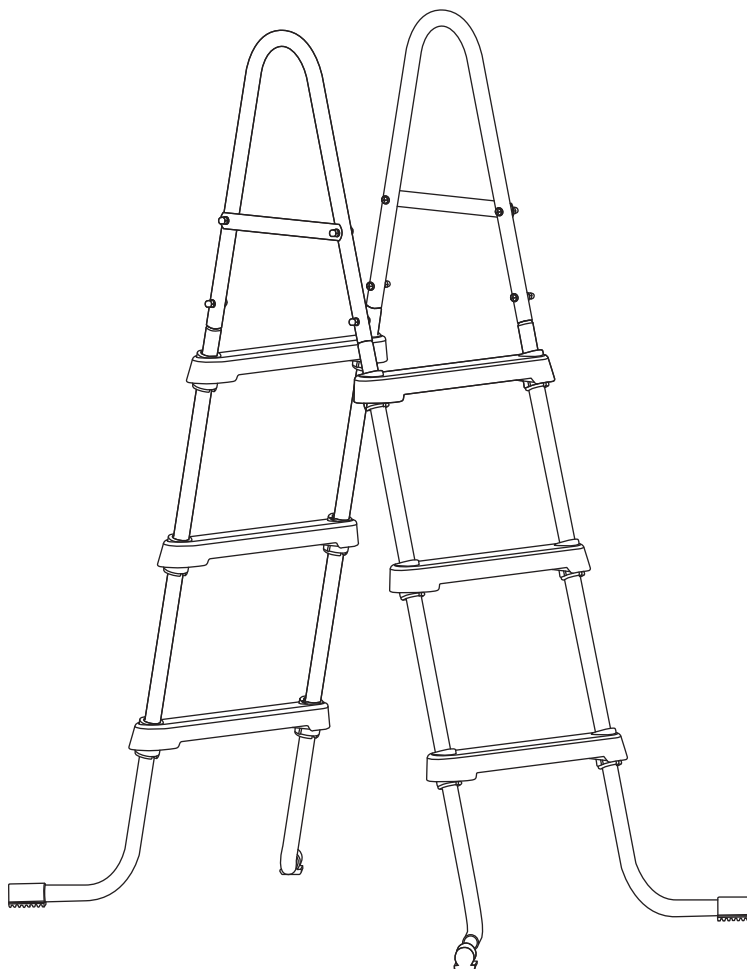


SUMMER WAVES® POOL LADDER

FOR ABOVE GROUND SWIMMING POOLS

36" / 42" / 48" / 52" Models



READ AND KEEP THESE INSTRUCTIONS FOR FUTURE REFERENCE

For answers to common questions, setup videos and troubleshooting tips, please visit support.polygroupstore.com or call Customer Service: +1 (888) 919-0070

DO NOT RETURN PRODUCT TO STORE



To order parts and accessories, please visit www.polygroupstore.com



Should you encounter a problem with your Polygroup® Product, please **DO NOT** return the product to the place of purchase. All warranty claims must be made directly to Polygroup®. For any setup and troubleshooting issues, please visit support.polygroupstore.com. Customer Service: +1 (888) 919-0070. You may be asked to return all or part of the product for inspection and/or repair. Do not return any product to Polygroup® without a Return Merchandise Authorization number.

TABLE OF CONTENTS

Warnings	3 ~ 5
Maintenance	5
Parts List	5 ~ 7
Setup Instructions	8 ~ 14

Limited Warranty

Polygroup® Trading Limited (hereinafter “Polygroup®”) makes products at the best quality we are able to offer. All Polygroup® products have been inspected against defects in materials and workmanship prior to leaving factory. Polygroup® is happy to offer warranty for the repair or replacement of pool products for 90 days from the date of purchase. The provisions of this Limited Warranty only apply to the original purchaser. Please keep your original store sales receipt, as this proof of purchase will be required and must accompany warranty claims to Polygroup® or its designated agents. This Limited Warranty does not apply without proof of purchase; or should the purchaser modify or repair the product themselves or by unauthorized people; use non-Polygroup® parts or accessories with the product; use the product in contravention of the manufacturer’s instructions; use improper voltage; abuse the product in any way; or through accident or negligence. This Limited Warranty will not cover consequential damages, including claims for loss of water, pool chemicals, damage, or labor, normal wear-and-tear; nor acts of God outside the control of Polygroup®. Non-manufacturing defects, such as grasses that may grow through the ground cloth and/or pool liner are examples of which Polygroup® cannot be held responsible for.

IN NO EVENT SHALL Polygroup®, ITS AUTHORIZED AGENTS, RELATED ENTITIES, OR EMPLOYEES BE LIABLE TO THE BUYER OR ANY OTHER PARTY FOR DIRECT OR CONSEQUENTIAL DAMAGES. Some states or countries, or other jurisdictions, do not allow the exclusion or limitation of incidental or consequential damages, so the above limitation or exclusion may not apply to you.

This Limited Warranty is not extended to close-outs, factory seconds, or resold products (i.e. garage sales, online auctions, or online retailers not purchased directly from Polygroup®). Any issues with items purchased from these types of vendors / sellers will need to be addressed through these stores. Items purchased from seasonal stores will be treated with an “All Sales Final” Policy instead.

IMPORTANT SAFETY INSTRUCTIONS

When installing and using this product, basic safety precautions should always be followed, including the following:

READ AND FOLLOW ALL INSTRUCTIONS

Keep for future reference. Failure to follow these warnings and instructions can result in serious injury or death to users, especially children.

WARNING



DANGER

PREVENT DROWNING!

WATCH CHILDREN CLOSELY WHO ARE IN OR NEAR THIS POOL. CHILDREN UNDER 5 ARE AT HIGHEST RISK FOR DROWNING.

NO DIVING!

SHALLOW WATER - YOU CAN BE PERMANENTLY INJURED.

WARNING

DO NOT SIT ON OR LAY OVER POOL WALL
YOU CAN BE PERMANENTLY INJURED.

AVOID ENTRAPMENT!
STAY AWAY FROM DRAINS & SUCTION FITTINGS. YOU MAY DROWN.

Very Important

- **LADDER WEIGHT LIMIT IS 150KG.**
- LOOSE HARDWARE WILL RESULT IN LADDER FAILURE.
- The ladder will fail if the Machine Screw **G**, Washer **H**, Lock Washer **L**, and Cap Nut **M** holding the handrails to the ladder legs are not properly installed.

Safety Care for Children

1. Children, especially those younger than 5 years old, are at high risk of drowning. Drowning occurs silently and quickly and can occur in as little as 2 in (5 cm) of water.
2. Keep children in direct sight. Stay close and actively supervise them when they are in or near this pool and when you are filling and emptying this pool.

Swimming Pool Awareness

1. Assembled by adults only; this pool may contain potentially hazardous sharp objects that are parts of the pool.
2. If a drain or suction outlet cover is missing or broken, do not use the pool. Suction can cause body part entrapment, hair and jewelry entanglement, or drowning. Repair or replace the drain or suction outlet cover before using the pool again.
3. When using the pool at night, artificial lighting should be used to illuminate all safety signs, ladders, steps, deck surfaces and pathways.
4. Keep your pool clean and clear. The floor of the pool should be visible at all time from the outside of the pool.
5. Call for emergency when needed.
6. Basic lifesaving equipment, including one of the following should be on hand at all times:
 - A light, strong, rigid pole (shepherd's crook) not less than twelve feet (12') [366 cm] long.
 - A minimum one-fourth inch (1/4") [6.35 mm] diameter rope as long as one and one half (1 1/2) times the maximum width of the pool or fifty feet (50') [15.24 m], whichever is less, which has been firmly attached to a Coast Guard-approved ring buoy having an outside diameter of approximately fifteen inches (15") [38.1 cm], or similarly approved flotation device.
7. Never allow horseplay, diving or jumping into or around the pool. Serious injury, paralysis or death could result when this rule is disregarded. **DO NOT ALLOW** anyone to swim alone without supervision.

Ladder

1. The ladder should be located on a solid base and is to be installed per the manufacturer's instructions.
2. One person on the ladder at a time.
3. This ladder is designed and manufactured for a specific pool wall height and/or deck of the pool.
4. For entry/exit of pool, face the ladder at all times.
5. To prevent entrapment or drowning do not swim through, behind, or around ladder.
6. Remove and secure ladder when pool is not occupied.

Drowning Risk

1. Keep unsupervised children from accessing the pool by installing fencing or other approved barrier around all sides of pool. State or local laws or codes may require fencing or other approved barriers. Check state or local laws and codes before setting up pool.
2. Remove pool ladders before leaving the pool.

3. Toys, chairs, tables or similar objects that a young child could climb should be at least four feet (4') [121.92 cm] from the pool. The pump filter system should be positioned so as to prevent it from being used as a means of access to the pool by young children. Do not leave toys inside pool when finished using, since toys and similar items might attract a child to the pool.
4. Position furniture (for example, tables, chairs) away from pool and so that children cannot climb on it to gain access to the pool.

Diving Risk

1. Above-ground/on-ground residential swimming pools are for swimming and wading only. No diving boards, slides or other equipment are to be added to an above-ground /on-ground pool.
2. Do not dive into this pool. Diving into shallow water can result in a broken neck, paralysis, or death.

Special Warning

1. Local building codes may require obtaining a building or electrical permit. Installer shall follow regulations on setback, barriers, devices and other conditions.
2. Safety signs shall comply with requirements of ANSI-Z535 and to use signal wording.
3. DO NOT attempt to assemble this pool in adverse weather conditions, windy conditions or when the temperature is below 60°F.

Extra Safety Warning

1. Adult supervision is always required.
2. Do not install on a deck or other surface at, above, or slightly below the top rail of the pool.
3. Do not allow roughhousing and horseplay.
4. Install a pool ladder(s) or staircase for entry and exit from the pool.
5. Instruct pool users about the proper use of all pool ladder(s) and staircases.
6. Face ladder going up or down.
7. Check all nuts and bolts regularly to ensure that the ladder stays sturdy.
8. Please contact pool site dealer or manufacturer for additional safety signs if deemed necessary.
9. For pool service, select a certified pool professional. For additional safety information, see www.APSP.org

Consumer Awareness Booklets and Information Source

Contact: U.S. Consumer Product Safety Commission at www.cpsc.gov/safety-education/safety-guides/pools-and-spas, Pub. #362 "Safety Barrier Guidelines for Home Pools."

1. The Sensible Way to Enjoy Your Above-ground/On-ground Swimming Pool.
2. Children Aren't Waterproof.
3. Layers of Protection.
4. Pool and Spa Emergency Procedures for Infants and Children.
5. Be Safety Aware Copies of the above brochures are available free from the APSP. Go to: www.APSP.org

Safety Education Programs and Materials

Educational programs and materials (i.e., seminars, workshops, brochures, videos, instructional guides) are available from the APSP, other aquatic safety groups, and by private firms. As a means of communicating useful safety information to pool owners/operators, and users, industry members are permitted to provide such information to owners/operators and to request or require owners/operators to sign a statement that they have received, read, and will follow the guidelines.

Other sources of safety information:

- www.cdc.gov
- www.cpsc.gov
- www.drowningpreventionalliance.com
- www.nspf.org
- www.safekids.org

UL Underwriters Laboratories

333 Pfingsten Road, Northbrook IL 60062-2096
Contact: 847-272-8800
www.ul.com

NSF NSF International

P.O. Box 130140
789 N. Dixboro Road
Ann Arbor MI 48105
Contact: 800-673-6275 or 734-769-8010
www.nsf.org

ANSI American National Standards Institute

25 West 43rd Street, New York NY 10036
Contact: 212-642-4900
www.ansi.org

APSP Association of Pool & Spa Professionals

(formerly National Spa and Pool Institute)
2111 Eisenhower Avenue, Ste. 500
Alexandria VA 22314-4679
Contact: 703-838-0083
www.apsp.org

ASTM ASTM International (formerly American Society of Testing & Materials)

100 Barr Harbor Drive, P.O. Box C700 West Conshohocken, PA 19428-2959
Contact: 877-909-2786 (USA & CANADA) or 610-832-9585 (International)
610-832-9555 (fax)
www.astm.org

ASME American Society of Mechanical Engineers

Two Park Avenue, New York NY 10016-5990
Contact: 800-843-2763 (U.S. & CANADA) or 973-882-1170 (International)
www.asme.org
NSPI National Spa and Pool Institute (see APSP)

NEC National Electrical Code (see NFPA)

NFPA National Fire Protection Association
1 Batterymarch Park, Quincy MA 02169-7471
Contact: 800 344-3555 (U.S. & Canada) or 617 770-3000 (International)
www.nfpa.org

Risk of Drowning, Entrapment, and Diving Accidents

Publications are available that describe the risk of drowning, entrapment, and diving accidents. Available publications related to pool safety include the Association of Pool and Spa Professionals' (APSP) booklets entitled: The Sensible Way to Enjoy Your Above-ground/On-ground Swimming Pool, Children Aren't Waterproof, Pool and Spa Emergency Procedures for Infants and Children, Layers of Protection, and the latest published edition of ANSI/APSP-8 Model Barrier Code for Residential Swimming Pools, Spas, and Hot Tubs.

Installer Responsibilities

All of these components shall be positioned so as to prevent their being used as a means of access to the pool by young children.

(See the barrier Code for Residential Swimming Pools, Spas, and Hot Tubs.)



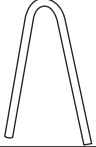


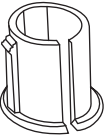

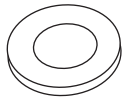
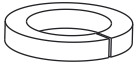
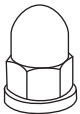

MAINTENANCE

1. Mud may cause slipping. Keep the ladder treads free of mud.
2. Retighten the ladder hardware regularly. **LOOSE HARDWARE WILL CAUSE LADDER FAILURE.**





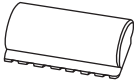
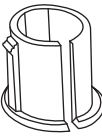

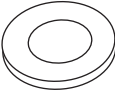



PARTS LIST

- THIS LADDER IS DESIGNED AND MANUFACTURED FOR THE SPECIFIC POOL WALL HEIGHT.
- REMOVE AND SECURE THE LADDER WHEN POOL IS NOT OCCUPIED!
- **CHECK THE COLOR CODES INDICATED ON THE LADDER WARNING BRACKETS N FOR REPLACEMENT PARTS ORDERING.**

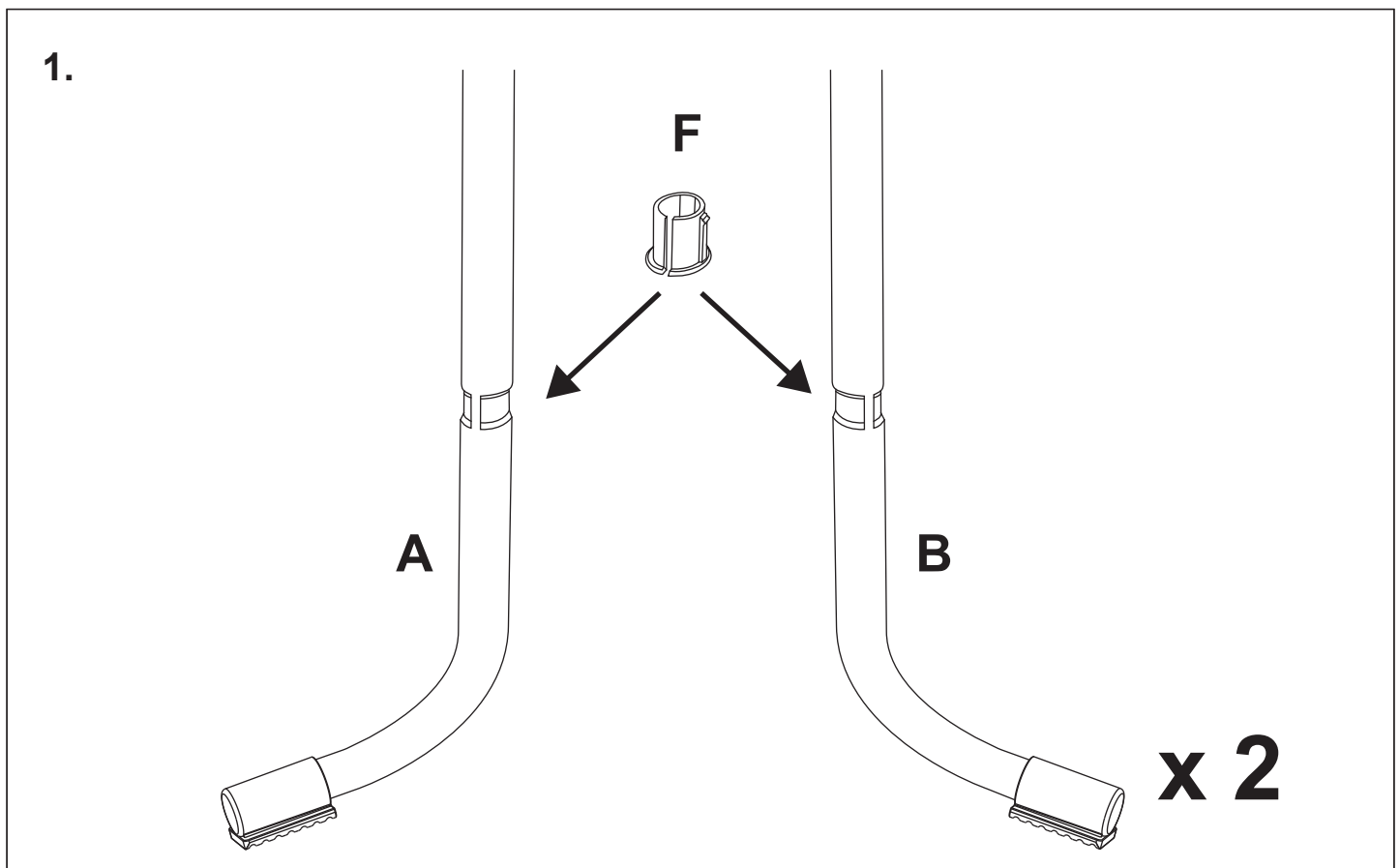
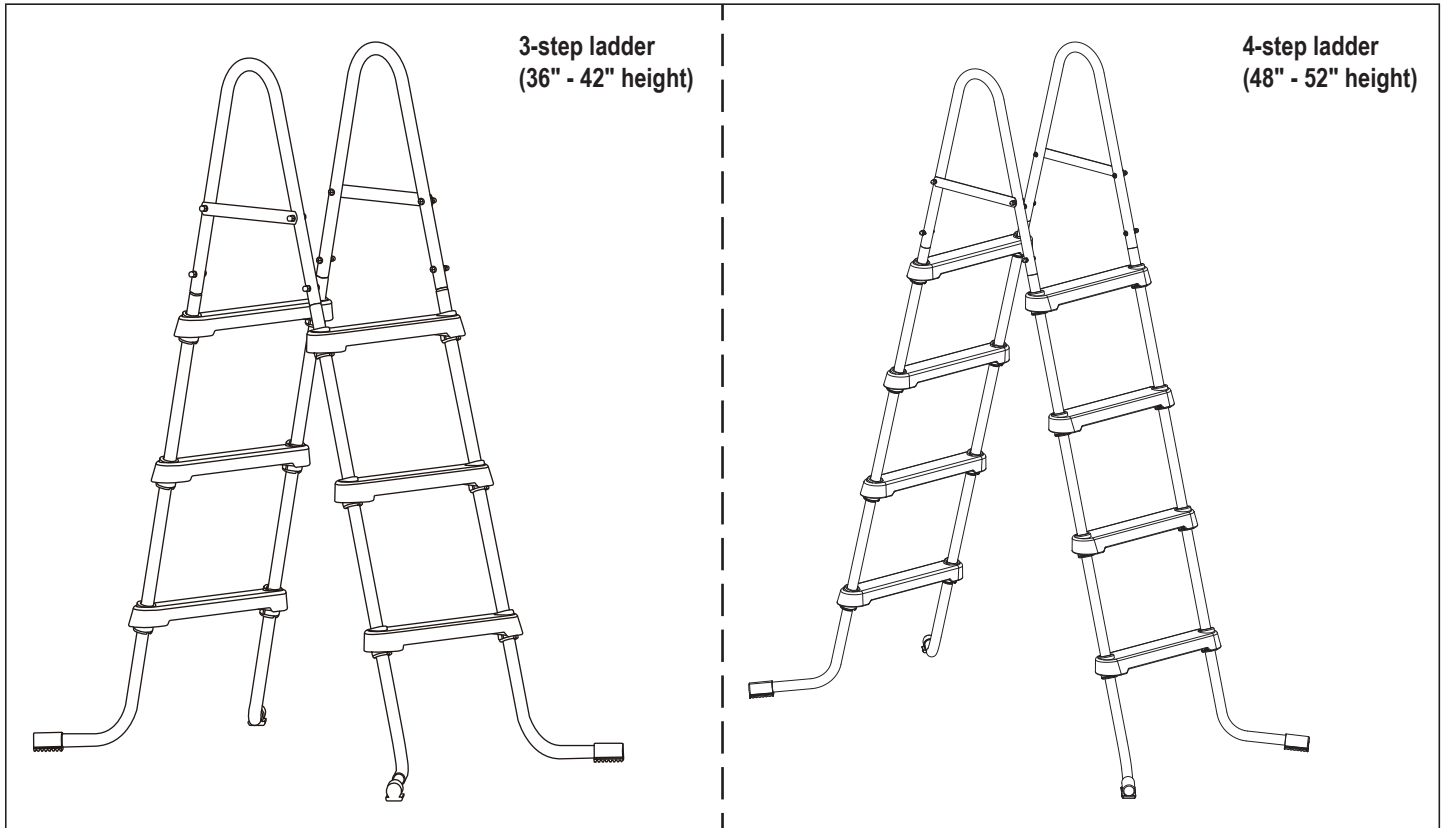
Part Quantity

Key	Description	36" (91 cm)	42" (107 cm)	48" (122 cm)	52" (132 cm)
A 	Ladder Leg (R)	2	2	2	2
B 	Ladder Leg (L)	2	2	2	2
C 	Ladder Handrail	2	2	2	2
D 	Ladder Tread	6	6	8	8
E 	Ladder End Cap	4	4	4	4
F 	Ladder Tread Clip	12	12	16	16
G 	Machine Screw	8	8	8	8
H 	Washer	4	4	4	4
L 	Lock Washer	8	8	8	8
M 	Cap Nut	8	8	8	8
N 	Ladder Warning Bracket	2	2	2	2

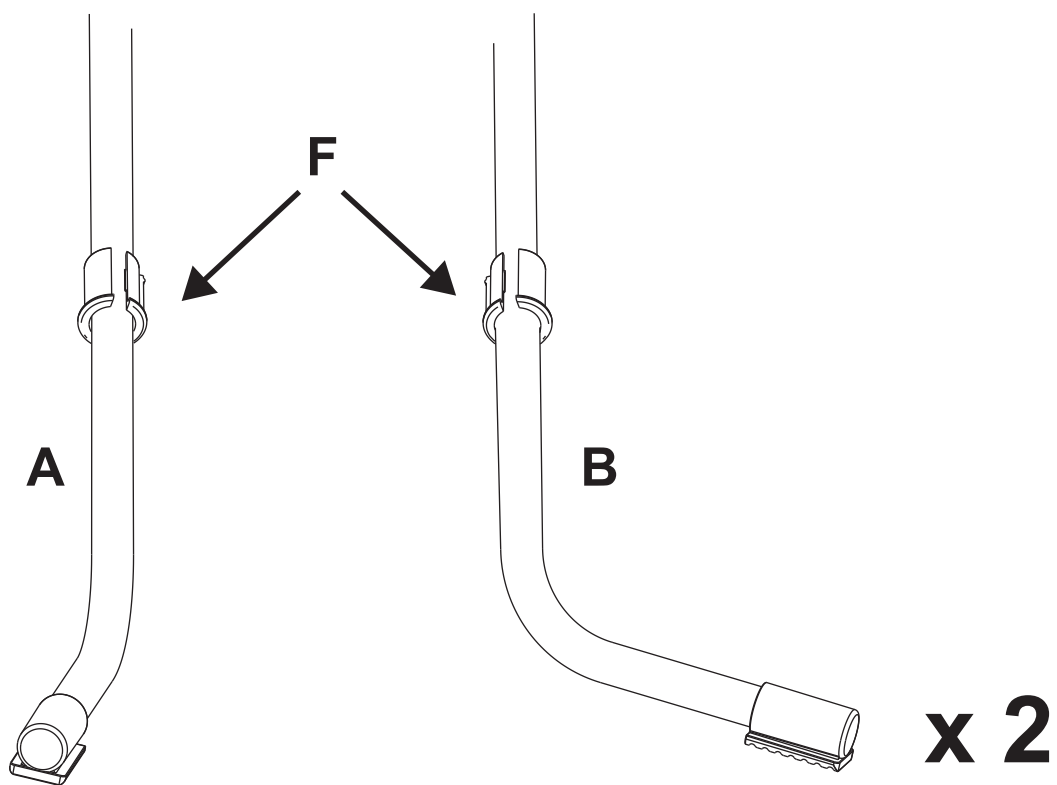
Part Number

Key	Description	Color Code	36" (91 cm)	42" (107 cm)	48" (122 cm)	52" (132 cm)
A 	Ladder Leg (R)	A	P5901510350W	P5901511860W	P5901513400W	P5901514720W
		B/E	P5901510350C	P5901511860C	P5901513400C	P5901514720C
		C	P5901510350K	P5901511860K	P5901513400K	P5901514720K
		D	P5901510350N	P5901511860N	P5901513400N	P5901514720N
B 	Ladder Leg (L)	A	P5901510351W	P5901511861W	P5901513401W	P5901514721W
		B/E	P5901510351C	P5901511861C	P5901513401C	P5901514721C
		C	P5901510351K	P5901511861K	P5901513401K	P5901514721K
		D	P5901510351N	P5901511861N	P5901513401N	P5901514721N
C 	Ladder Handrail	A	P5911010900W	P5911010900W	P5911010900W	05811010900W
		B/E	P5911010900C	P5911010900C	P5911010900C	P5811010900C
		C	P5911010900K	P5911010900K	P5911010900K	P5811010900K
		D	P5911010900N	P5911010900N	P5911010900N	P5811010900N
D 	Ladder Tread	A	P59PF0052B01	P59PF0052B01	P59PF0052B01	P59PF0052B01
		B	P59PF0052W05	P59PF0052W05	P59PF0052W05	P59PF0052W05
		C	P59PF00527CN	P59PF00527CN	P59PF00527CN	P59PF00527CN
		D	P59PF00528UN	P59PF00528UN	P59PF00528UN	P59PF00528UN
		E	P59PF0052C01	P59PF0052C01	P59PF0052C01	P59PF0052C01
E 	Ladder End Cap	A	P59PF0090B01	P59PF0090B01	P59PF0090B01	P59PF0090B01
		B	P59PF0090W05	P59PF0090W05	P59PF0090W05	P59PF0090W05
		C	P59PF00907CN	P59PF00907CN	P59PF00907CN	P59PF00907CN
		D	P59PF00908UN	P59PF00908UN	P59PF00908UN	P59PF00908UN
		E	P59PF0090C01	P59PF0090C01	P59PF0090C01	P59PF0090C01
F 	Ladder Tread Clip	A	P59PF0070B01	P59PF0070B01	P59PF0070B01	P59PF0070B01
		B	P59PF0070W05	P59PF0070W05	P59PF0070W05	P59PF0070W05
		C	P59PF00707CN	P59PF00707CN	P59PF00707CN	P59PF00707CN
		D	P59PF00708UN	P59PF00708UN	P59PF00708UN	P59PF00708UN
		E	P59PF0070C01	P59PF0070C01	P59PF0070C01	P59PF0070C01
G 	Machine Screw	A/B/C/D/E	P5911600350A	P5911600350A	P5911600350A	P5911600350A
H 	Washer	A/B/C/D/E	P5942M60000A	P5942M60000A	P5942M60000A	P5942M60000A
L 	Lock Washer	A/B/C/D/E	P5943M60000A	P5943M60000A	P5943M60000A	P5943M60000A
M 	Cap Nut	A/B/C/D/E	P59231M6000A	P59231M6000A	P59231M6000A	P59231M6000A
N 	Ladder Warning Bracket	A	P5942003021W	P5942003021W	P5942003021W	P5942003021W
		B/E	P5942003021C	P5942003021C	P5942003021C	P5942003021C
		C	P5942003021K	P5942003021K	P5942003021K	P5942003021K
		D	P5942003021N	P5942003021N	P5942003021N	P5942003021N

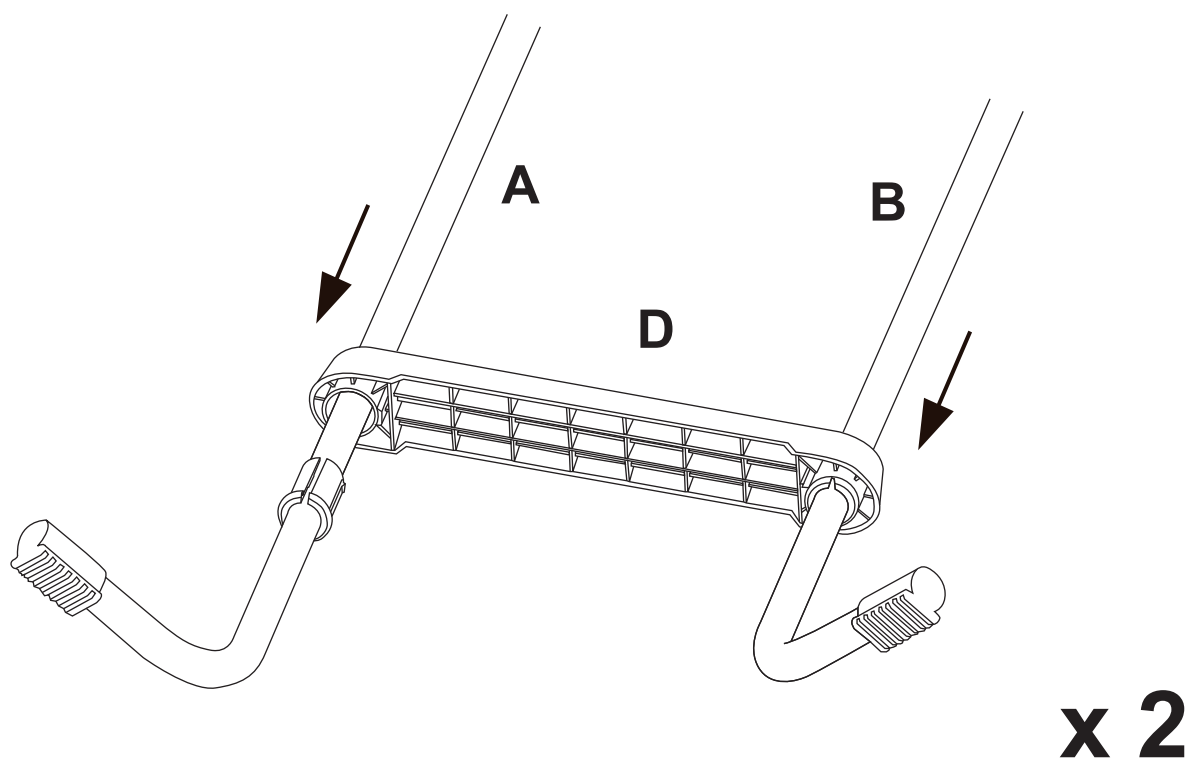
SETUP INSTRUCTIONS



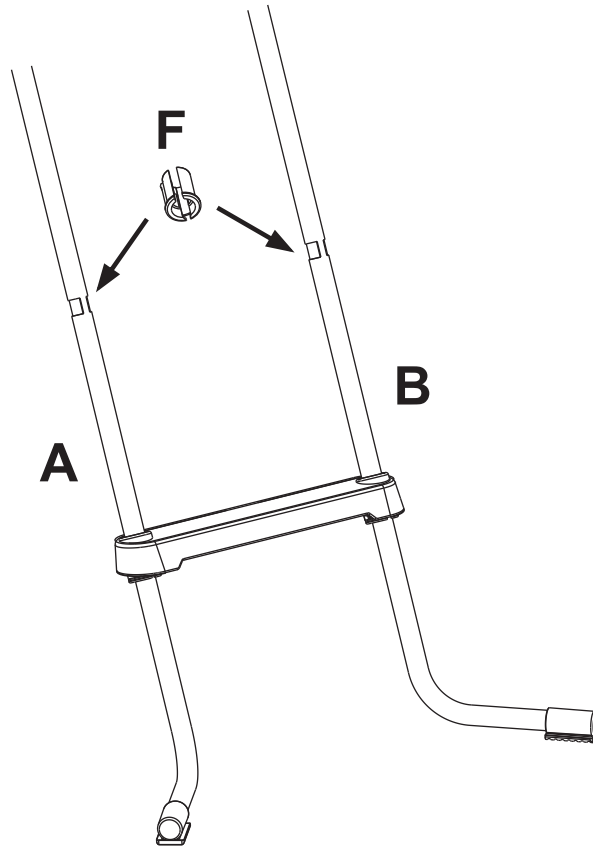
2.



3.

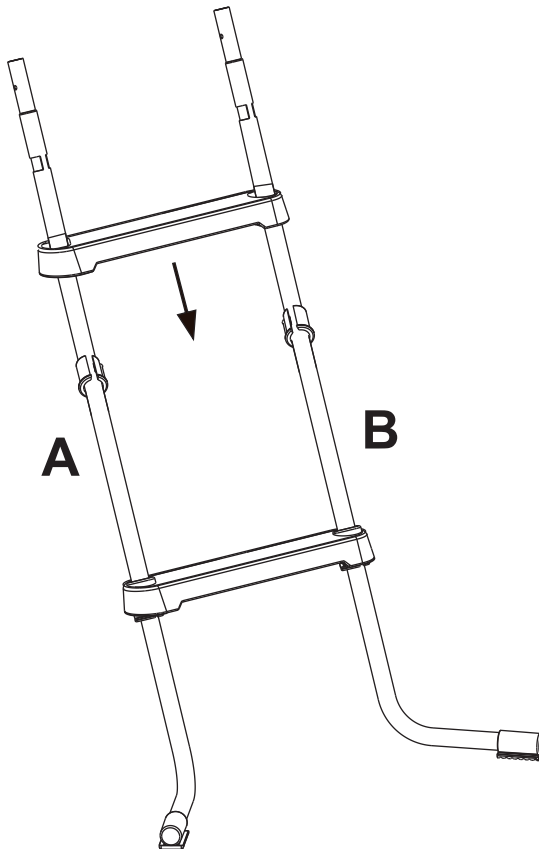


4.



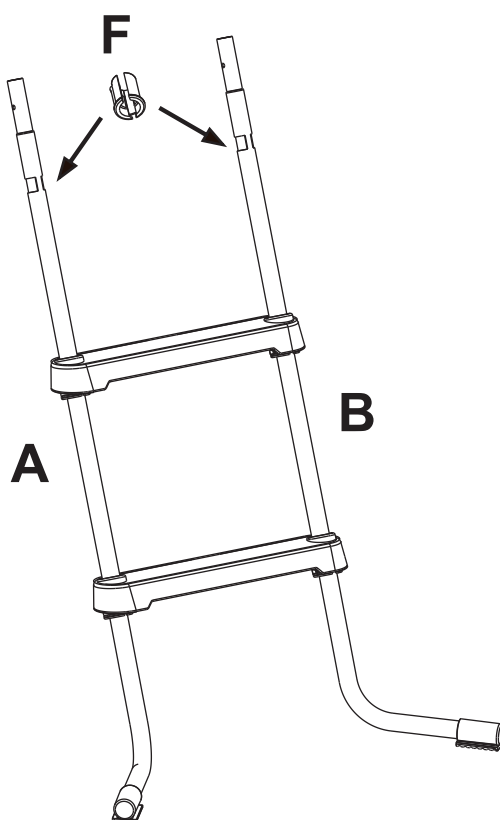
x 2

5.



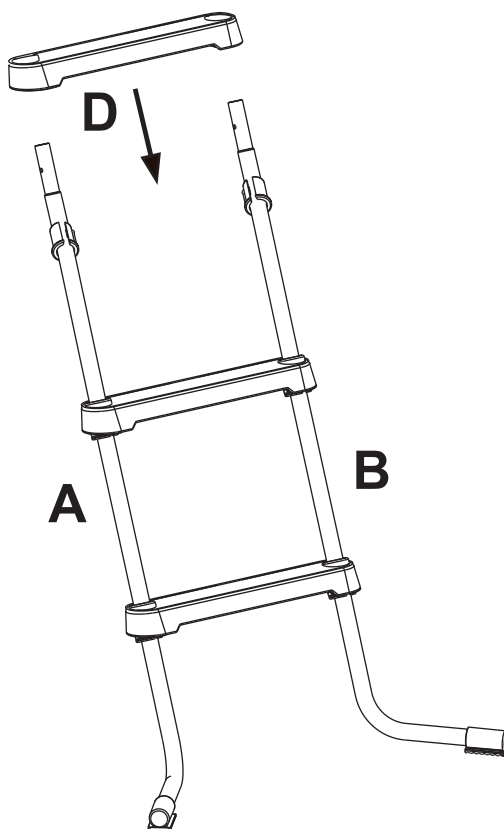
x 2

6.



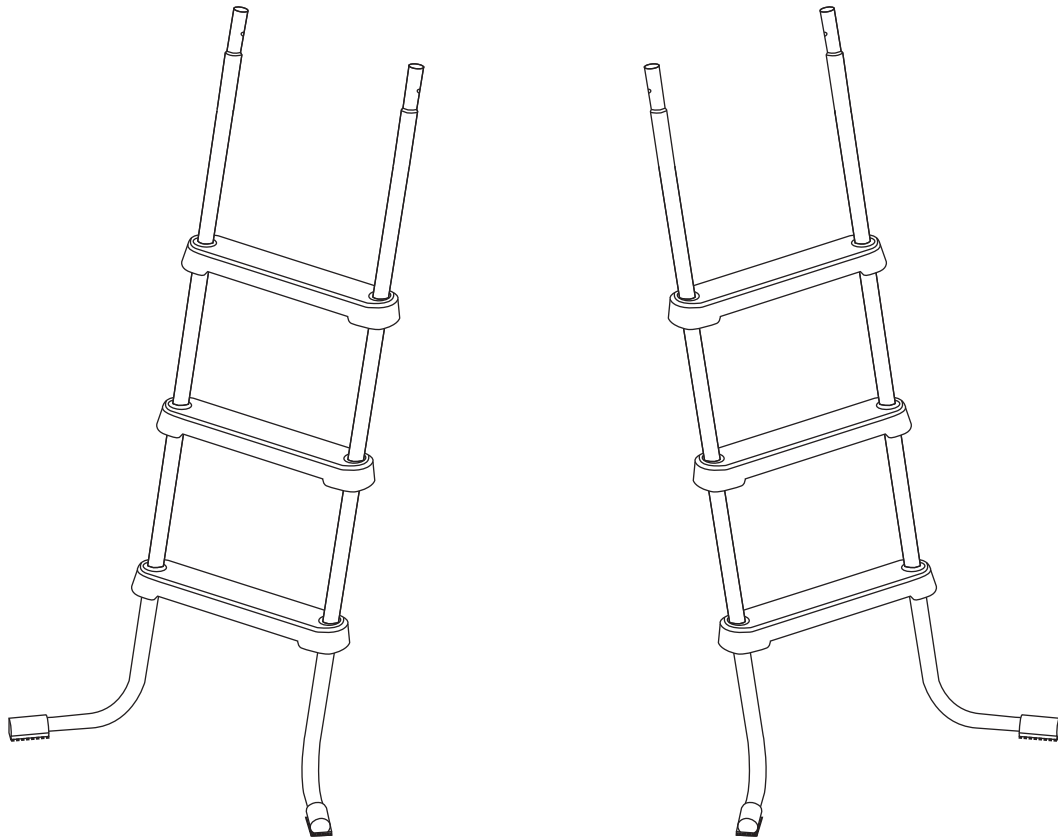
x 2

7.

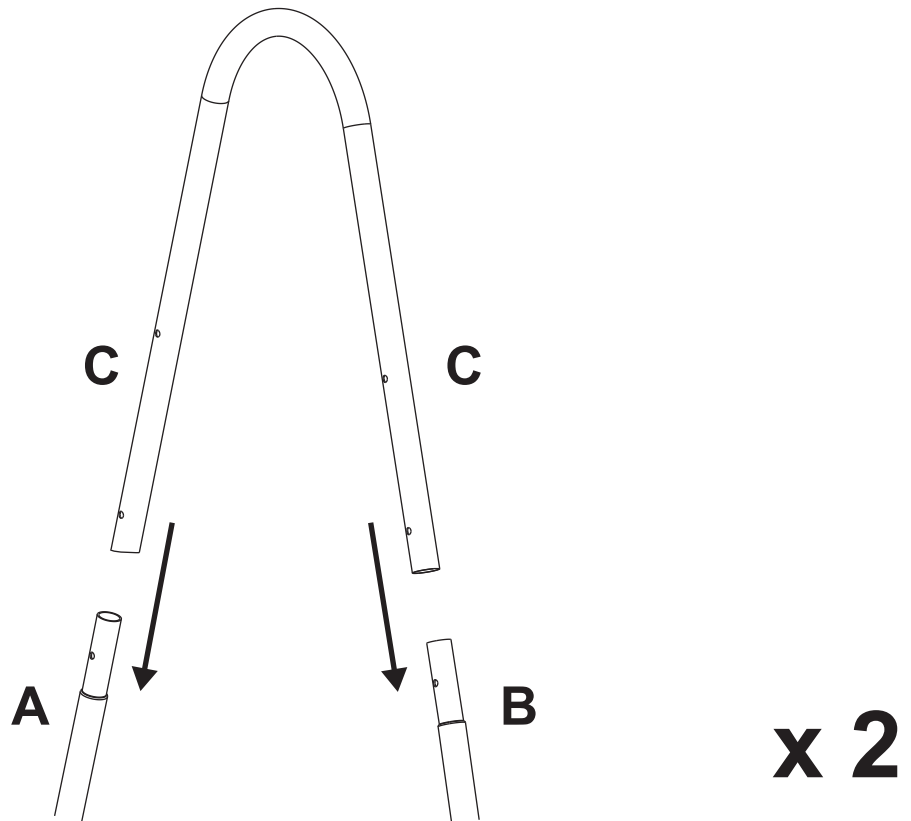


x 2

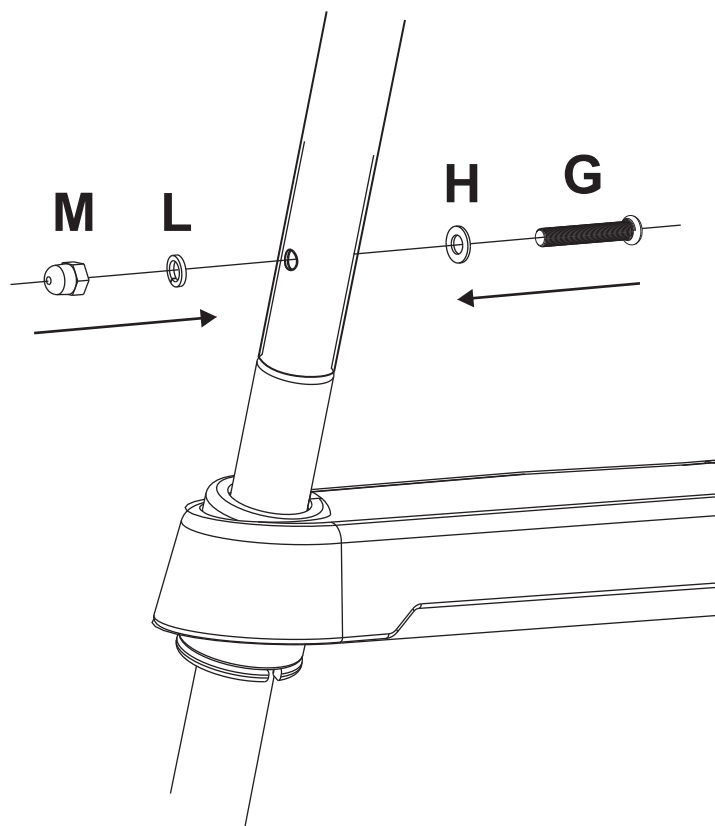
8.



9.

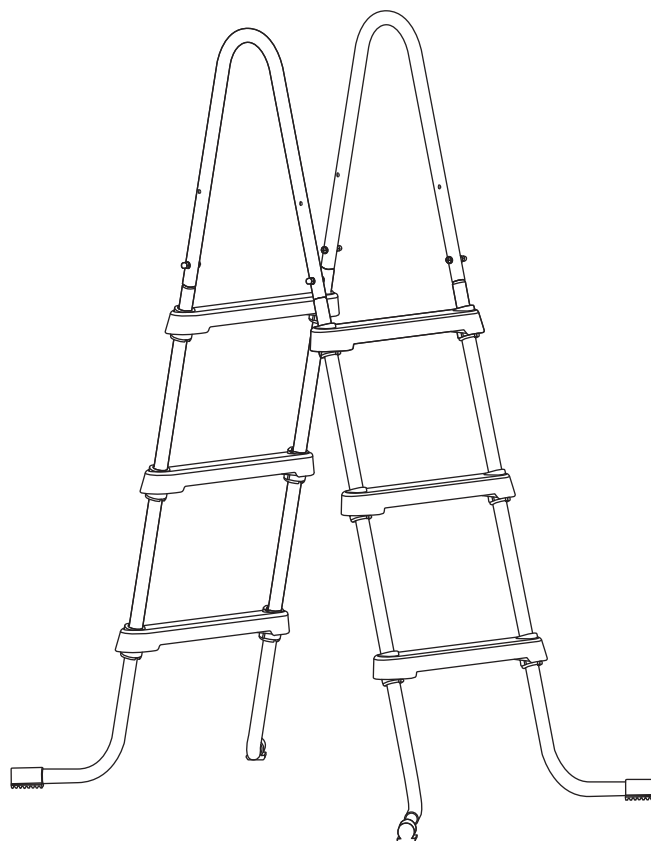


10.

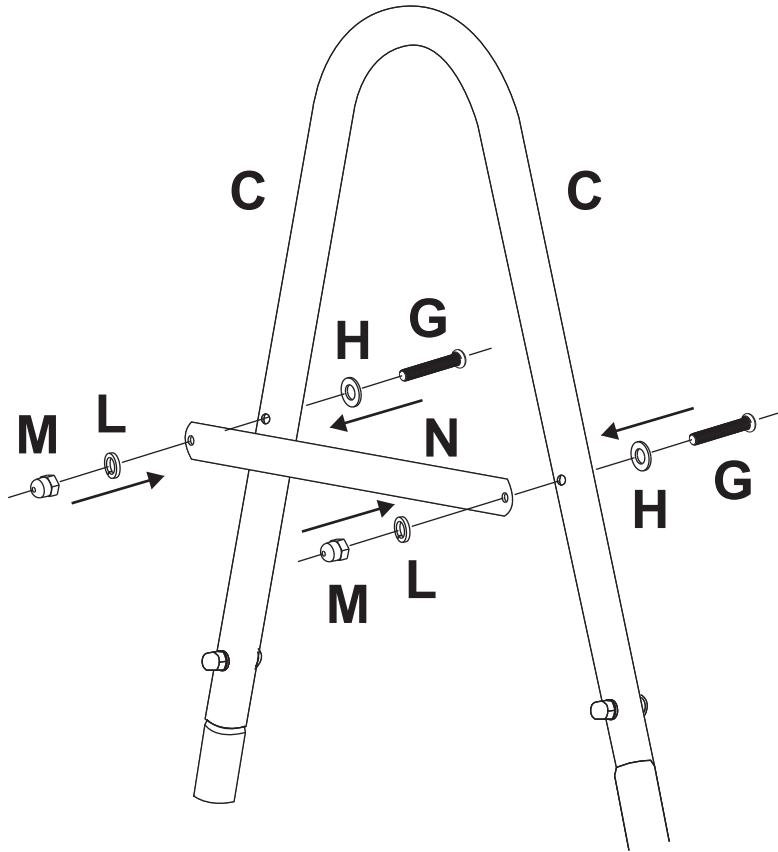


x 4

11.



12.



x 2

13.

