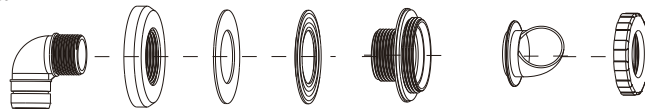


INSTRUCTIONS FOR POOL FOUNTAIN ATTACHMENT (INSTALLATION AND USE)

1. **NOTE:** This Fountain Attachment is designed **ONLY** to work with **Polygroup® Trading Limited Pools** and requires a threaded return fitting that uses a locking ring. **IMPORTANT:** Please see example picture below to confirm that you have the correct type of return fitting to use the fountain attachment.



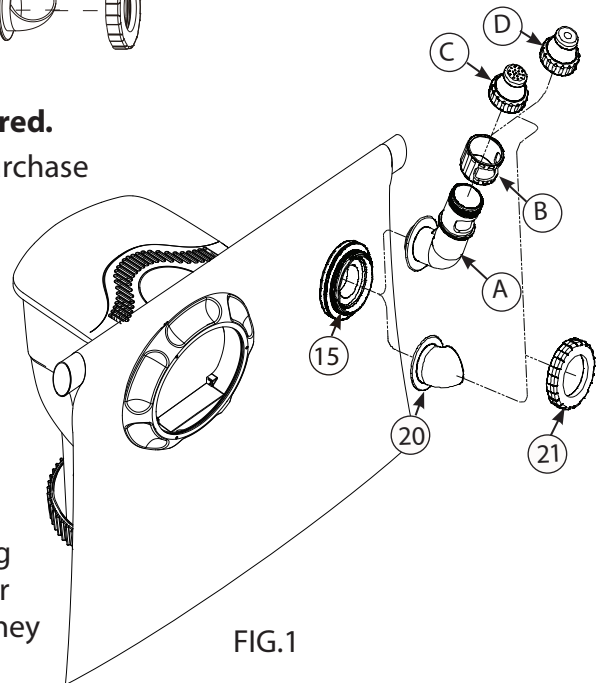
A threaded return fitting like the one shown above is required.

If you do not have the correct type of return fitting you may purchase one from polygroupstore.com

2. Before you begin to install your fountain turn off the pump. Loosen the Locking Ring # (21) on your existing return fitting and remove the Diverter Fitting # (20) and put it in a safe place for re-use later. Now slip the Locking Ring # (21) over the Fountain Mounting Elbow (A) and thread it back onto the Wall Fitting # (15) and tighten it while holding the Fountain Mounting Elbow (A) upright vertically see FIG. 1.

3. Next install the Flow Regulator (B) it slides onto the Mounting Elbow (A). Notice the Mounting Elbow (A) and Flow Regulator (B) both have slotted openings. For now align these so that they are both matched wide open.

4. Now install your choice of Spray Heads (C) or (D). **NOTE:** Spray Head (C) has multiple small holes of which will give you a multi stream fountain. Spray Head (D) is a single hole of which will give you more of a streaming fountain. Simply thread the Spray Head you chose onto the Mounting Elbow. Don't tighten the Spray Head completely at this time.
5. Next start your pump up and adjust the Flow Regulator (B) to achieve the fountain height and flow you desire. Now tighten the Spray Head (C) or (D) to hold the Flow Regulator (B) in place.



HELPFUL TIPS: When using your fountain make sure you are not spraying your water out of your pool. If you notice that you are, loosen the Spray Head and adjust the Flow Regulator to keep the fountain flow in the pool. Be sure to re-tighten the Spray Head to hold the Flow Regulator in place. Using the fountain on windy days may increase the chances of losing water. If you notice a decrease in fountain flow check your filter according to your Filter System Owners Manual, also check the Spray Head to make sure there is no debris in it. If debris is found in the Spray Head just flush it out with the garden hose.

FOUNTAIN DISASSEMBLY AND STORAGE

1. **GENERAL INFORMATION:** Remove Locking Collar (21) and remove the fountain unit parts (A- D)
 - A. All parts should be cleaned with a mild soap and lukewarm water only - DO NOT use detergent or hot water.
 - B. Make sure all parts are dry before storing to help prevent mildew from forming.
 - C. Store all parts in a dry heated area where temperatures do not go below 32° F or above 125° F.
 - D. Failure to follow the proper storage instructions could cause damage to the fountain.
 - E. Follow these assembly instructions to reassemble your POOL FOUNTAIN next season.