

SUMMER WAVES® METAL FRAME POOL

FOR ABOVE GROUND SWIMMING POOLS

8'-24' (2.44m-7.32m) models



READ AND KEEP THESE INSTRUCTIONS FOR FUTURE REFERENCE

For answers to common questions, setup videos and troubleshooting tips, please visit support.polygroupstore.com or call Customer Service: (888) 919-0070

DO NOT RETURN PRODUCT TO STORE

To order parts and accessories, please visit www.polygroupstore.com

Should you encounter a problem with your Polygroup® Product, please DO NOT return the product to the place of purchase. All Warranty claims must be made directly to Polygroup®. Prior to contacting Customer Service, please first review the Troubleshooting Guide in the Installation Manual, or review the FAQ and instructional videos at support.polygroupstore.com. If you are still unable to correct the problem, please contact Polygroup® Customer Service at (888) 919-0070.

Please have the product type, model number and your purchase receipt ready, so that our Customer Service Representative can assist you in resolving the problem. You may be asked to return all or part of the product for inspection and/or repair. Do not return any product to Polygroup® without a Return Merchandise Authorization number.

LIMITED WARRANTY

Polygroup® Limited (Macao Commercial Offshore), (hereinafter "Polygroup®") warrants to the original purchaser only, the Metal Frame Pool against defects in material and workmanship for **90 days from the date of purchase**. **Original Purchaser must retain proof of such purchase in the form of an original store sales receipt and must produce such upon request by Polygroup® or its designated agents. Warranty claims cannot be processed without a valid proof of purchase.** This Limited Warranty applies only to the original purchaser of the product and is limited solely to the repair or replacement of the product, to be decided in Polygroup®'s sole discretion. **Consequential damages, including claims for loss of water, pool chemicals, damage, or labor are not covered under this Limited Warranty.**

This Warranty will be declared invalid should the Purchaser modify or repair the product themselves or by unauthorized persons; use non-Polygroup® parts or accessories with the product; use the product in contravention of the manufacturer's Instructions; use improper voltage; abuse the product in any way; or through accident or negligence. Normal wear-and-tear is not covered under this Warranty, nor are acts of God outside the control of Polygroup®. Polygroup® will not be held responsible for grasses that may grow through the ground cloth and/or pool liner, as this is not a manufacturing defect.

IN NO EVENT SHALL POLYGROUP®, THEIR AUTHORIZED AGENTS, RELATED ENTITIES, OR EMPLOYEES BE LIABLE TO THE BUYER OR ANY OTHER PARTY FOR DIRECT OR CONSEQUENTIAL DAMAGES. Some states or countries, or others jurisdictions do not allow the exclusion or limitation of incidental or consequential damages, so the above limitation or exclusion may not apply to you.

TABLE OF CONTENTS

Warnings	3 ~ 7
Parts List	8
Setup Instructions	9 ~ 11
Pool Maintenance & Draining	12
Pool Storage & Winterizing	13
Pool Safety Sign	13
Pool Cover Safety.....	14

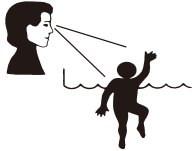
IMPORTANT SAFETY INSTRUCTIONS

When installing and using this electrical equipment, basic safety precautions should always be followed, including the following:

READ AND FOLLOW ALL INFORMATION AND INSTRUCTIONS

Keep for Future Reference. Failure to follow these warnings and instructions can result in serious injury or death to users, especially children.

WARNING



DANGER

PREVENT DROWNING!
CLOSELY WATCH CHILDREN WHO ARE IN OR NEAR THIS POOL. CHILDREN UNDER 5 ARE AT HIGHEST RISK FOR DROWNING. EMPTY POOL OR PREVENT ACCESS WHEN NOT IN USE.

NO DIVING!
SHALLOW WATER YOU CAN BREAK YOUR NECK AND BE PARALYZED.

WARNING

DO NOT SIT ON OR LAY OVER POOL WALL
YOU CAN BE PERMANENTLY INJURED.

AVOID ENTRAPMENT!
STAY AWAY FROM DRAINS & SUCTION FITTINGS. YOUR HAIR, BODY & JEWELRY CAN GET SUCKED INTO DRAIN. YOU COULD BE HELD UNDER WATER & DROWN. DO NOT USE POOL IF DRAIN OR SUCTION OUTLET COVER IS MISSING OR BROKEN.



- Set up the pool only on **LEVEL, STABLE, and COMPACT** soil.
 - **DO NOT** set up the pool on sand surface.
 - **DO NOT** use sand to level the ground.
 - Sand can be washed out, causing the pool to **DEFORM and COLLAPSE**. Failure to comply may result in **PERSONAL INJURY**.
 - Excessive sand inside the pool will **DAMAGE** the pool liner and filtration system.
- Failure to follow these instructions will void the warranty.**

NOTICE: CUSTOMERS THAT PURCHASE POOLS MAY BE REQUIRED BY LOCAL OR STATE LAW TO INCUR ADDITIONAL EXPENSES WHEN INSTALLING A POOL, IN ORDER TO COMPLY WITH STATE OR LOCAL LAWS REGARDING FENCING AND OTHER SAFETY REQUIREMENTS. CUSTOMERS SHOULD CONTACT THEIR LOCAL BUILDING CODE ENFORCEMENT OFFICE FOR FURTHER DETAILS. POLYGROUP® IS NOT RESPONSIBLE FOR ANY ADDITIONAL EXPENSES THAT YOU MAY INCUR.

Safety Care for Children

Drowning Risk:

1. Assign an adult to be responsible for watching children in the pool. Give this person a "water watcher" tag and ask that they wear it the entire time they are in charge of supervising children in the pool. If they need to leave for any reason, ask this person to pass the "water watcher" tag and the supervision responsibility to another adult. For replacement of the water watcher tag, Please please visit www.polygroupstore.com
2. Pool presents a drowning hazard even during filling and draining of the pool. Maintain constant supervision of children and do not remove any safety barriers until the pool is completely empty and stowed away.
3. Children, especially children younger than five years, are at high risk of drowning. Drowning occurs silently and quickly and can occur in as little as 2 in (5 cm.) of water.
4. Keep children in your direct sight, stay close, and actively supervise them when they are in or near this pool and when you are filling and emptying this pool.
5. When searching for a missing child, check the pool first, even if child is thought to be in the house.
6. Do not leave toys inside pool when finished using, since toys and similar items might attract a child to the pool. Position furniture (for example, tables, chairs) away from pool, so that children cannot climb on it to gain access to the pool. After using pool, remove water to a level of 1/2 in. (1 cm.) or less.
7. Locate pumps and filters in such a way that children cannot climb on them and gain access to the pool.

Swimming Pool Barriers

Very Important:

1. Swimming pool barriers, which restrict access to the pool by small children, may be required by law. A barrier is necessary to provide protection against potential drowning and near drowning. Barriers are not a substitute for constant supervision of children.
2. Keep unsupervised children from accessing the pool by installing fencing or other approved barrier around all sides of pool. State or local laws or codes may require fencing or other approved barriers. Check state or local laws and codes before setting up pool.
3. See latest published edition of CPSC Pub. No. 362 found at www.poolsafely.gov. "Safety Barrier Guidelines for Home Pools" U.S. Consumer Product Safety Commission at www.CPSC.gov/cpsc/pub/pubs/pool/pdf

Should you encounter any problems, contact Customer Service at (888) 919-0070 from 8 AM to 5 PM Mon. thru Fri. MST. Extended operating days and hours during peak season requirements.

Swimming Pool Equipment

1. The use of artificial pool lighting is at the discretion of the pool owner. Lighting, when installed, should be in accordance with Article 680 of the National Electrical Code (NEC) or its latest approved edition and in consultation with a licensed electrical professional.
2. Keep all electrical lines, radios, speakers, and other electrical appliances away from the pool.
3. Do not place pool near or under overhead electrical lines.
4. All electrical components installed in and/or adjacent to an aboveground/onground residential swimming pool shall be installed in accordance with and shall comply with the requirements of the latest published edition of NFPA 70, National Electrical Code (NEC®) Article 680, Swimming pools, fountains, and similar installations, and any state or local code.

Swimming Pool Awareness

Warning :

1. **ADULT ASSEMBLY REQUIRED:** Care should be taken in unpacking and assembling the pool; this pool may contain accessible potentially hazardous sharp edges, sharp points, or small parts that are a necessary part of the pool's function.
2. **Do not install the pool on a slope or inclined surfaces, on soft or loose soil conditions (such as sand or mud), or on an elevated surface such as a deck, platform or balcony, which may collapse under the weight of the filled pool.**
3. **TO AVOID DANGER OF SUFFOCATION:** Keep the plastic bag used in this product away from babies and children; do not use the bag in cribs, beds, carriage, or playpens. The plastic bag could block nose and mouth and prevent breathing. The plastic bag is not a toy.
4. If a drain or suction outlet cover is missing or broken, do not use the pool. Suction can cause body part entrapment, hair and jewelry entanglement, evisceration, or drowning. Repair or replace the drain or suction outlet cover before allowing the pool to be used.
5. During nighttime pool use, artificial lighting shall be used to illuminate all safety signs, ladders, steps, deck surfaces, and walks.
6. The floor of the pool shall be visible at all times from the outside perimeter of the pool.
7. Keep your pool clean and clear. The deepest part of pool must be visible at all times from the outside barrier of the pool.
8. Post a list of emergency telephone numbers such as the nearest available police, fire, ambulance, and/or rescue unit. These numbers are to be kept near the telephone, which is closest to the pool.
9. Basic lifesaving equipment, including one of the following, should be on hand at all times:
 - A light, strong, rigid pole (shepherds crook) not less than twelve feet (12') [366 cm] long.
 - A minimum one-fourth inch (1/4") [6.35 mm] diameter rope as long as one and one half (1-1/2) times the maximum width of the pool or fifty feet (50') [15.24 meters], whichever is less, which has been firmly attached to a Coast Guard-approved ring buoy having an outside diameter of approximately fifteen inches (15") [38.1 cm], or similarly approved flotation device.
10. The pool is subject to wear and deterioration. If not maintained properly, certain types of excessive or accelerated deterioration can lead to failure of the pool structure that might release large quantities of water that could cause bodily harm and property damage.
11. Never allow horseplay, diving, or jumping into or around the pool. Serious injury, paralysis, or death could result when this rule is disregarded. **DO NOT ALLOW** anyone to swim alone without supervision.
12. Pool shall be located at a minimum distance of 6ft (1.83m) from any receptacle, and all 125-volt 15- and 20-ampere receptacles located within 20ft (6.0m) of the pool shall be protected by a ground fault circuit interrupter (GFCI), where distances are by measuring the shortest path the supply cord of an appliance connected to the receptacle would follow, without piercing a floor, wall, ceiling, doorway with hinged or sliding door, window opening, or other effective permanent barrier, to the inside wall of the pool.

Circulation Systems

1. Installers shall follow written instructions regarding positioning of all equipment connected to the circulation systems.
2. The installer shall follow written instructions provided for operating the circulation system components.
3. All circulation system components and pumps that require replacement or servicing shall be installed according to the pump's instruction manual.
4. Circulation equipment shall be installed per manufacturer's instructions to provide proper mounting and support, to prevent damage from misalignment, settlement, and vibration, and to minimize the potential for the accumulation of debris and moisture. Please refer to pump's instruction manual.
5. Replacement pump should never exceed the maximum flow rate marked on the suction fitting.

Ladder

1. The ladder shall be located on a solid base, and the ladder shall be installed per the manufacturer's instructions.
2. One person on the ladder/stair at a time.
3. This ladder is designed and manufactured for a specific pool wall height.
4. For entry/exit of pool, face the ladder at all times.
5. To prevent entrapment or drowning do not swim through, behind, or around ladder.
6. Remove and secure ladder when pool is not occupied.

Pool Cover

Pool covers used for safety barriers shall comply with the latest published edition of ASTM F-1346, Standard performance specifications for safety covers and labeling requirements for all covers for swimming pools, spas, and hot tubs.

Chemicals

For safety sake, ensure the deepest part of the pool is always visible. The user must properly maintain pool water clarity at all times. Check the pH and chlorine levels periodically, and make sure they are within the recommended limits. Additional water treatment chemicals might be needed from time to time. Have the water sample tested by a local pool supply store to determine if additional chemicals are needed. Turn on the pump for the recommended hours daily. If you are unsure of the time frames please refer to support.polygroupstore.com for the recommended Pump Operation Hours based on pool types and sizes. Clean and replace filter cartridge frequently. Replace only with genuine Polygroup® / Summer Waves® Brand filter cartridge. Refer to the Filter Pump manual for additional water care information.

Entrapment Risk

1. **Entrapment Avoidance:** There shall be no protrusions or other obstruction in the swimming area, which may cause entrapment or entanglement of the user. If a suction outlet cover is missing or broken, do not use the pool. Suction can cause body part entrapment, hair and jewelry entanglement, evisceration, or drowning. Repair or replace the suction outlet cover before allowing the pool to be used.
2. **DANGER! TO AVOID SERIOUS INJURY OR DEATH, CLOSE THE POOL OR SPA TO BATHERS IF ANY SUCTION OUTLET COVER/GRATE IS MISSING, BROKEN, OR INOPERATIVE.**
3. Never play or swim near drains or suction fittings. Your body or hair may be trapped, causing permanent injury or drowning.
4. Never enter the pool or spa if a suction fitting or drain cover is loose, broken, or missing.
5. Immediately notify the pool/spa owner or operator if you find a drain cover loose, broken, or missing.

Drowning Risk

1. Keep unsupervised children from accessing the pool by installing fencing or other approved barrier around all sides of pool. State or local laws or codes may require fencing or other approved barriers. Check state or local laws and codes before setting up pool.
2. Remove pool ladders before leaving the pool. Children as young as 2 years have climbed up ladders and into pools and drowned.
3. Toys, chairs, tables, or similar objects that a young child could climb shall be at least four feet (4') [121.92 cm] from the pool. The pump filter system shall be positioned so as to prevent it from being used as a means of access to the pool by young children.

Diving Risk

1. Above ground / onground residential swimming pools are for swimming and wading only. No diving boards, slides, or other equipment are to be added to an above ground / onground pool that in any way indicates that an above ground / onground pool may be used or intended for diving or sliding purposes.
2. Do not dive into this pool. Diving into shallow water can result in a broken neck, paralysis, or death.

Electrocution Risk

1. Keep all electrical lines, radios, speakers, and other electrical appliances away from the pool.
2. Do not place pool near or under overhead electrical lines.

First Aid

1. Keep a working phone and a list of emergency numbers near the pool.
2. Become certified in cardiopulmonary resuscitation (CPR). In the event of an emergency, immediate use of CPR can make a lifesaving difference.

Special Warning

1. Local building codes may require obtaining a building or electrical permit. Installer shall follow regulations on setback, barriers, devices, and other conditions.
2. Safety signs shall comply with requirements of ANSI-Z535 and use signal wording.
3. DO NOT attempt to assemble this pool in adverse weather conditions, windy conditions, or when the temperature is below 60°F.
4. This is a storable pool, which should be disassembled and stored when temperatures are expected to fall below 32°F.
5. The installer shall ensure that all pools and their related components that are installed in an indoor environment shall comply with the ventilation requirements of ANSI/ASHRAE 62 or the latest published edition of Ventilation for acceptable indoor air quality, Table 2, Article 2.1.
6. The placement of the pool and portable pools shall be set up so that they comply with local safety and building codes.
7. **WARNING!** Competent supervision and knowledge of the safety requirements are the only way to prevent drowning or permanent injury in the use of this product! Never leave your children unattended.

Extra Safety Warning

1. Teach your children to swim.
2. Never dive, jump, or slide into the pool.
3. Adult supervision is always required.
4. Parents should learn CPR.
5. Never swim alone.
6. Keep all electrical radios, speakers and other appliances away from the swimming pool.
7. When you touch the filter, pump, or electrical parts, be sure the ground under your feet is "Bone Dry."

8. Connect power cords to a 3-wire grounding-type outlet only.
9. Keep all breakable objects out of the pool area.
10. Alcohol consumption and pool activities do not mix. Never allow anyone to swim, dive, or slide under the influence of alcohol or drugs.
11. Severe electrical shock could result if you install your pump or filter on a deck. The pump or filter could fall into the water, causing severe shock or electrocution.
12. Do not install on a deck.
13. Do not use the pool during severe weather conditions, i.e. electrical storms, tornadoes, etc.
14. Be aware of overhead power lines when vacuuming your pool or using a telescoping pole.
15. Do not allow diving, climbing, sitting, or standing on the top rails of the pools.
16. Do not allow roughhousing and horseplay.
17. Do not engage in extended breath holding activities underwater; you may black out and drown.
18. Install a pool ladder(s) or staircase for entry and exit from the pool.
19. Check regularly for signs of wear or loose bolts that could make the pool unsafe.
20. Instruct pool users about the proper use of all pool ladder(s) and staircases.
21. Face ladder going up or down.
22. Allow only one person at a time on the ladder.
23. Remove or secure the ladder to prevent entry to pool when not in use.
24. Check all nuts and bolts regularly to ensure that the ladder stays sturdy.
25. Please contact pool site dealer or manufacturer for additional safety signs if deemed necessary.
26. For pool service, select a certified pool professional. For additional safety information, see www.APSP.org.

Consumer Awareness Booklets and Information Source

CONTACT: U.S. Consumer Product Safety Commission at www.CPSC.gov/cpsc/pub/pubs/pool/pdf, Pub. #362 "Safety Barrier Guidelines for Home Pools."

1. The Sensible Way to Enjoy Your Aboveground/Onground Swimming Pool.
2. Children Aren't Waterproof.
3. Layers of Protection.
4. Pool and Spa Emergency Procedures for Infants and Children.
5. Be Safety Aware Copies of the above brochures are available free from the APSP. Go to: www.APSP.org.

Safety Education Programs and Materials Educational programs and materials (i.e., seminars, workshops, brochures, videos, instructional guides) are available from the APSP, other aquatic safety groups, and by private firms. As a means of communicating useful safety information to pool owners/operators and users, industry members are permitted to provide such information to owners/operators and to request or require owners/operators to sign a statement that they have received, read, and will follow the guidelines.

Other sources of safety information:

- www.cdc.gov
- www.cpsc.gov
- www.drowningpreventionalliance.com
- www.nspf.org
- www.safekids.org

ANSI American National Standards Institute
25 West 43rd Street, New York NY 10036
Contact: 212-642-4900
www.ansi.org

APSP Association of Pool & Spa Professionals
(formerly National Spa and Pool Institute)
2111 Eisenhower Avenue, Ste. 500
Alexandria VA 22314-4679
Contact: 703-838-0083
www.apsp.org

NSPI National Spa and Pool Institute (see APSP)

UL Underwriters Laboratories
333 Pfingsten Road, Northbrook IL 60062-2096
Contact: 847-272-8800
www.ul.com

NSF NSF International
P.O. Box 130140
789 N. Dixboro Road
Ann Arbor MI 48105
Contact: 800-673-6275 or 734-769-8010
www.nsf.org

ASTM ASTM International (formerly American Society of Testing & Materials)
100 Barr Harbor Drive, P.O. Box C700 West Conshohocken, PA 19428-2959
Contact: 877-909-2786 (USA & CANADA) or 610-832-9585 (International)
www.astm.org

NEC National Electrical Code (see NFPA)
NFPA National Fire Protection Association
1 Batterymarch Park, Quincy MA 02169-7471
Contact: 800 344-3555 (U.S. & Canada) or 617 770-3000 (International)
www.nfpa.org

ASME American Society of Mechanical Engineers
Two Park Avenue, New York NY 10016-5990
Contact: 800-843-2763 (U.S. & CANADA) or 973-882-1170 (Outside N. America)
www.asme.org

Filtration Systems

Any equipment connected to the circulation systems shall be positioned so as to prevent their being used as a means of access to the pool by young children. (See the latest published edition of ANSI/ APSP-8 Model Barrier Code for Residential Swimming Pools, Spas, and Hot Tubs.)

Should you encounter any problems, contact Customer Service at (888) 919-0070 from 8 AM to 5 PM Mon. thru Fri.
MST. Extended operating days and hours during peak season requirements.

Barrier

Barrier is necessary to provide protection against potential drowning and near drowning, and barriers are not a substitute for the constant supervision of children. (See latest published edition of ANSI/APSP-8 Model Barrier Code for Residential Swimming Pools, Spas, and Hot Tubs.)

Risk of Drowning, Entrapment, and Diving Accidents

Publications are available that describe the risk of drowning, entrapment, and diving accidents. Available publications related to pool safety include the Association of Pool and Spa Professionals' (APSP) booklets entitled: The Sensible Way to Enjoy Your Aboveground/ Onground Swimming Pool, Children Aren't Waterproof, Pool and Spa Emergency Procedures for Infants and Children, Layers of Protection, and the latest published edition of ANSI/APSP-8 Model Barrier Code for Residential Swimming Pools, Spas, and Hot Tubs.

Installer Responsibilities

All of these components shall be positioned so as to prevent their being used as a means of access to the pool by young children.

All safety signs shall be affixed above the water line according to manufacturer's instructions.

(See the latest published edition of ANSI/APSP-8 Model Barrier Code for Residential Swimming Pools, Spas, and Hot Tubs.)

PARTS LIST

Metal Frame Pool	1		2		3		4		5		6		7		
	Pool Liner		Horizontal Beam		Vertical Leg		T-Fitting		Leg Cap		Pin & Grommet (with 2 extra)		Pre-installed V-Shape Spring Pin (w/1 extra)		
Pool Size	Part #		Qty.	Part #	Qty.	Part #	Qty.	Part #	Qty.	Part #	Qty.	Part #	Qty.	Part #	Qty.
08'x30"	P20008301099	P20008303099	x1	P5A1A0001W01	x8	P5A2A0001W01	x8	P5A3A0000W01	x8	P5APF1450K01	x8	P5A149144W02	x18	P5APF121BW01	x9
10'x30"	P20010301099	P20010303099	x1	P5A1A0001W01	x10	P5A2A0001W01	x10	P5A3A0001W01	x10	P5APF1450K01	x10	P5A149144W02	x22	P5APF121BW01	x11
10'x42"	P20010421099	P20010423099	x1	P5A1A0001W01	x10	P5A2A0014W01	x10	P5A3A0001W01	x10	P5APF1450K01	x10	P5A149144W02	x22	P5APF121BW01	x11
11'x30"	P20011301099	P20011303099	x1	P5A1A0001W01	x11	P5A2A0001W01	x11	P5A3A0002W01	x11	P5APF1450K01	x11	P5A149144W02	x24	P5APF121BW01	x12
12'x30"	P20012301099	P20012303099	x1	P5A1A0001W01	x12	P5A2A0001W01	x12	P5A3A0003W01	x12	P5APF1450K01	x12	P5A149144W02	x26	P5APF121BW01	x13
12'x30"	P20012305099	--	x1	P5A1A0001G02	x12	P5A2A0001G02	x12	P5A3A0003G02	x12	P5APF1450G8U	x12	P5A149144G8U	x26	P5APF121BG8U	x13
12'x33"	P20012331099	P20012333099	x1	P5A1A0001W01	x12	P5A2A0012W01	x12	P5A3A0003W01	x12	P5APF1450K01	x12	P5A149144W02	x26	P5APF121BW01	x13
12'x36"	P20012361099	P20012363099	x1	P5A1A0001W01	x12	P5A2A0002W01	x12	P5A3A0003W01	x12	P5APF1450K01	x12	P5A149144W02	x26	P5APF121BW01	x13
12'x39"	P20012391099	P20012393099	x1	P5A1A0001W01	x12	P5A2A0003W01	x12	P5A3A0003W01	x12	P5APF1450K01	x12	P5A149144W02	x26	P5APF121BW01	x13
12'x48"	P20012481099	P20012483099	x1	P5A1A0002W01	x12	P5A2A0008W01	x12	P5A3A0004W01	x12	P5APF1450K01	x12	P5A149144W02	x26	P5APF121BW01	x13
12'x52"	P20012521099	P20012523099	x1	P5A1A0002W01	x12	P5A2A0009W01	x12	P5A3A0004W01	x12	P5APF1450K01	x12	P5A149144W02	x26	P5APF121BW01	x13
13'x30"	P20013301099	P20013303099	x1	P5A1A0001W01	x13	P5A2A0001W01	x13	P5A3A0001W01	x13	P5APF1450K01	x13	P5A149144W02	x28	P5APF121BW01	x14
13'x33"	P20013331099	P20013333099	x1	P5A1A0001W01	x13	P5A2A0010W01	x13	P5A3A0001W01	x13	P5APF1450K01	x13	P5A149144W02	x28	P5APF121BW01	x14
13'x39"	P20013391099	P20013393099	x1	P5A1A0001W01	x13	P5A2A0003W01	x13	P5A3A0001W01	x13	P5APF1450K01	x13	P5A149144W02	x28	P5APF121BW01	x14
13'x52"	P20013521099	P20013523099	x1	P5A1A0002W01	x13	P5A2A0006W01	x13	P5A3A0004W01	x13	P5APF0490K01	x13	P5A120144W01	x28	P5APF121AW01	x14
14'x36"	P20014361099	P20014363099	x1	P5A1A0002W01	x14	P5A2A0004W01	x14	P5A3A0004W01	x14	P5APF0490K01	x14	P5A120144W01	x30	P5APF121AW01	x15
14'x42"	P20014421099	P20014423099	x1	P5A1A0002W01	x14	P5A2A0005W01	x14	P5A3A0004W01	x14	P5APF0490K01	x14	P5A120144W01	x30	P5APF121AW01	x15
14'x52"	P20014521099	P20014523099	x1	P5A1A0002W01	x14	P5A2A0006W01	x14	P5A3A0004W01	x14	P5APF0490K01	x14	P5A120144W01	x30	P5APF121AW01	x15
15'x33"	P20015331099	P20015333099	x1	P5A1A0002W01	x15	P5A2A0016W01	x15	P5A3A0005W01	x15	P5APF0490K01	x15	P5A120144W01	x32	P5APF121AW01	x16
15'x42"	P20015421099	P20015423099	x1	P5A1A0002W01	x15	P5A2A0005W01	x15	P5A3A0005W01	x15	P5APF0490K01	x15	P5A120144W01	x32	P5APF121AW01	x16
15'x46"	P20015461099	P20015463099	x1	P5A1A0002W01	x15	P5A2A0011W01	x15	P5A3A0005W01	x15	P5APF0490K01	x15	P5A120144W01	x32	P5APF121AW01	x16
15'x48"	P20015481099	P20015483099	x1	P5A1A0002W01	x15	P5A2A0008W01	x15	P5A3A0005W01	x15	P5APF0490K01	x15	P5A120144W01	x32	P5APF121AW01	x16
15'x52"	P20015521099	P20015523099	x1	P5A1A0002W01	x15	P5A2A0009W01	x15	P5A3A0005W01	x15	P5APF0490K01	x15	P5A120144W01	x32	P5APF121AW01	x16
16'x42"	P20016421099	P20016423099	x1	P5A1A0002W01	x16	P5A2A0007W01	x16	P5A3A0006W01	x16	P5APF0490K01	x16	P5A120144W01	x34	P5APF121AW01	x17
16'x48"	P20016481099	P20016483099	x1	P5A1A0002W01	x16	P5A2A0008W01	x16	P5A3A0006W01	x16	P5APF0490K01	x16	P5A120144W01	x34	P5APF121AW01	x17
16'x52"	P20016521099	P20016523099	x1	P5A1A0002W01	x16	P5A2A0009W01	x16	P5A3A0006W01	x16	P5APF0490K01	x16	P5A120144W01	x34	P5APF121AW01	x17
17'x48"	P20017481099	P20017483099	x1	P5A1A0002W01	x17	P5A2A0008W01	x17	P5A3A0007W01	x17	P5APF0490K01	x17	P5A120144W01	x36	P5APF121AW01	x18
17'x52"	P20017521099	P20017523099	x1	P5A1A0002W01	x17	P5A2A0009W01	x17	P5A3A0007W01	x17	P5APF0490K01	x17	P5A120144W01	x36	P5APF121AW01	x18
18'x42"	P20018421099	P20018423099	x1	P5A1A0002W01	x18	P5A2A0007W01	x18	P5A3A0008W01	x18	P5APF0490K01	x18	P5A120144W01	x38	P5APF121AW01	x19
18'x48"	P20018481099	P20018483099	x1	P5A1A0002W01	x18	P5A2A0008W01	x18	P5A3A0008W01	x18	P5APF0490K01	x18	P5A120144W01	x38	P5APF121AW01	x19
18'x52"	P20018521099	P20018523099	x1	P5A1A0002W01	x18	P5A2A0009W01	x18	P5A3A0008W01	x18	P5APF0490K01	x18	P5A120144W01	x38	P5APF121AW01	x19
20'x48"	P20020481099	P20020483099	x1	P5A1A0002W01	x20	P5A2A0008W01	x20	P5A3A0009W01	x20	P5APF0490K01	x20	P5A120144W01	x42	P5APF121AW01	x21
24'x48"	P20024481099	P20024483099	x1	P5A1A0002W01	x24	P5A2A0008W01	x24	P5A3A0010W02	x24	P5APF0490K01	x24	P5A120144W01	x50	P5APF121AW01	x25
24'x52"	P20024521099	P20024520099	x1	P5A1A0002W01	x24	P5A2A0009W01	x24	P5A3A0010W02	x24	P5APF0490K01	x24	P5A120144W01	x50t	P5APF121AW01	x25

Should you encounter any problems, contact Customer Service at (888) 919-0070 from 8 AM to 5 PM Mon. thru Fri. MST. Extended operating days and hours during peak season requirements.

SETUP INSTRUCTIONS

Before assembling your product, please take a few minutes to check the contents and become familiar with all the parts.

WARNING - DO NOT overfill the pool and / or allow people to lay over or sit on pool wall - DOING SO CAN CAUSE PERMANENT INJURY!
DRAIN pool to the proper level after a heavy rain.

TIP: It will be much easier to install your pool if you unfold it and let it lay in direct sunlight for about 2 hours prior to installation. This will help to ensure a wrinkle-free fit because the pool material will be more pliable allowing it to form into shape during installation.

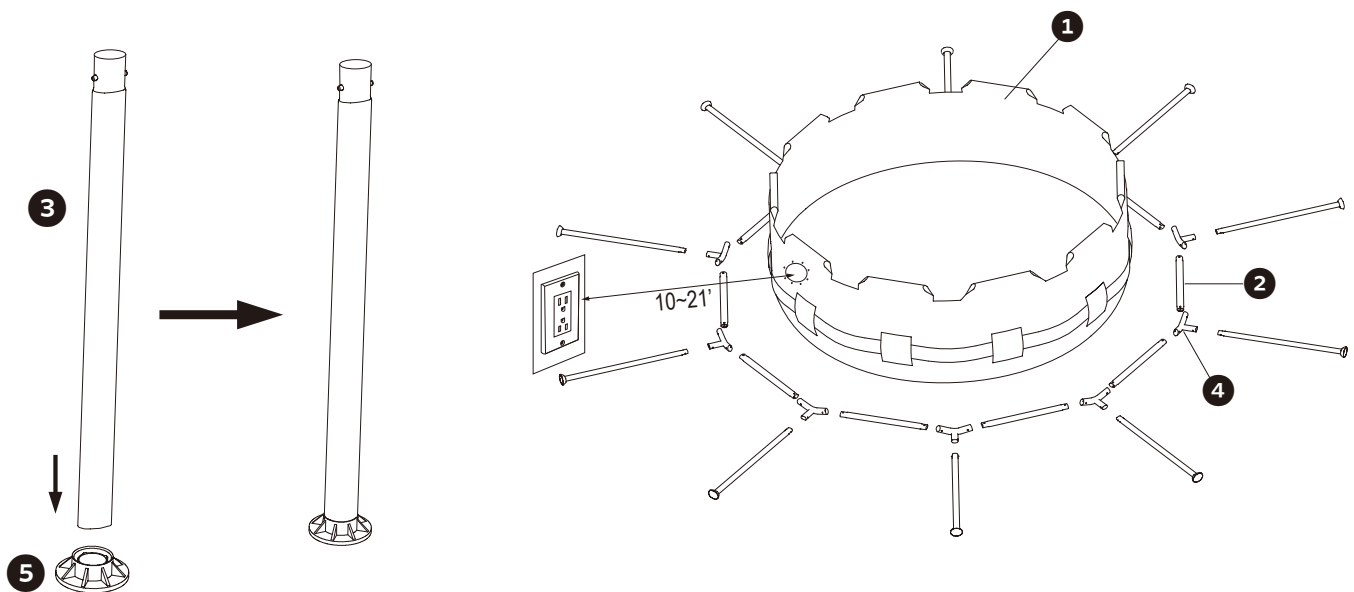
WARNING - VERY IMPORTANT! SITE MUST BE LEVEL, STABLE, COMPACTED SOIL.

- The pool must be assembled on a smooth and level site of firm soil that is free of stones, gravel, sticks, blacktop, or other oil base compounds.
- Before setting up your pool, it is recommended that you clear the area of hardy grasses. Certain types of vigorous grasses such as St. Augustine and Bermuda can grow through the liner. A ground cloth or tarp may be helpful in preventing this from occurring. Grass growing through the liner is not covered under warranty.
- Do not install pool on a wooden deck or any type of wooden surface. You cannot use sand and/or uncompacted soil to provide a level surface for this pool; it will only wash out.
- FAILURE TO FOLLOW ALL OF THESE INSTRUCTIONS WILL CAUSE POOL TO COLLAPSE AND WILL VOID THE WARRANTY!

1. Select a level area, and completely remove all debris, twigs, stones, etc. DO NOT select an area under overhead electrical lines, trees, or within 15 feet of a house, building, etc.
2. The pool shall be located a minimum distance of 6ft (1.83m) from any electrical receptacle.
3. All 125 volt, 15 and 20 ampere receptacles located within 20ft (6.0m) of the pool shall be protected by a ground fault circuit interrupter (GFCI).
The 20ft (6m) distance is measured via the shortest straight line distance the supply cord would follow without piercing a floor, wall, ceiling, doorway, window, or other permanent barrier.
4. Contact your local utilities, checking that no underground cables, telephone lines, gas lines, etc. run beneath the area you have selected.

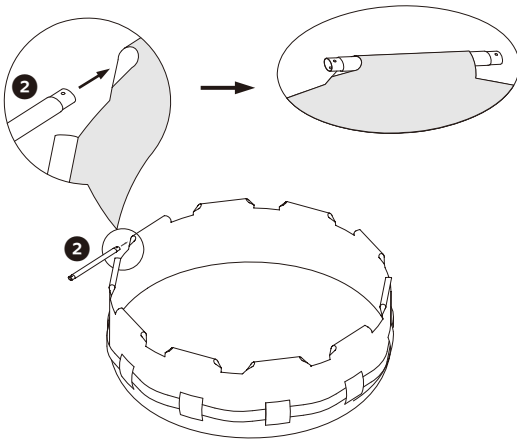
Setup Instructions

1. Locate a level and flat area to set up the pool. Make sure the ground is free from sharp objects as they may puncture the pool.
2. Carefully unfold the pool liner in the area selected and inspect the seams for manufacturing defects.
3. It is recommended to let the pool sit out in direct sunlight for about 2 hours prior to installation. (see TIP above)
4. LIFT the pool liner across the ground. DO NOT drag the liner from one location to another location.
5. Locate the pool so that the pump opening is 10 to 21 feet away from the electrical outlet.
6. Put the Vertical Legs **3** into each Leg Cap **5**.
7. Lay down all parts on the ground as shown below.

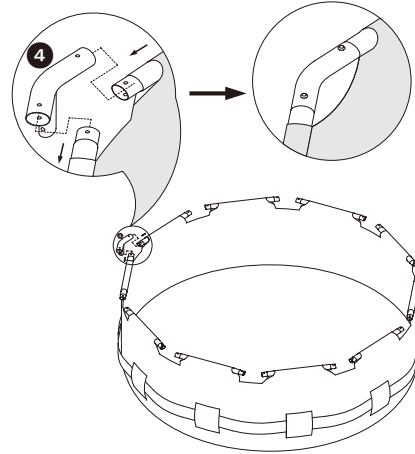


Should you encounter any problems, contact Customer Service at (888) 919-0070 from 8 AM to 5 PM Mon. thru Fri.
MST. Extended operating days and hours during peak season requirements.

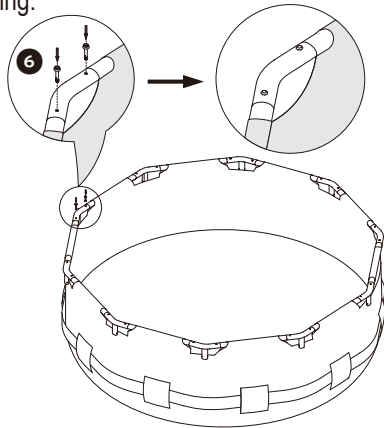
8. Carefully slide the Horizontal Beams **2** into the sleeves of the pool.



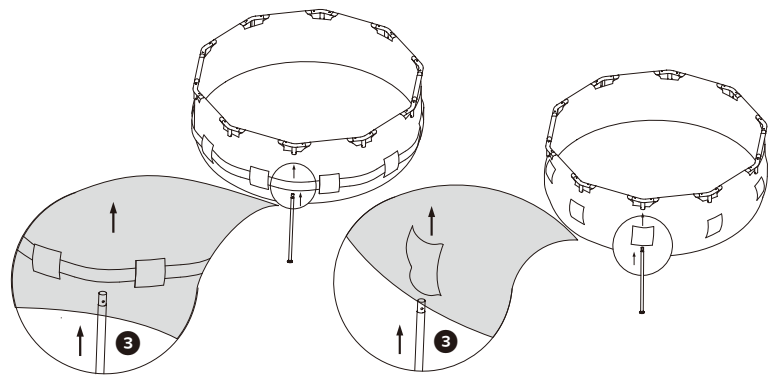
9. Connect all of the T-Fittings **4** to the Horizontal Beams **2**
IMPORTANT: DO NOT go on the next step until all of the T-Fittings have been connected to all of the Horizontal Beams.



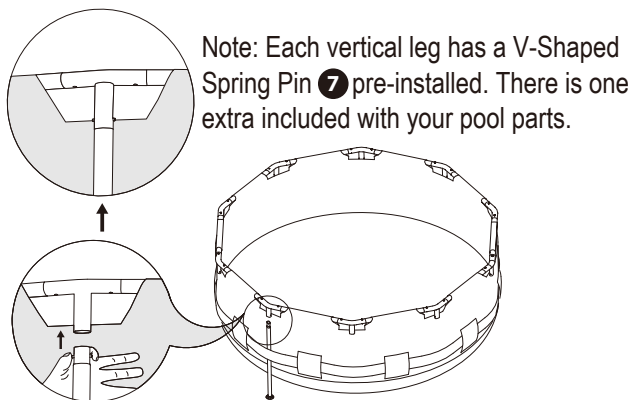
10. Insert the Pin **6** down through the top of the T-Fittings until the Pin snaps into place on the lower side of the T-fitting.



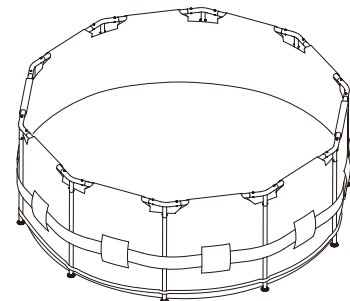
11. Carefully slide the Vertical Legs **3** up through the belt that runs around the middle of the pool.
 12. For smaller pools without a belt, slide the vertical legs up through the sleeves on the pool wall.



13. Look through the hole in the T-fitting, as you insert the Vertical Leg rotate it until the buttons align with the holes and pop out, locking the Vertical Leg in place. Do this for all Vertical Legs.



14. Go around and check that all fittings, legs, and beams are properly installed and secured in place. Make sure the drain fitting is plugged securely and the cap is in place.



IMPORTANT: BEFORE ADDING WATER TO YOUR POOL YOU MUST INSTALL THE POOL WALL FITTINGS AND SERVICE PLUGS OR THE ENTIRE FILTRATION SYSTEM FIRST. BEFORE ADDING WATER TO YOUR POOL SEE PAGE 11.

Should you encounter any problems, contact Customer Service at (888) 919-0070 from 8 AM to 5 PM Mon. thru Fri. MST. Extended operating days and hours during peak season requirements.

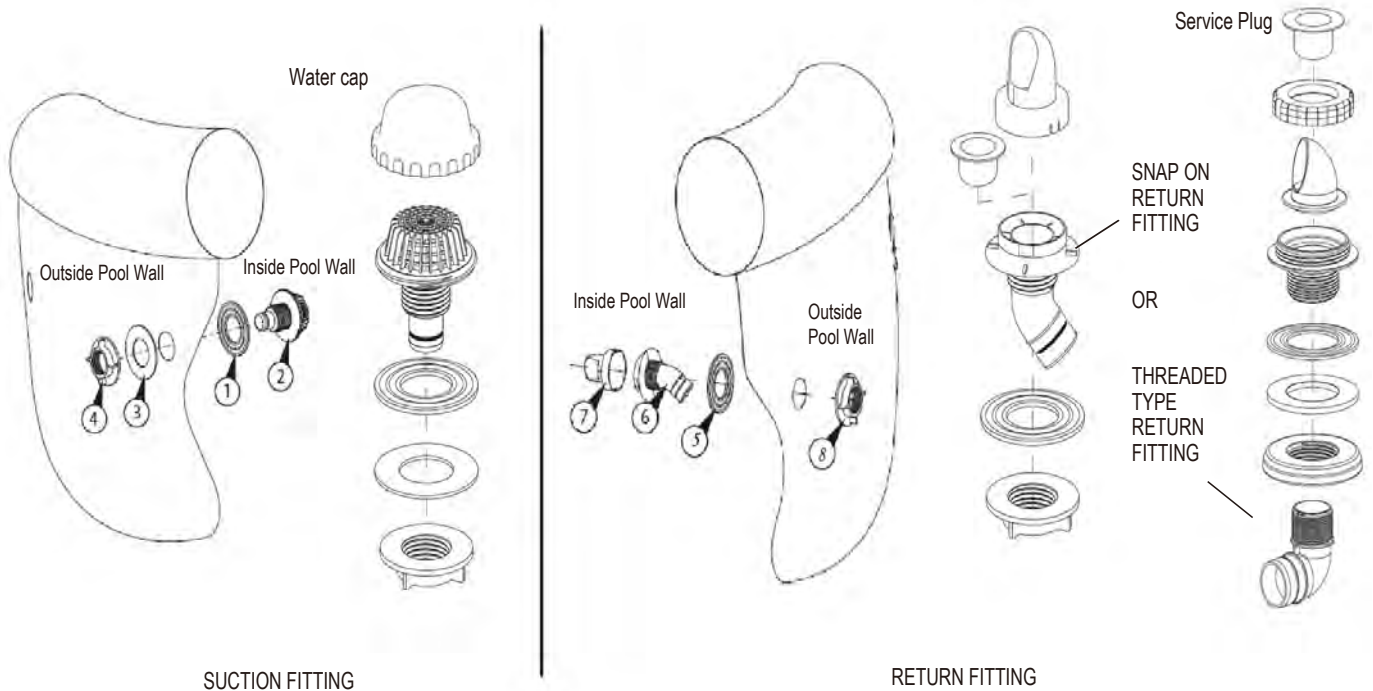
****IMPORTANT: FOR POOLS THAT DO NOT COME WITH A FILTRATION SYSTEM**

****IF YOUR POOL INCLUDED OPENINGS AND POOL WALL FITTINGS ONLY; YOU MUST INSTALL THOSE, THE WATER CAP AND THE SERVICE PLUG BEFORE PUTTING ANY WATER IN YOUR POOL. PLEASE FOLLOW THE DIRECTIONS BELOW.**

****If your pool included openings or if you are going to purchase a filter pump system, position the Suction & Return fitting locations so they are 10 to 21 feet from the electrical outlet you plan to use for the pool pump.**

****If your pool came with Fittings - Install both the Suction and Return fittings to the pool wall before filling the pool. Please Note: The Black Rubber gasket (#1 or #5) should always be slid over the threaded plastic suction or return fitting and be on the inside before the fitting is placed through the pool wall to make a watertight connection.**

Make sure to Put on both the Water cap and the Service Plug before filling your pool with water and leave them in place until you are ready to add a filtration system.



*****IMPORTANT: FOR POOLS THAT INCLUDE A COMPLETE FILTRATION SYSTEM**

*****IF YOUR POOL INCLUDES A COMPLETE FILTRATION SYSTEM WE RECOMMEND THAT YOU COMPLETELY INSTALL THE ENTIRE FILTRATION SYSTEM FIRST BEFORE PUTTING ANY WATER IN YOUR POOL TO AVOID WATER LOSS.**

*****FOLLOW THE "SETUP INSTRUCTIONS" IN THE FILTER PUMP SYSTEM OWNER'S MANUAL TO INSTALL THE FILTRATION SYSTEM AND THE POOL WALL FITTING(S) BEFORE PUTTING ANY WATER IN YOUR POOL.**

15. Make sure the liner drain fitting is plugged securely and the cap is in place. Then start filling the pool with water until about 1-inch of water is on the bottom.

AFTER ABOUT 1-INCH OF WATER IS ON THE BOTTOM, STOP FILLING THE POOL AND COMPLETELY SMOOTH OUT ALL OF THE WRINKLES FROM THE BOTTOM OF THE POOL, WORKING FROM THE CENTER OUTWARD. BE SURE THE FLOOR OF THE POOL IS COMPLETELY ROUND AND FLAT AND THAT THE LEGS ARE COMPLETELY STRAIGHT AND VERTICAL TO THE GROUND. **IMPORTANT: IF MORE THAN 1-2 INCHES OF WATER COLLECTS ON ANY ONE SIDE BEFORE THE POOL STARTS FILLING IN THE CENTER, THE POOL IS NOT LEVEL ENOUGH, AND MUST BE CORRECTED.**

ADDITIONAL NOTE: THE WEIGHT OF THE WATER WILL PREVENT ADJUSTMENT AFTER THIS POINT.

NOT FOLLOWING THE STEPS ABOVE WILL MAKE THE POOL FILL UNEVENLY AND THE POOL MAY LEAN TO ONE SIDE AND COLLAPSE (SEE EXAMPLE ON PAGE 12 PICTURE #8). YOUR POOL SHOULD BE STRAIGHT AND VERTICAL TO THE GROUND. IF YOUR POOL IS LEANING AT ALL; THE GROUND MAY NOT BE LEVEL AND YOU WILL NEED TO START OVER.

• FAILURE TO FOLLOW THE INSTRUCTIONS ABOVE WILL CAUSE POOL TO COLLAPSE AND WILL VOID THE WARRANTY!

Should you encounter any problems, contact Customer Service at (888) 919-0070 from 8 AM to 5 PM Mon. thru Fri. MST. Extended operating days and hours during peak season requirements.

POOL MAINTENANCE & DRAINING



CAUTION: ALWAYS FOLLOW THE CHEMICAL MANUFACTURER'S DIRECTIONS, AND THE HEALTH AND HAZARD WARNINGS.

Do not add chemicals if the pool is occupied. This can cause skin or eye irritation. Concentrated chlorine solutions can damage the pool liner.

In no event is Polygroup®, our buyer/retailers, or any other party liable for costs associated with the loss of pool water, chemicals, or water damage.

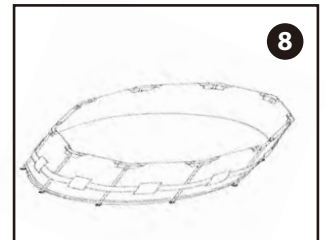
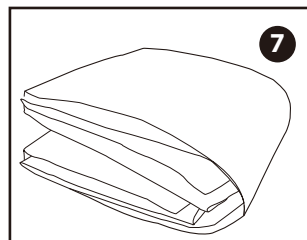
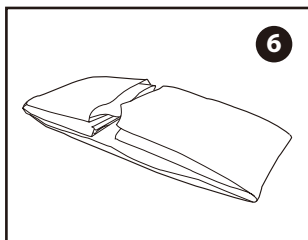
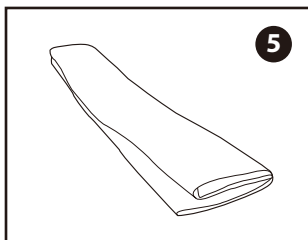
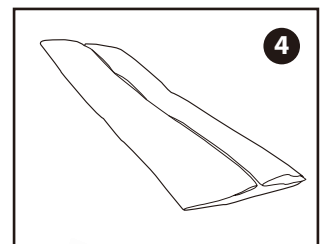
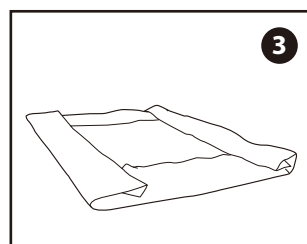
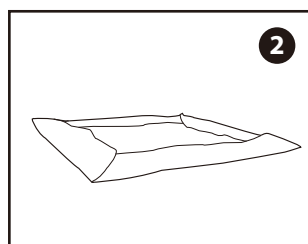
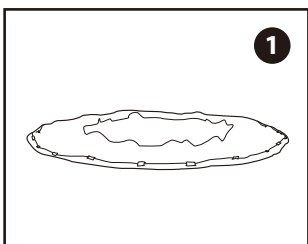
Keep spare filter cartridges on hand. Replace cartridges every two weeks. We recommend the use of a Polygroup® Filter Pump with all of our above-ground-pools.

To purchase a Polygroup® Filter Pump or other accessories, visit our website at polygroupstore.com or call Polygroup® Consumer Services 1-888-919-0070..

EXCESSIVE RAIN: To avoid damage to the pool and over filling, immediately drain rain water that causes the water level to be higher than the maximum.

How to Drain Your Pool and Long Term Storage

1. Check local regulations for specific directions regarding disposal of swimming pool water.
2. Make sure the drain plug inside the pool is plugged in place.
3. Twist off the cap of the drain valve on the outside of the pool.
4. Attach a 5/8" garden hose to the drain valve.
5. Place the other end of the garden hose in an area where the water can be safely drained away from the house and other nearby structures.
6. Unplug the inner drain cap to start draining the pool.
7. When the water stops draining, start lifting the pool from the side opposite the drain, leading any remaining water to the drain and emptying the pool completely.
8. Replace drain cap on outside of pool.
9. Be sure that the pool and all parts are completely dry before storage. Air dry the liner in the sun until completely dry before folding (see drawing ①). Sprinkle some talcum powder to prevent the vinyl from sticking together and to absorb any residual moisture.
10. Create a square shape. Starting at one side, fold one-sixth of liner into itself twice. Do the same on the opposite side (see drawings ② & ③).
11. Once you have created two opposing folded sides, simply fold one over the other like closing a book (see drawings ④ & ⑤).
12. Fold the two long ends to the middle (see drawing ⑥).
13. Fold one over the other like closing a book, and finally compact the liner (see drawing ⑦).
14. Store the liner and accessories in a dry, temperature controlled storage location, between 32 degrees Fahrenheit (0 degrees Celsius) and 104 degrees Fahrenheit (40 degrees Celsius).
15. The original packing can be used for storage.



POOL STORAGE & WINTERIZING

Winterizing Your Above Ground Pool

This above ground pool cannot be winterized and must be drained, disassembled, and properly stored if you live in an area where the temperature drops below 32 degrees Fahrenheit (0 degrees Celsius). If you are in a warmer environment please follow the instructions below:

After usage, you can easily empty and store away your pool in a safe place. (See long term storage above) Some pool owners, in warmer climates however, may choose to leave their pool up all year round. In cold areas, where freezing temperatures occur, there can be a risk of ice damage to your pool.

Clean the Pool Water Thoroughly

1. Clean the pool water thoroughly.
2. Remove the skimmer (if applicable) or any accessories attached to the threaded strainer connector. Replace strainer grid if necessary. Be sure all accessories parts are clean and completely dry before storage.
3. Plug the Inlet and Outlet fitting from the inside of the pool (if applicable).
4. Remove the ladder (if applicable) and store in a safe place. Be sure the ladder is completely dry before storage.
5. Remove the hoses that connect the pump and filter to the pool.
6. Add the appropriate chemicals for the winter period. Consult your local pool dealer as to which chemicals you should use and how to use them. This can vary greatly by region.
7. Cover pool with a Polygroup® Pool Cover. IMPORTANT NOTE: A Polygroup® POOL COVER IS NOT A SAFETY COVER.
8. Clean and drain the pump, filter housing, and hoses. Remove and discard the old filter cartridge. Keep a spare cartridge for the next season.
9. Bring pump and filter parts indoors and store in a safe and dry area, preferably between 32 degrees Fahrenheit (0 degrees Celsius) and 104 degrees Fahrenheit (40 degrees Celsius).

POOL SAFETY SIGN

POST THIS WARNING NEAR YOUR POOL

 **WARNING**

NO DIVING OR JUMPING SHALLOW WATER

DIVING MAY RESULT IN PERMANENT INJURY OR DEATH



• Be Safe. Swim with a friend.

- Children must be accompanied by an adult.
- Don't swim when using alcohol or drugs.
- Be familiar with the pool before swimming.



• No running, jumping, or horseplay in or around pool.

• No glass in pool area.

TO AVOID SERIOUS INJURY ALL POOL USERS MUST KNOW AND FOLLOW THESE SAFETY RULES.

Should you encounter any problems, contact Customer Service at (888) 919-0070 from 8 AM to 5 PM Mon. thru Fri. MST. Extended operating days and hours during peak season requirements.

POOL COVER SAFETY

IF YOU ARE GOING TO USE A POOL COVER, SOLAR COVER, OR SOLAR BLANKET, PLEASE READ THIS INFORMATION.

POOL COVER WARNING SOLAR COVER WARNING

WARNING

AVOID DROWNING RISK

STAY OFF THE COVER - IT WILL NOT SUPPORT WEIGHT.
KEEP CHILDREN AWAY. CHILDREN OR OBJECTS CAN NOT BE SEEN UNDER COVER.
REMOVE STANDING WATER - CHILD CAN DROWN ON TOP OF COVER.
REMOVE COVER COMPLETELY BEFORE ENTRY OF BATHERS - ENTRAPMENT POSSIBLE.
NON-SECURED OR IMPROPERLY SECURED COVERS ARE A HAZARD.
FAILURE TO FOLLOW ALL INSTRUCTIONS MAY RESULT IN INJURY OR DROWNING.
THIS IS NOT A SAFETY COVER.
TYPE OC COVER CLASSIFICATION.
INSTALL COVER WITH LABELS FACING UP.
USE DRAWSTRING TO SECURE COVER TO POOL. THIS COVER MEETS REQUIREMENTS DESCRIBED IN SPECIFICATION F-1346 (ASTM).

SOLAR BLANKET WARNING

WARNING

AVOID DROWNING RISK

STAY OFF BLANKET - IT WILL NOT SUPPORT WEIGHT.
KEEP CHILDREN AWAY. CHILDREN OR OBJECTS CAN NOT BE SEEN UNDER BLANKET.
REMOVE STANDING WATER - CHILD CAN DROWN ON TOP OF BLANKET.
REMOVE BLANKET COMPLETELY BEFORE ENTRY OF BATHERS - ENTRAPMENT POSSIBLE.
NON-SECURED OR IMPROPERLY SECURED BLANKETS ARE A HAZARD.
FAILURE TO FOLLOW ALL INSTRUCTIONS MAY RESULT IN INJURY OR DROWNING.
THIS IS NOT A SAFETY COVER.
TYPE OC COVER CLASSIFICATION.
INSTALL BLANKET COVER WITH LABELS FACING UP.
USE DRAWSTRING TO SECURE COVER TO POOL. THIS COVER MEETS REQUIREMENTS DESCRIBED IN SPECIFICATION F-1346 (ASTM).

VERY IMPORTANT

DO NOT USE A POOL COVER, SOLAR COVER, OR SOLAR BLANKET ON THIS POOL IF IT DOES NOT HAVE THIS TYPE OF WARNING LABEL ON THE COVER.

DANGER:

Competent supervision and knowledge of the safety requirements are the only ways to prevent drowning or permanent injury in the use of this product!
Never leave young children unattended.

SUMMER WAVES® PISCINA CON ESTRUCTURA METÁLICA

PARA PISCINAS SOBRE SUELO
Modelos 8'-24' (2,44 m - 7,32 m)



LEA ESTAS INSTRUCCIONES Y CONSÉRVELAS PARA FUTURAS CONSULTAS

Para dudas sobre la instalación o resolución de problemas, visite
support.polygroupstore.com Servicio de atención al cliente: (888) 919-0070

NO DEVUELVA EL PRODUCTO A LA TIENDA

Para pedir piezas y accesorios,
visite www.polygroupstore.com

Si le surge algún problema con su producto Polygroup®, no devuelva el producto al establecimiento de compra. Las reclamaciones de garantía deben realizarse directamente a Polygroup®. Antes de ponerse en contacto con el servicio de atención al cliente, revise la guía de resolución de problemas, en el manual de instalación, o consulte las FAQ O revise los videos con las instrucciones en support.polygroupstore.com Si continúa sin poder resolver el problema, póngase en contacto con el servicio de atención al cliente de Polygroup® en el (888)919-0070. **Tenga preparado el tipo de producto, el número de modelo y el comprobante de compra listo.. Nuestro representante del servicio de atención al cliente le ayudará a resolver el problema.** Puede ser necesario que nos envíe parte del producto o el producto en su totalidad para inspección y/o reparación. No devuelva ningún producto a Polygroup® sin un número de autorización de devolución

GARANTÍA LIMITADA

Polygroup® Limited (empresa comercial extraterritorial de Macao, en adelante, "Polygroup®"), garantiza la piscina con estructura metálica, solamente al comprador original, frente a defectos de material y mano de obra durante **90 días a partir de la fecha de compra.** **El comprador original debe conservar el justificante de compra en forma de recibo de venta original de la tienda, que deberá presentar si así se lo solicita Polygroup® o sus agentes delegados. Las reclamaciones de garantía no pueden procesarse sin un comprobante de compra válido.** Esta garantía limitada solo se aplica al comprador original del producto y se limita a la reparación o sustitución del producto, a discreción de Polygroup®. **Los daños consiguientes, incluyendo reclamaciones por pérdidas de agua, químicos para piscinas, daños mano de obra están cubiertos por esta garantía limitada.**

Esta garantía no se considerará válida en caso de modificación o reparación del producto por parte del comprador o de personas no autorizadas, uso de piezas o accesorios no originales de Polygroup® en el producto, uso del producto contraviniendo las instrucciones del fabricante, uso de voltaje inadecuado, cualquier tipo de abuso del producto o en caso de accidente o negligencia. Esta garantía no cubre el desgaste normal, así como los casos de fuerza mayor fuera del control de Polygroup®. Polygroup® no se hace responsable de las hierbas que pueden crecer a través del paño de tierra y / o el revestimiento de la piscina, ya que esto no es un defecto de fabricación.

EN NINGÚN CASO SERÁN RESPONSABLES Polygroup®, SUS AGENTES AUTORIZADOS, ENTIDADES ASOCIADAS O EMPLEADOS ANTE EL COMPRADOR O TERCEROS POR DAÑOS DIRECTOS O CONSIGUIENTES. Algunos estados o países, u otras jurisdicciones, no permiten la exclusión o limitación de daños accidentales o consiguientes, en cuyo caso no se aplicarán las anteriores limitaciones o exclusiones.

ÍNDICE

Advertencias	3 ~ 7
Lista de piezas.....	8
Instrucciones de montaje	9 ~ 11
Mantenimiento y vaciado de la piscina	12
Almacenamiento y acondicionamiento de la piscina durante el invierno	12
Señal de seguridad de la piscina	13
Cubierta para piscina.....	14

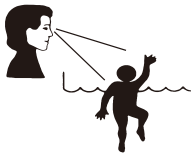
INSTRUCCIONES IMPORTANTES DE SEGURIDAD

Al instalar y usar este equipo electrónico, deben seguirse siempre ciertas instrucciones básicas de seguridad, incluidas las siguientes:

LEA Y SIGA TODAS LAS MEDIDAS DE SEGURIDAD E INSTRUCCIONES DE ENSAMBLAJE DE SU MANUAL DE USUARIO.

Consérvelas para futuras consultas. El incumplimiento de estas advertencias e instrucciones puede provocar lesiones graves o la muerte de los usuarios, especialmente los niños.

⚠ ADVERTENCIA



⚠ PELIGRO

¡EVITE AHOGAMIENTOS!
VIGILE DE CERCA A LOS NIÑOS CUANDO ESTÉN EN LA PISCINA O EN SUS ALREDEDORES. EN EL CASO DE NIÑOS MENORES DE 5 AÑOS, EL RIESGO DE AHOGAMIENTO ES MAYOR. VACÍE LA ALBERCA O PREVENGA EL ACCESO A ELLA CUANDO NO SE ENCUENTRE EN USO.

NO DIVING!
AGUA POCO PROFUNDA
¡PROHIBIDO ZAMBULLIRSE DE CLAVADO! RIESGO DE FRACTURA DEL CUELLO Y PARÁLISIS.

⚠ ADVERTENCIA

NO SE SIENTE NI SE TUMBE SOBRE LA PARED DE LA PISCINA
PUEDE SUFRIR LESIONES PERMANENTES

EVITE QUEDAR ATRAPADO!
ALÉJESE DE LOS ACCESORIOS DE DRENAJE O SUCCIÓN. EL PELO, EL CUERPO Y LAS ALHAJAS PUEDEN SER SUCCIONADOS POR EL SISTEMA DE DRENAJE. CORRIENDO RIESGO DE QUEDAR ATRAPADO BAJO EL AGUA Y AHOGARSE. NO USE LA PISCINA SI LA TAPA DEL DRENAJE O DE LA BOCA DE SUCCIÓN DE SALIDA ESTÁ ROTA O FALTANDO.



- Instale la piscina sobre una superficie NIVELADA, ESTABLE y COMPACTA.
 - NO instale la piscina sobre arena.
 - NO use arena para nivelar el suelo.
 - La arena podría eliminarse debido a la lluvia, haciendo que la piscina SE DEFORME y SE HUNDA. El incumplimiento de estas instrucciones puede resultar en LESIONES PERSONALES.
 - El exceso de arena dentro de la piscina DAÑARÁ el revestimiento de la piscina y el sistema de filtración.
- El incumplimiento de estas instrucciones supondrá la anulación de la garantía.**

AVISO: LOS CLIENTES QUE ADQUIERAN PISCINAS PODRÍAN ESTAR OBLIGADOS POR LA LEGISLACIÓN ESTATAL O LOCAL A INCURRIR EN GASTOS ADICIONALES AL INSTALAR UNA PISCINA PARA CUMPLIR CON LAS LEYES ESTATALES O LOCALES RELATIVAS AL VALLADO Y OTROS REQUISITOS DE SEGURIDAD. LOS CLIENTES DEBEN PONERSE EN CONTACTO CON LAS AUTORIDADES LOCALES CORRESPONDIENTES PARA MÁS INFORMACIÓN. POLYGROUP NO ES RESPONSABLE POR GASTOS ADICIONALES QUE PUEDAN OCURRIR.

Precauciones de seguridad para los niños

Riesgo de ahogamiento:

1. Asigne a un adulto para que se haga responsable de observar a los niños en la piscina. Proporcione a esta persona una etiqueta de «vigilante de piscina» y pídale que la lleve puesta todo el tiempo cuando esté a cargo de supervisar a los niños en la piscina. Si necesita irse por alguna razón, pídale a esta persona que delegue la responsabilidad de la supervisión a otro adulto y le pase la etiqueta de «vigilante de piscina». Para reemplazar la etiqueta de vigilante de la piscina, visite www.polygroupstore.com
2. La piscina presenta un peligro de ahogo incluso cuando se está llenando o vaciando. Mantenga una supervisión constante de los niños y no quite ninguna barrera de seguridad hasta que la piscina esté completamente vacía y guardada.
3. Los niños, especialmente los menores de 5 años, tienen un alto riesgo de ahogarse. Los ahogamientos suceden de manera silenciosa y rápida, pudiendo suceder en tan poco como 5 cm de agua.
4. Mantenga a los niños dentro de su campo de visión, permanezca cerca y vigílelos activamente cuando estén cerca o dentro de la piscina y cuando esté llenando y vaciando la piscina.
5. Al buscar un niño perdido, compruebe primero la piscina, incluso aunque piense que el niño está en casa.
6. No deje juguetes dentro de la piscina al terminar de usarla, ya que los juguetes y objetos similares podrían atraer a los niños a la piscina. Coloque los muebles (por ejemplo, mesas o sillas) lejos de la piscina para que los niños no puedan subirse a ellos para acceder a la piscina. Después de usar la piscina, deje el nivel de agua en 1 cm o menos.
7. Sitúe las bombas y filtros de manera que los niños no puedan subirse a ellos para acceder a la piscina.

Vallas para piscina

Muy importante:

1. Las vallas para piscina, que restringen el acceso a la piscina a los niños pequeños, pueden ser un requisito legal. Las vallas son necesarias para proporcionar protección contra un posible ahogamiento o casi ahogamiento. Las vallas no sustituyen la vigilancia constante de los niños. Consulte las normas y códigos estatales y locales antes de instalar la piscina.
2. Evite que los niños accedan a la piscina sin vigilancia instalando una valla u otra barrera aprobada alrededor de la piscina. Las leyes o códigos estatales o locales pueden exigir una valla u otras barreras aprobadas. Consulte las normas y códigos estatales y locales antes de instalar la piscina.
3. Vea la última edición publicada de CPSC Pub. El n.º 362 puede encontrarse en www.poolsafely.gov.

Equipamiento de la piscina

1. El uso de iluminación artificial para piscinas depende del dueño de la piscina. Una vez instalada, la iluminación debe cumplir el art. 680 del Código Eléctrico Nacional (NEC) o la última edición aprobada y debe contar con el asesoramiento de un profesional autorizado.
2. Mantenga los cables eléctricos, radios, altavoces y otros aparatos eléctricos lejos de la piscina.
3. No coloque la piscina cerca o debajo de cables eléctricos.
4. Todos los componentes instalados en y/o adyacentes a una piscina sobre tierra residencial deben instalarse en conformidad con los requisitos de la última edición publicada del NFPA 70, Código Eléctrico Nacional (NEC®), art. 680, Piscinas, fuentes e instalaciones similares, así como con cualquier código estatal o local.

Conocimiento de la piscina

Advertencia:

1. MONTAJE POR UN ADULTO: Tenga cuidado al desembalar y montar la piscina; esta piscina puede contener bordes o puntas afiladas potencialmente peligrosos que son parte necesaria para el funcionamiento de la piscina.
2. No instale la piscina en pendientes o superficies inclinadas, en suelos blandos o poco compactos (Por ejemplo, arena o barro), ni en superficies elevadas como terrazas, plataformas o balcones, que puedan colapsar bajo el peso de la piscina llena.
3. PARA EVITAR EL PELIGRO DE ASFIXIA: Mantenga la bolsa de plástico usada con este producto alejada de bebés y niños; no use la bolsa en cunas, camas, carritos o parques para bebés. La bolsa de plástico podría bloquear la nariz y la boca e impedir la respiración. La bolsa de plástico no es un juguete.
4. No use la piscina en caso de que falte o esté rota alguna tapa de las salidas de succión o drenaje. La succión puede provocar que quede atrapada alguna parte del cuerpo, que se enreden el cabello o las joyas o ahogamiento. Repare o cambie las tapas de las salidas de succión o drenaje antes de utilizar la piscina.
5. Durante el uso nocturno de la piscina, utilice iluminación artificial para iluminar todas las señales de seguridad, escaleras, escalones, cubiertas y caminos.
6. El fondo de la piscina debe ser visible en todo momento desde el perímetro exterior de la piscina.
7. Mantenga la piscina limpia. La parte más profunda de la piscina debe ser visible en todo momento desde la valla exterior de la piscina.
8. Coloque una lista de números de teléfono de emergencia, como la comisaría, bomberos, ambulancias y/o unidades de rescate más cercanas. Estos números deben mantenerse cerca del teléfono más cercano a la piscina.
9. Tenga siempre a mano un equipo básico de salvamento, que incluya uno de los siguientes:
 - Una vara rígida, resistente y ligera (un cayado) con una longitud no inferior a 366 cm.
 - Una cuerda de al menos 6,35 mm de diámetro con una longitud igual a la mitad de la anchura máxima de la piscina o 15,24 m, la que sea inferior, que esté firmemente sujeta a un flotador de salvamento aprobado con un diámetro exterior de aproximadamente 38,1 cm, o un dispositivo de flotación aprobado similar.
10. La piscina puede sufrir desgaste y deterioro. Si no se realiza el mantenimiento adecuado, ciertos tipos de deterioro excesivo o acelerado pueden provocar fallos en la estructura de la piscina que podrían liberar grandes cantidades de agua, causando así daños corporales y en la propiedad.
11. No permita juegos bruscos, inmersiones ni saltos dentro o alrededor de la piscina. El incumplimiento de esta norma puede resultar en lesiones graves, parálisis o, incluso, la muerte. NO PERMITA que nadie nade solo, sin supervisión.
12. La piscina debe estar situada a una distancia mínima de 1,83 m de cualquier toma de corriente, y todas las tomas de 125 V 15-20 A situadas en un radio de 0,6 m de la piscina deben protegerse con un interruptor diferencial (GFCI), donde las distancias sean, por medida, la ruta más corta que seguiría el cable de alimentación de un aparato conectado al receptáculo, sin perforar cualquier piso, pared, techo, marco con puerta abisagrada o corredera, ventana o cualquier otra barrera permanente, hasta la pared interior de la piscina.

Sistemas de circulación

1. Los instaladores deberán seguir las instrucciones escritas relativas a la posición de todos los equipos conectados a los sistemas de circulación.
2. El instalador deberá seguir las instrucciones escritas suministradas para utilizar los componentes de los sistemas de circulación.
3. Todos los componentes las bombas del sistema de circulación que deban sustituirse o repararse deberán instalarse siguiendo el manual de instrucciones de la bomba.
4. El equipo de circulación deberá instalarse siguiendo las instrucciones del fabricante para proporcionarle un montaje y soporte adecuado, para evitar daños derivados de una mala alineación, asentamiento y vibración, y para minimizar la posibilidad de acumulación de residuos y humedad. Consulte el manual de instrucciones de la bomba.
5. La bomba de repuesto no debe exceder la tasa de flujo máximo marcada en el accesorio de succión.

Escalera

1. La escalera deberá colocarse sobre una base sólida e instalarse siguiendo las instrucciones del fabricante.
2. No debe haber más de una persona sobre la escalera simultáneamente.
3. Esta escalera está diseñada y fabricada para una altura específica de pared de piscina y/o plataforma de la piscina.
4. Para entrar/salir de la piscina, hágalo siempre de cara a la escalera.
5. Para evitar que alguien quede atrapado o se ahogue, no nade por, debajo o alrededor de la escalera.
6. Retire y sujete la escalera cuando la piscina esté vacía.

En caso de problemas, póngase en contacto con el servicio de atención al cliente en el (888) 919-0070, de L a V de 8h a 17h.

MST. Los horarios de atención se amplían durante temporada alta.

Cubierta de la piscina

Las cubiertas de piscina usadas para vallas de seguridad deben cumplir la última edición publicada de la ASTM F-1346, norma de especificaciones de rendimiento para las cubiertas de seguridad y requisitos de etiquetado para todas las cubiertas de piscinas, spas y jacuzzis.

Productos químicos

Por motivos de seguridad, asegúrese de que la parte más profunda de la piscina siempre esté visible. El usuario debe mantener siempre apropiadamente limpia el agua de la piscina. Compruebe los niveles de pH y cloro periódicamente y asegúrese de que están dentro de los límites recomendados. De vez en cuando, podrían ser necesarios productos químicos adicionales para tratar el agua. Lleve a analizar una muestra de agua a la tienda local de suministros de piscina para determinar si necesita más productos químicos. Haga funcionar la bomba durante al menos 6 horas cada día; visite la página www.zendesk.com para informarse de los tiempos de funcionamiento recomendados por la bomba. Limpie y cambie el cartucho de la bomba del filtro con frecuencia. Reemplazar solo con un cartucho de filtro original de la marca Polygroup® / Summer Waves® Consulte el manual de la bomba del filtro para más información sobre el cuidado del agua.

Riesgo de quedar atrapado

1. Evite quedar atrapado: No debe haber salientes u otros obstáculos en la zona de baño que puedan causar que el usuario quede atrapado o enredado. No use la piscina en caso de que falte o esté rota alguna tapa de las salidas de succión. La succión puede provocar que quede atrapada alguna parte del cuerpo, que se enreden el cabello o las joyas o ahogamiento. Repare o sustituya la tapa de la salida de succión antes de dejar que se use la piscina.
2. ¡PELIGRO! PARA EVITAR LESIONES GRAVES O LA MUERTE, CIERRE LA PISCINA O SPA A LOS BAÑISTAS EN CASO DE QUE FALTE O ESTÉ ROTA Y/O INOPERATIVA ALGUNA REJILLA/TAPA DE LAS SALIDAS DE SUCCIÓN.
3. No juegue ni nade cerca de las válvulas de succión o drenaje. Podrían quedar atrapados su cabello o su cuerpo, causándole lesiones permanentes o ahogamiento.
4. No entre a la piscina o spa en caso de que alguna válvula de succión o tapa de drenaje esté suelta, rota o falte.
5. En caso de encontrar una tapa de drenaje suelta, rota o notar que falta, notifíquese inmediatamente al operador o propietario de la piscina/spa.

Riesgo de ahogamiento.

1. Evite que los niños accedan a la piscina sin vigilancia instalando una valla u otra barrera aprobada alrededor de la piscina. Las leyes los códigos estatales o locales pueden exigir una valla u otras barreras aprobadas. Consulte las normas los códigos estatales y locales antes de instalar la piscina.
2. Retire las escaleras de la piscina antes de dejar la piscina. Se han dado casos de niños de 2 años que han subido escaleras, cayéndose a piscinas y ahogándose.
3. Los juguetes, sillas, mesas y objetos similares a los que un niño podría subirse deben tener una altura mínima de 1,2 m respecto a la piscina. El sistema del filtro de la bomba debe colocarse de manera que no pueda ser usado por los niños pequeños como medio de acceso a la piscina.

Riesgo de las inmersiones

1. Las piscinas domésticas sobre suelo son solo para nada y caminar. No deben añadirse trampolines, toboganes u otro equipamiento a las piscinas sobre suelo que pueda indicar, de algún modo, que la piscina sobre suelo puede usarse o está diseñada para sumergirse o deslizarse hasta ella.
2. No se sumerja en esta piscina. Sumergirse en aguas poco profundas puede resultar en una rotura de cuello, parálisis o, incluso, la muerte.

Riesgo de electrocución

1. Mantenga los cables eléctricos, radios, altavoces y otros aparatos eléctricos lejos de la piscina.
2. No coloque la piscina cerca o debajo de cables eléctricos.

Primeros auxilios

1. Tenga siempre un teléfono en funcionamiento y una lista de número de emergencia cerca de la piscina.
2. Aprenda la técnica de la resucitación cardiopulmonar (CPR). En caso de emergencia, realizar inmediatamente la CPR puede salvar una vida.

Advertencia especial

1. Los códigos de construcción locales pueden exigir la obtención de un permiso de construcción o instalación eléctrica. El instalador debe seguir las normativas sobre retranqueo, barreras, dispositivos y otros requisitos.
2. Las señales de seguridad deben cumplir los requisitos de la ANSI-Z535 y usar señalización de advertencia.
3. NO intente montar la piscina en condiciones climatológicas adversas, en caso de viento o cuando la temperatura sea inferior a 15,5 °C.
4. Esta piscina es almacenable, por lo que debería desmontarse y guardarse cuando se esperen temperaturas por debajo de 0 °C.
5. El instalador debe asegurarse de que todas las piscinas los componentes instalados en interiores cumplan los requisitos de ventilación de la ANSI/ASHREAR 62 o la última edición publicada de Ventilación para una calidad aceptable del aire en interiores, Tabla 2, art. 2.1.
6. La colocación de la piscina y de las piscinas portátiles debe realizarse de modo que cumpla los códigos locales de construcción y seguridad.
7. ¡ADVERTENCIA! La vigilancia responsable y el conocimiento de los requisitos de seguridad son el único modo de evitar ahogamientos o lesiones permanentes en el uso de este producto. No deje nunca desatendidos a los niños.

Mantenimiento de la piscina

1. Vacíe completamente la piscina después de cada uso y guarde la piscina vacía de modo que no pueda acumular agua de lluvia o de cualquier otra fuente.
2. Después de usar la piscina, deje el nivel de agua en 1 cm (1 cm) o menos.

Advertencia de seguridad adicional

1. Enseñe a nadar a sus hijos.
2. No se sumerja, salte ni se deslice dentro de la piscina.
3. Siempre es necesaria la supervisión de un adulto.

4. Los padres deben aprender a realizar la CPR.
5. No nade nunca solo.
6. Mantenga cables eléctricos, receptores de radio, altavoces y otros aparatos eléctricos a una distancia prudente de la piscina.
7. Cuando toque el filtro, la bomba o las piezas eléctricas, asegúrese de que el suelo que pisa esté totalmente seco.
8. Conecte los cables de alimentación a una toma de corriente con conexión a tierra.
9. Mantenga todos los objetos que se puedan romper fuera de la zona de la piscina.
10. El consumo de alcohol no es compatible con las actividades de piscina. No deje que nadie nade, bucee o se deslice bajo la influencia del alcohol o las drogas.
11. Existe riesgo de descarga eléctrica si instala la bomba o el filtro en una plataforma. La bomba o el filtro podrían caer al agua, provocando descargas graves o electrocución.
12. No instalar sobre una plataforma.
13. No use la piscina durante condiciones climatológicas adversas, es decir, tormentas, tornados, etc.
14. Al aspirar la piscina o usar el mango telescópico, tenga en cuenta los cables eléctricos que pueda haber sobre usted.
15. No permita que nadie se sumerja, salte, se siente o permanezca de pie sobre los rieles superiores de las piscinas.
16. No permita los juegos bruscos.
17. No realice actividades bajo el agua manteniendo la respiración durante mucho tiempo; podría perder el conocimiento y ahogarse.
18. Instale una escalera de piscina para entrar y salir de la piscina.
19. Compruebe regularmente si existen signos de desgaste o pernos sueltos que puedan comprometer la seguridad de la piscina.
20. Instruya a los usuarios de la piscina sobre el uso adecuado de las escaleras de piscina.
21. Suba y baje de cara a la piscina.
22. No debe haber más de una persona sobre la escalera simultáneamente.
23. Retire o bloquee el acceso a la escalera para evitar que nadie pueda meterse en la piscina mientras no está vigilada.
24. Compruebe todas las tuercas y pernos regularmente para asegurarse de que la escalera se mantiene sólida.
25. Póngase en contacto con el distribuidor o fabricante de la piscina para obtener más señales de seguridad si lo considera necesario.
26. Acuda a un técnico de piscinas profesional para el servicio de mantenimiento de la piscina. Para más información de seguridad, consulte www.APSP.org.

Folleto de sensibilización del consumidor y fuente de información

CONTACTO: U.S. Consumer Product Safety Commission at www.CPSC.gov/cpsc/pub/pubs/pool/pdf, Pub. #362 "Safety Barrier Guidelines for Home Pools."

1. La manera sensata de disfrutar de su piscina sobre suelo.
2. Los niños no son a prueba de agua.
3. Capas de protección.
4. Procedimientos de emergencia en piscinas y spas para bebés y niños.
5. Existen copias gratuitas de los folletos anteriores sobre seguridad del APSP. Vaya a: www.APSP.org.

Existen programas educativos y materiales sobre los programas educativos (es decir, seminarios, talleres, folletos, videos, guías) del APSP, otros grupos de seguridad acuática y empresas privadas. Con el objetivo de comunicar información de seguridad útil a los dueños/operadores y usuarios de piscinas, está permitido que los miembros de la industria suministren esta información a los dueños/operadores y que soliciten o exijan a los dueños/operadores una declaración firmada de que han recibido, leído y seguirán las instrucciones.

Otras fuentes de información de seguridad:

- www.cdc.gov
- www.cpsc.gov
- www.drowningpreventionalliance.com
- www.nspf.org
- www.safekids.org

ANSI American National Standards Institute 25
West 43rd Street, New York NY 10036
Contacto: 212-642-4900
www.ansi.org

APSP Association of Pool & Spa Professionals
(formerly National Spa and Pool Institute)
2111 Eisenhower Avenue, Alexandria VA 22314
Contacto: 703-838-0083
www.apsp.org

NSPI National Spa and Pool Institute (see APSP)

UL Underwriters Laboratories
333 Pfingsten Road, Northbrook IL 60062-2096
Contacto: 847-272-8800
www.ul.com

NSF NSF International
P.O. Box 130140
789 N. Dixboro Road
Ann Arbor MI 48105
Contacto: 800-673-6275 or 734-769-8010
www.nsf.org

ASTM ASTM International (formerly American Society of Testing & Materials)
100 Barr Harbor Drive, P.O. BOX C700
West Conshohocken, PA 19428-2959
Contacto: 877-909-2786 (USA & Canada) or 610-832-9585 (International)
www.astm.org

NEC National Electrical Code (see NFPA)
NFPA National Fire Protection Association
1 Batterymarch Park, Quincy MA 02169-7471
Contacto: 800-344-3555 (U.S. & Canada) or 617-770-3000 (International)
www.nfpa.org

ASME American Society of Mechanical Engineers
Two Park Avenue, New York NY 10016-5990
Contacto: 800-843-2763 (U.S. & Canada) 973-882-1170 (outside North America)
www.asme.org

En caso de problemas, póngase en contacto con el servicio de atención al cliente en el (888) 919-0070, de L a V de 8h a 17h.

MST. Los horarios de atención se amplían durante temporada alta.

Sistemas de filtración

Hay que colocar cualquier equipo conectado a los sistemas de ventilación de manera que los niños no lo puedan usar como medio de acceso a la piscina. (Véase la última edición publicada del Código sobre dispositivos de seguridad ANSI/APSP-8 para piscinas, spas y bañeras de hidromasaje de uso residencial).

Barrera

Las barreras son necesarias para ofrecer protección ante posibles ahogamientos y casi ahogamientos, y no son un sustituto de la supervisión constante de los niños. (Véase la última edición publicada del Código sobre dispositivos de seguridad ANSI/APSP-8 para piscinas, spas y bañeras de hidromasaje de uso residencial).

Riesgo de accidentes de ahogamiento, atrapamiento y buceo

Hay publicaciones disponibles que describen el riesgo de accidentes de ahogamiento, atrapamiento y buceo. Las publicaciones relacionadas con la seguridad de la piscina disponibles incluyen folletos de la Asociación de profesionales de piscina y spa (APSP) titulados: The Sensible Way to Enjoy Your Aboveground/ Onground Swimming Pool [La forma sensata de disfrutar de su piscina desmontable y fija], Children Aren't Waterproof [Los niños no son a prueba de agua], Pool and Spa Emergency Procedures for Infants and Children [Procedimientos de emergencia en piscinas y spas para bebés y niños], Layers of Protection [Capas de protección], y la última edición publicada del Código sobre dispositivos de seguridad ANSI/APSP-8 para piscinas, spas y bañeras de hidromasaje de uso residencial.

Responsabilidades del instalador

La instalación de todos estos componentes debe realizarse de manera que los niños no lo puedan usar como medio de acceso a la piscina.

Toda la señalización de seguridad deberá ubicarse a una altura superior al nivel de agua máximo que pueda contener la piscina agua encima de la línea de agua y de manera conforme a las instrucciones del fabricante.

(Véase la última edición publicada del Código sobre dispositivos de seguridad ANSI/APSP-8 para piscinas, spas y bañeras de hidromasaje de uso residencial).tt

LISTA DE PIEZAS

Piscina de estructura metálica	1		2		3		4		5		6		7		
	Lona de la piscina		Tubo horizontal		Pata vertical		Pieza en T		Capuchón de pata		Perno y arandela (se incluyen otros 2)		*Perno adicional en forma de V previamente instalado (se incluye otro)		
Tamaño de la piscina	Nº Pieza		Cant.	Nº Pieza	Cant.	Nº Pieza	Cant.	Nº Pieza	Cant.	Nº Pieza	Cant.	Nº Pieza	Cant.	Nº Pieza	Cant.
08'x30"	P20008301099	P20008303099	x1	P5A1A0001W01	x8	P5A2A0001W01	x8	P5A3A0000W01	x8	P5APF1450K01	x8	P5A149144W02	x18	P5APF121BW01	x9
10'x30"	P20010301099	P20010303099	x1	P5A1A0001W01	x10	P5A2A0001W01	x10	P5A3A0001W01	x10	P5APF1450K01	x10	P5A149144W02	x22	P5APF121BW01	x11
10'x42"	P20010421099	P20010423099	x1	P5A1A0001W01	x10	P5A2A0014W01	x10	P5A3A0001W01	x10	P5APF1450K01	x10	P5A149144W02	x22	P5APF121BW01	x11
11'x30"	P20011301099	P20011303099	x1	P5A1A0001W01	x11	P5A2A0001W01	x11	P5A3A0002W01	x11	P5APF1450K01	x11	P5A149144W02	x24	P5APF121BW01	x12
12'x30"	P20012301099	P20012303099	x1	P5A1A0001W01	x12	P5A2A0001W01	x12	P5A3A0003W01	x12	P5APF1450K01	x12	P5A149144W02	x26	P5APF121BW01	x13
12'x30"	P20012305099	-	x1	P5A1A0001G02	x12	P5A2A0001G02	x12	P5A3A0003G02	x12	P5APF1450G8U	x12	P5A149144G8U	x26	P5APF121BG8U	x13
12'x33"	P20012331099	P20012333099	x1	P5A1A0001W01	x12	P5A2A0012W01	x12	P5A3A0003W01	x12	P5APF1450K01	x12	P5A149144W02	x26	P5APF121BW01	x13
12'x36"	P20012361099	P20012363099	x1	P5A1A0001W01	x12	P5A2A0002W01	x12	P5A3A0003W01	x12	P5APF1450K01	x12	P5A149144W02	x26	P5APF121BW01	x13
12'x39"	P20012391099	P20012393099	x1	P5A1A0001W01	x12	P5A2A0003W01	x12	P5A3A0003W01	x12	P5APF1450K01	x12	P5A149144W02	x26	P5APF121BW01	x13
12'x48"	P20012481099	P20012483099	x1	P5A1A0002W01	x12	P5A2A0008W01	x12	P5A3A0004W01	x12	P5APF1450K01	x12	P5A149144W02	x26	P5APF121BW01	x13
12'x52"	P20012521099	P20012523099	x1	P5A1A0002W01	x12	P5A2A0009W01	x12	P5A3A0004W01	x12	P5APF1450K01	x12	P5A149144W02	x26	P5APF121BW01	x13
13'x30"	P20013301099	P20013303099	x1	P5A1A0001W01	x13	P5A2A0001W01	x13	P5A3A0001W01	x13	P5APF1450K01	x13	P5A149144W02	x28	P5APF121BW01	x14
13'x33"	P20013331099	P20013333099	x1	P5A1A0001W01	x13	P5A2A0010W01	x13	P5A3A0001W01	x13	P5APF1450K01	x13	P5A149144W02	x28	P5APF121BW01	x14
13'x39"	P20013391099	P20013393099	x1	P5A1A0001W01	x13	P5A2A0003W01	x13	P5A3A0001W01	x13	P5APF1450K01	x13	P5A149144W02	x28	P5APF121BW01	x14
13'x52"	P20013521099	P20013523099	x1	P5A1A0002W01	x13	P5A2A0006W01	x13	P5A3A0004W01	x13	P5APF0490K01	x13	P5A120144W01	x28	P5APF121AW01	x14
14'x36"	P20014361099	P20014363099	x1	P5A1A0002W01	x14	P5A2A0004W01	x14	P5A3A0004W01	x14	P5APF0490K01	x14	P5A120144W01	x30	P5APF121AW01	x15
14'x42"	P20014421099	P20014423099	x1	P5A1A0002W01	x14	P5A2A0005W01	x14	P5A3A0004W01	x14	P5APF0490K01	x14	P5A120144W01	x30	P5APF121AW01	x15
14'x52"	P20014521099	P20014523099	x1	P5A1A0002W01	x14	P5A2A0006W01	x14	P5A3A0004W01	x14	P5APF0490K01	x14	P5A120144W01	x30	P5APF121AW01	x15
15'x33"	P20015331099	P20015333099	x1	P5A1A0002W01	x15	P5A2A0016W01	x15	P5A3A0005W01	x15	P5APF0490K01	x15	P5A120144W01	x32	P5APF121AW01	x16
15'x42"	P20015421099	P20015423099	x1	P5A1A0002W01	x15	P5A2A0005W01	x15	P5A3A0005W01	x15	P5APF0490K01	x15	P5A120144W01	x32	P5APF121AW01	x16
15'x46"	P20015461099	P20015463099	x1	P5A1A0002W01	x15	P5A2A0011W01	x15	P5A3A0005W01	x15	P5APF0490K01	x15	P5A120144W01	x32	P5APF121AW01	x16
15'x48"	P20015481099	P20015483099	x1	P5A1A0002W01	x15	P5A2A0008W01	x15	P5A3A0005W01	x15	P5APF0490K01	x15	P5A120144W01	x32	P5APF121AW01	x16
15'x52"	P20015521099	P20015523099	x1	P5A1A0002W01	x15	P5A2A0009W01	x15	P5A3A0005W01	x15	P5APF0490K01	x15	P5A120144W01	x32	P5APF121AW01	x16
16'x42"	P20016421099	P20016423099	x1	P5A1A0002W01	x16	P5A2A0007W01	x16	P5A3A0006W01	x16	P5APF0490K01	x16	P5A120144W01	x34	P5APF121AW01	x17
16'x48"	P20016481099	P20016483099	x1	P5A1A0002W01	x16	P5A2A0008W01	x16	P5A3A0006W01	x16	P5APF0490K01	x16	P5A120144W01	x34	P5APF121AW01	x17
16'x52"	P20016521099	P20016523099	x1	P5A1A0002W01	x16	P5A2A0009W01	x16	P5A3A0006W01	x16	P5APF0490K01	x16	P5A120144W01	x34	P5APF121AW01	x17
17'x48"	P20017481099	P20017483099	x1	P5A1A0002W01	x17	P5A2A0008W01	x17	P5A3A0007W01	x17	P5APF0490K01	x17	P5A120144W01	x36	P5APF121AW01	x18
17'x52"	P20017521099	P20017523099	x1	P5A1A0002W01	x17	P5A2A0009W01	x17	P5A3A0007W01	x17	P5APF0490K01	x17	P5A120144W01	x36	P5APF121AW01	x18
18'x42"	P20018421099	P20018423099	x1	P5A1A0002W01	x18	P5A2A0007W01	x18	P5A3A0008W01	x18	P5APF0490K01	x18	P5A120144W01	x38	P5APF121AW01	x19
18'x48"	P20018481099	P20018483099	x1	P5A1A0002W01	x18	P5A2A0008W01	x18	P5A3A0008W01	x18	P5APF0490K01	x18	P5A120144W01	x38	P5APF121AW01	x19
18'x52"	P20018521099	P20018523099	x1	P5A1A0002W01	x18	P5A2A0009W01	x18	P5A3A0008W01	x18	P5APF0490K01	x18	P5A120144W01	x38	P5APF121AW01	x19
20'x48"	P20020481099	P20020483099	x1	P5A1A0002W01	x20	P5A2A0008W01	x20	P5A3A0009W01	x20	P5APF0490K01	x20	P5A120144W01	x42	P5APF121AW01	x21
24'x48"	P20024481099	P20024483099	x1	P5A1A0002W01	x24	P5A2A0008W01	x24	P5A3A0010W02	x24	P5APF0490K01	x24	P5A120144W01	x50	P5APF121AW01	x25
24'x52"	P20024521099	P20024520099	x1	P5A1A0002W01	x24	P5A2A0009W01	x24	P5A3A0010W02	x24	P5APF0490K01	x24	P5A120144W01	x50t	P5APF121AW01	x25

En caso de problemas, póngase en contacto con el servicio de atención al cliente en el (888) 919-0070, de L a V de 8h a 17h.
EST. Los horarios de atención se amplían durante temporada alta.

INSTRUCCIONES DE MONTAJE

Antes de montar el producto, dedique unos minutos a comprobar el contenido y familiarícese con todas las piezas.

! **AVISO** - NO llene en exceso la piscina y/o permita que las personas se tiendan en la pared de la piscina o se sienten sobre la misma ya que puede causar un daño permanente. Vacíe la piscina hasta el nivel adecuado después de una lluvia torrencial

CONSEJO: La instalación de la piscina se realiza más fácilmente si la despliega y la deja al sol durante 2 horas antes de instalarla. Esto contribuirá a garantizar una forma sin pliegues ya que el material de la piscina estará más flexible y podrá darle forma durante la instalación.

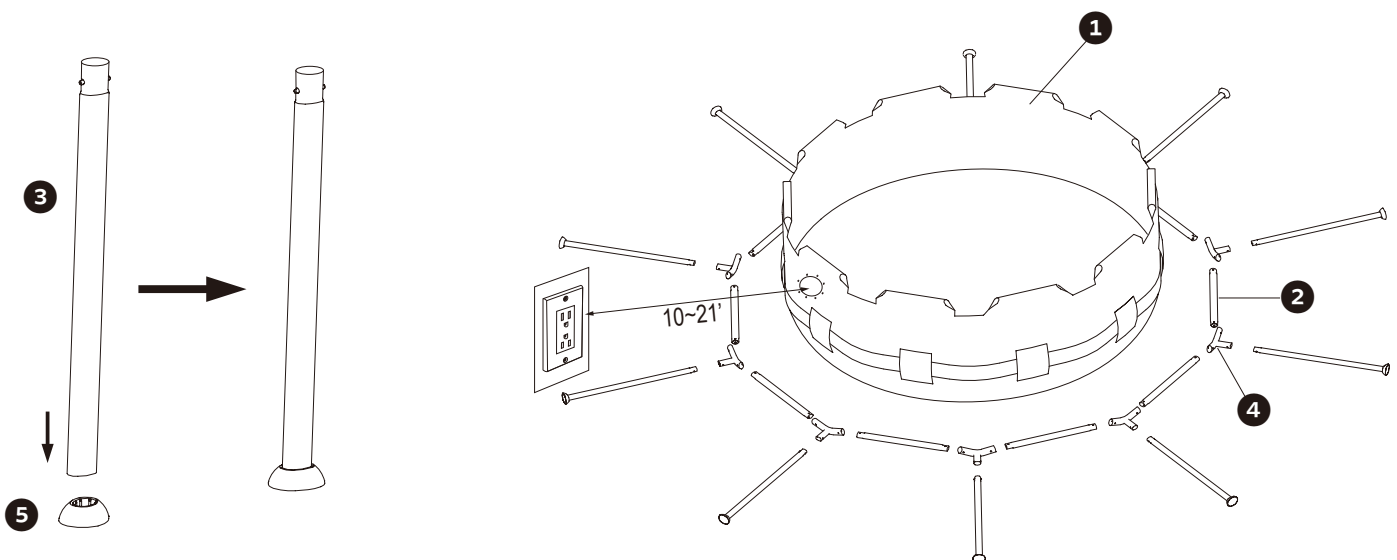
AVISO - ¡MUY IMPORTANTE! LA PISCINA DEBE ARMARSE EN TIERRA NIVELADA, FIRME Y COMPACTA.

- El montaje de la piscina debe realizarse sobre tierra, firme y llano que no tenga piedras, gravilla, palos, alquitrán, ni ningún otro componente de petróleo. No instale la piscina en plataformas o superficies de madera. No puede usar arena o suelo sin compactar como suelo liso para esta piscina; solo se desgastará.
- Antes de configurar su piscina, se recomienda limpiar el área de hierbas resistentes. Ciertos tipos de pastos vigorosos tales como St. Augustine y Bermuda pueden crecer a través del trazador de líneas. Un paño de tierra o lona puede ser útil para evitar que esto ocurra. La hierba que crece a través del forro no está cubierta por la garantía.
- El no seguir las instrucciones de abajo da lugar al deterioro de la piscina e invalidará la garantía.

1. Seleccione una zona lisa y elimine completamente todos los desechos, las ramas, las piedras, etc. No elija una zona que esté situada debajo de líneas eléctricas elevadas, árboles o a 15 pies (3,9 metros) de una casa, un edificio, etc.
2. La piscina debe colocarse a una distancia mínima de 6 pies (1,83 metros) de cualquier receptáculo eléctrico.
3. Todos los receptáculos de 125 v, 15 y 20 amperios que estén situados a 20 pies (6 metros) de la piscina deben estar protegidos por un interruptor del circuito de fallos de conexión a tierra. La distancia de 20 pies (6 metros) se mide con la distancia más corta en línea recta que daría el cable de suministro sin perforar ningún piso, pared, techo, puerta, ventana u otra barrera permanente.
4. Póngase en contacto con su empresa local de electricidad, compruebe que no existen cables por debajo del suelo, ni líneas telefónicas, líneas de gas, etc. que estén situadas debajo de la zona que usted ha elegido.

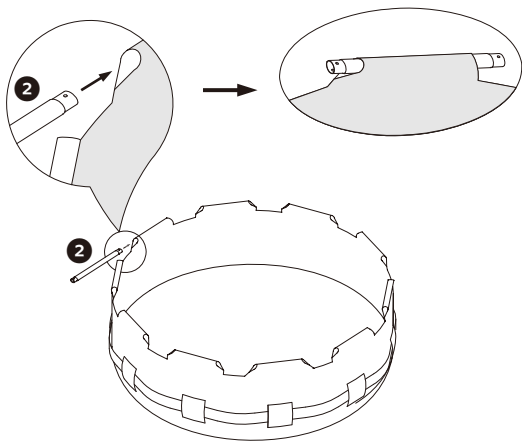
Instrucciones de instalación

1. Busque una zona plana y lisa para el montaje de la piscina. Asegúrese de que el suelo no tenga objetos afilados ya que pueden perforar la piscina.
2. LEVANTE la lona de la piscina por el suelo. NO arrastre la lona de un sitio a otro.
3. Sitúe la piscina de manera que el orificio de la bomba esté de 10 a 21 pies (3 a 6,4 metros) de distancia de la toma de corriente.
4. Inserte la pata vertical **3** en el tapón de pata **5**.
5. Extienda todas las partes en el suelo como se muestra a continuación.

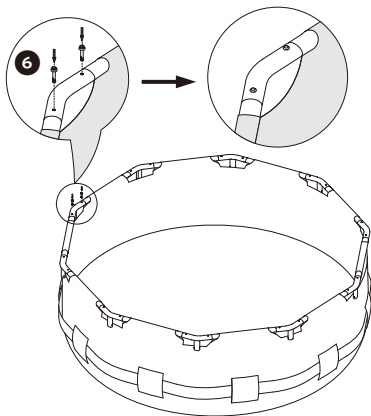


En caso de problemas, póngase en contacto con el servicio de atención al cliente en el (888) 919-0070, de L a V de 8h a 17h. EST. Los horarios de atención se amplían durante temporada alta.

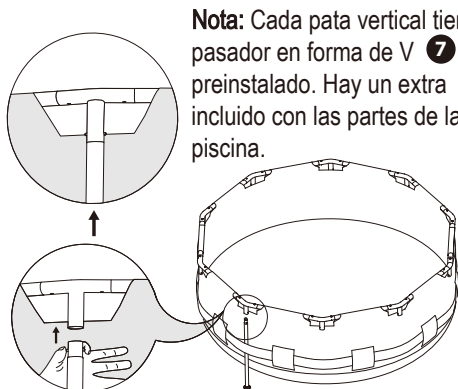
6. Deslice con cuidado las barras horizontales **2** en las mangas de la piscina.



8. Inserte el perno **6** con la parte superior de las piezas en T hasta que encaje en la parte inferior del perno.

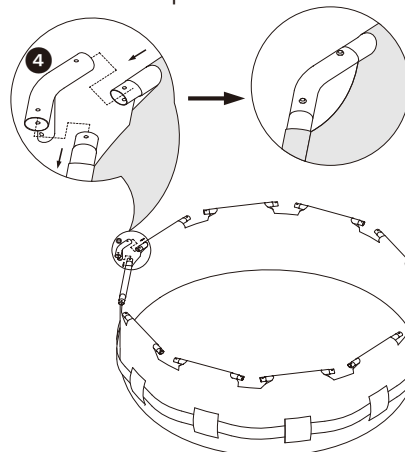


10. Observe el orificio de la pieza a medida que lo inserte y gire el tubo hasta que los botones se alineen con los orificios, salten y coloquen la pierna en su posición.

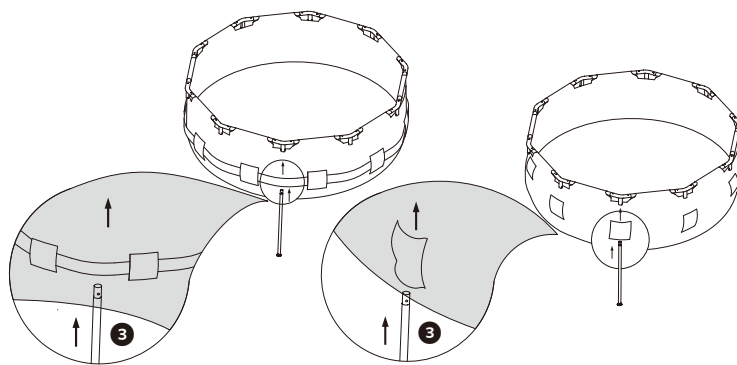


Nota: Cada pata vertical tiene un pasador en forma de V **7** preinstalado. Hay un extra incluido con las partes de la piscina.

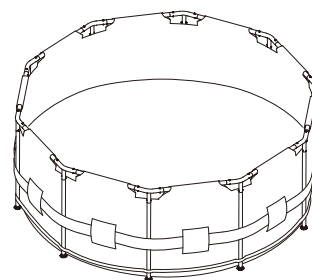
7. Conecte todas la pieza en T **4** con las barras horizontal **2**.
IMPORTANTE: NO contiúe al prximo paso hasta que haya connoectado todas las piezas en T.



9. Deslice con cuidado la pata vertical **3** por la cinta que pasa por el medio de la piscina.
• En el caso de las piscinas más pequeñas que no tengan esa cinta, deslice la pata vertical por los mangas de la pared de la piscina.



11. Rodee la piscina para comprobar la instalación correcta y el bloqueo seguro de todas las piezas, patas y barras. Asegúrese de que el accesorio de drenaje esté conectado y de que el capuchón esté puesto.



IMPORTANTE: ANTES DE LLENAR SU PISCINA CON AGUA POR FAVOR INSTALE EL ACCESORIO DE RETORNO Y DE SUCCIÓN A LA PARED DE LA PISCINA O INSTALE COMPLETAMENTE SU SISTEMA DE FILTRACIÓN.
ANTES DE AGREGAR AGUA EN SU PISCINA, VEA PÁGINA 11.

****IMPORTANTE: PARA PISCINAS QUE NO VENGAN CON UN SISTEMA DE FILTRACIÓN**

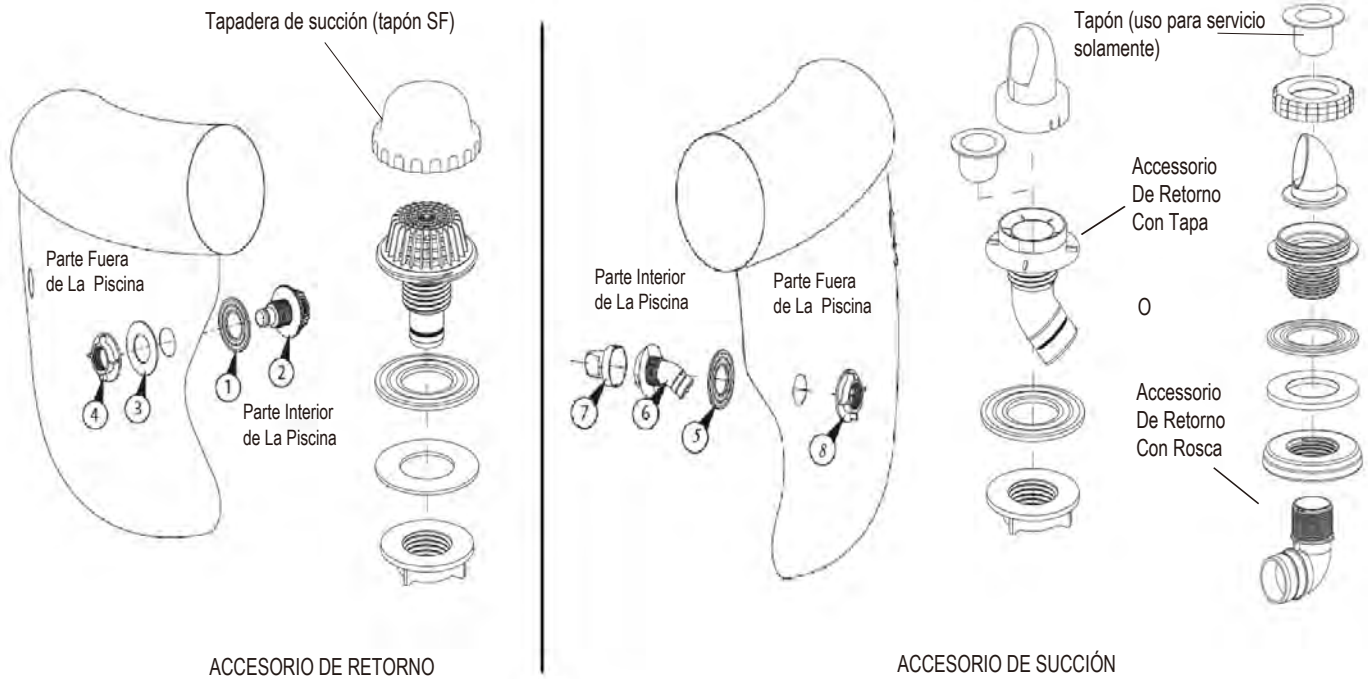
****SI SU PISCINA INCLUYE APERTURAS Y ACCESORIOS DE PARED DE PISCINA SOLAMENTE; USTED DEBE INSTALAR ESTOS, EL TAPÓN DE AGUA Y EL TAPÓN DE SERVICIO ANTES DE PONER ALGÚN AGUA EN SU PISCINA. POR FAVOR SIGA LAS INSTRUCCIONES DEBAJO.**

****Si su piscina incluye aberturas o si va a comprar un sistema de bomba de filtro, coloque las conexiones de succión y retorno de manera que estén a 10 a 21 pies del enchufe eléctrico que planea utilizar para la bomba de la piscina.**

****Si su piscina vino con accesorios- Instale el accesorio de Retorno y de Succión a la pared de la piscina antes de llenarla.**

Por favor Note: El empaque negro (#1 o #5) debe siempre estar sobre la rosca de Retorno o de Succión antes que el accesorio este puesto en la pared de la piscina para prevenir la fuga del agua.

Asegúrese de colocar la tapa de agua y el tapón de servicio antes de llenar la piscina con agua y déjelos en su lugar hasta que esté listo para agregar un sistema de filtración.



***** IMPORTANTE: PARA PISCINAS QUE INCLUYEN UN SISTEMA COMPLETO DE FILTRACIÓN**

***** SI SU PISCINA INCLUYE UN SISTEMA DE FILTRACIÓN COMPLETO RECOMENDAMOS QUE COMPLETAMENTE INSTALE EL SISTEMA DE FILTRACIÓN INTEGRAL ANTES DE PONER AGUA EN SU PISCINA.**

***** SIGA LAS "INSTRUCCIONES DE MONTAJE" EN EL MANUAL DEL PROPIETARIO DEL SISTEMA DE BOMBA DE FILTRO PARA INSTALAR EL SISTEMA DE FILTRO Y LOS ACCESORIOS DE LA PARED DE LA PISCINA ANTES DE VACIAR AGUA EN SU PISCINA.**

12. Asegúrese de que el accesorio de drenaje del revestimiento esté bien cerrado y que la tapa esté en su lugar. Luego comience a llenar la piscina con agua hasta que aproximadamente 1 pulgada de agua esté en el fondo.

DESPUÉS QUE UNA PULGADA DE AGUA ESTÁ EN LA PARTE INTERIOR DE LA PISCINA, PARE DE LLENARLA Y COMPLETAMENTE LICE TODAS LAS ARRUGAS DE LA PARTE INTERIOR DE LA PISCINA, TRABAJANDO DESDE EL CENTRO HACIA FUERA.

ASEGÚRESE DE QUE EL PISO DE LA PISCINA ESTE COMPLETAMENTE RODADO Y PÁLIDO Y QUE LAS PATAS ESTEN TOTALMENTE RECTAS Y VERTICALES EN EL TERRENO. **IMPORTANTE: SI MÁS DE 1 A 2 PULGADAS DE AGUA SE ACUMULAN EN CUALQUIER LADO ANTES DE QUE LA PISCINA SE LLENE EN EL CENTRO, LA PISCINA NO ESTA NIVELADA Y DEBE SER CORREGIDA.**

NOTA ADICIONAL: EL PESO DEL AGUA PREVENIRÁ EL AJUSTE DESPUÉS DE ESTE PUNTO.

AL NO SEGUIR LOS PASOS DE ARRIBA HARÁ QUE LA PISCINA SE LLENE DE FORMA INCONDICIONAL Y LA PISCINA PUEDE RECARGARSE A UN LADO Y DERRUMBARSE (VEA EL EJEMPLO EN LA PÁGINA 12 IMAGEN # 8). SU PISCINA DEBE ESTAR DERECHA Y VERTICAL A LA TIERRA. SI SU PISCINA SE LLEGA A INCLINAR; EL SUELO PUEDE NO ESTAR NIVELADO Y USTED NECESITARÁ COMENZAR DE NUEVO.

¡EL NO SIGER LAS INSTRUCCIONES ANTERIORES CAUSARÁ QUE LA PISCINA SEDERRUMBE Y ANULARÁ LA GARANTÍA!

En caso de problemas, póngase en contacto con el servicio de atención al cliente en el (888) 919-0070, de L a V de 8h a 17h. MST. Los horarios de atención se amplían durante temporada alta.

MANTENIMIENTO Y VACIADO DE LA PISCINA

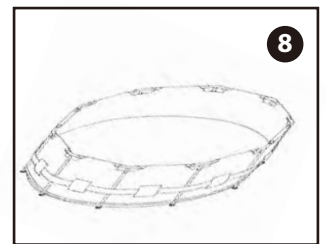
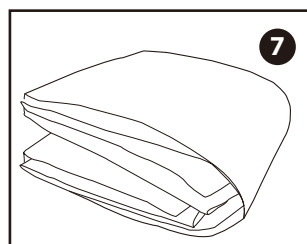
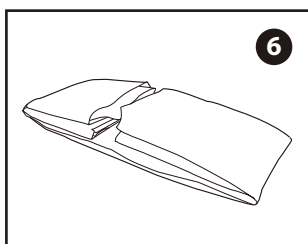
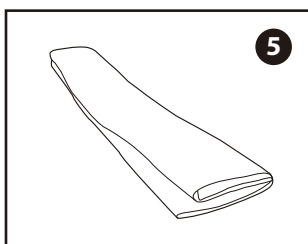
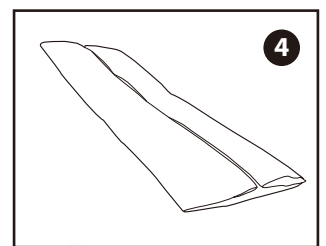
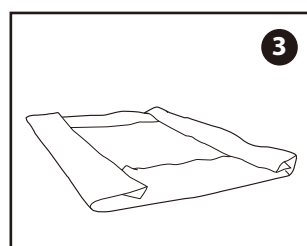
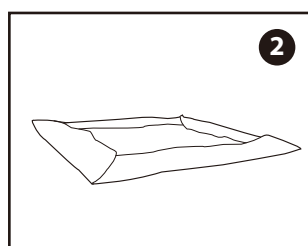
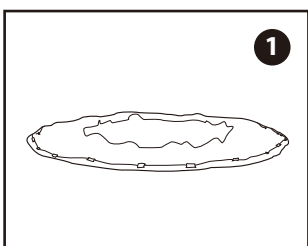
⚠ ATENCIÓN: SIGA SIEMPRE LAS INSTRUCCIONES DEL FABRICANTE EN CUANTO A PRODUCTOS QUÍMICOS Y LAS ADVERTENCIAS DE SALUD Y PELIGRO.

No añada productos químicos si hay personas en la piscina. Esto puede causar irritación de la piel y los ojos. Las soluciones de cloro concentrado pueden dañar la lona de la piscina. **En ninguna circunstancia se hace responsable Polygroup®, el comprador o cualquier otra parte de los gastos asociados con la pérdida de agua de la piscina así como de productos químicos o daños por agua.** Tenga a mano cartuchos de filtro de repuesto. Cambie los cartuchos cada dos semanas. Recomendamos el uso de la bomba de filtración de Polygroup® para todas nuestras piscinas desmontables. Para adquirir una bomba de filtración y otros accesorios de Polygroup®, puede visitar nuestra página web polygroupstore.com o llamar a la oficina de servicio al consumidor de Polygroup® 1-888-919-0070.

EXCESO DE LLUVIA: Para evitar daños en la piscina y el llenado excesivo, evacúe de inmediato el agua de lluvia que hace que el nivel del agua sea superior al máximo.

Cómo vaciar su piscina y proceder con el almacenamiento a largo plazo

1. Compruebe la normativa local para obtener información específica sobre la eliminación del agua de piscina.
2. Asegúrese de que el tapón de drenaje situado en el lado interior de la piscina está bien colocado en su sitio.
3. Afloje y retire el tapón de la válvula de drenaje situada en el exterior de la piscina.
4. Conecte una manguera de jardín de 5/8 de pulgada de sección a la válvula de drenaje.
5. Posicione el extremo contrario de la manguera en un lugar donde el agua pueda drenarse de forma segura y no fluya hacia viviendas u otras estructuras cercanas.
6. Retire el tapón de drenaje en el lado interior de la piscina para vaciar la a través de la válvula.
7. Cuando el agua deje de drenarse, empiece a levantar la piscina desde el lado opuesto al drenaje, haciendo que el agua restante se dirija hacia el drenaje y vaciando la piscina completamente.
8. Vuelva a colocar el tapón de drenaje de fuera de la piscina.
9. Desinfe completamente el anillo superior y retire todas las piezas de conexión. (si la tiene).
10. Asegúrese de que la piscina y todas las piezas están completamente secas antes de guardarla. Seque el revestimiento al aire libre y al sol hasta que esté completamente seco antes de doblarlo (véase el dibujo ①). Espolvoree un poco de polvos de talco para evitar que el vinilo se pegue y y para que pueda absorber la humedad que pueda haber quedado.
11. Dóblelo en forma de cuadrado. Empezando por un lado, pliegue 1/6 parte del revestimiento sobre sí misma dos veces. Haga lo mismo por el otro lado (véanse los dibujos ② y ③).
12. Cuando haya doblado los lados opuestos, simplemente doble uno por encima del otro mismo si cerrara un libro (véanse los dibujos ④ y ⑤).
13. Doble las dos puntas largas hacia la mitad (véase el dibujo ⑥).
14. Doble una sobre la otra como si cerrara un libro y, por último, comprima el revestimiento (véase el dibujo ⑦).
15. Guarde el revestimiento y los accesorios en un lugar seco con la temperatura controlada (entre 0 y 40 °C).
16. Puede utilizarse el embalaje original para guardar la piscina.



ALMACENAMIENTO Y ACONDICIONAMIENTO DE LA PISCINA DURANTE EL INVIERNO

Acondicionamiento de la piscina durante el invierno

Esta piscina por encima del suelo no se puede invernar y debe ser drenada, desmontada y almacenada apropiadamente si usted vive en un área donde la temperatura cae por debajo de 32 grados Fahrenheit (0 grados Celsius). Si se encuentra en un ambiente más cálido, siga las siguientes instrucciones:

Después de su uso, puede fácilmente vaciar y guardar su piscina en un lugar seguro. (Ver almacenamiento a largo plazo por encima de) Algunos propietarios de la piscina, en climas más cálidos por ejemplo, puede optar por dejar su piscina durante todo el año. En áreas frías, donde las temperaturas de congelación ocurren, puede haber un riesgo de daño de hielo a su piscina.

Limpiar el agua de la piscina a fondo

1. Limpie el agua de la piscina a fondo. Si la suya es una piscina Quick Set, asegúrese de que el anillo superior está correctamente inflado.
2. Retire el skimmer (si lo tiene) y cualquier accesorio conectado al conector del filtro roscado. Sustituya la rejilla del filtro si es necesario. Asegúrese de que todas las piezas de los accesorios están limpias y completamente secas antes de guardarlas.
3. Cierre los accesorios de entrada y salida en el interior de la piscina (si la tiene).
4. Retire la escalera (si la tiene) y guárdela en un lugar seguro. Asegúrese de que la escalera está completamente seca antes de guardarla.
5. Retire las mangueras y conecte la bomba y el filtro a la piscina.
6. Añada los productos químicos adecuados para el período de invierno. Consulte con su distribuidor de piscinas local qué productos químicos debe usar y cómo utilizarlos. Esto puede variar mucho en cada región.
7. Cubra la piscina con la cubierta para piscinas Polygroup® **IMPORTANTE: LA CUBIERTA DE PISCINA Polygroup® NO ES UNA CUBIERTA DE SEGURIDAD.**
8. Limpie y drene la bomba, la cubierta del filtro y las mangueras. Retire y tire a la basura el cartucho de filtro viejo. Guarde un cartucho de repuesto para la próxima estación.
9. Meta las piezas de la bomba y del filtro en el interior y guárdelas en un lugar seco y seguro, preferiblemente a una temperatura de entre 0 °C y 40 °C.

SEÑAL DE SEGURIDAD DE LA PISCINA

COLOQUE ESTA ADVERTENCIA CERCA DE SU PISCINA



ADVERTENCIA

PROHIBIDO BUCEAR Y SALTAR AGUA POCO PROFUNDA

EL BUCEO PUEDE PROVOCAR LESIONES PERMANENTES O LA MUERTE

- Precaución. Nade con un amigo.
- Los niños deben estar acompañados de un adulto.
- No nade mientras consume alcohol o drogas.
- Familiarícese con la piscina antes de nadar.
- No corra, salte ni haga juegos bruscos en la piscina o alrededor de ella.
- No utilice objetos de vidrio en la zona de la piscina.



PARA EVITAR LESIONES GRAVES TODOS LOS USUARIOS DE LA PISCINA DEBEN CONOCER Y RESPETAR ESTAS NORMAS DE SEGURIDAD.

CUBIERTA PARA PISCINA

SI VA A UTILIZAR UNA CUBIERTA PARA PISCINA, CUBIERTA SOLAR O UNA MANTA SOLAR, LEA ESTA INFORMACIÓN.

ADVERTENCIAS SOBRE LA CUBIERTA PARA PISCINAS

ADVERTENCIA SOBRE LA CUBIERTA SOLAR

ADVERTENCIA

EVITE EL RIESGO DE AHOGAMIENTO
PERMANEZCA FUERA DE LA CUBIERTA – NO SOPORTARÁ
EL PESO.

MANTENGA ALEJADOS A LOS NIÑOS. LOS NIÑOS Y LOS
OBJETOS NO SON VISIBLES BAJO LA CUBIERTA.

RETIRE EL AGUA ESTANCADA – LOS NIÑOS PUEDEN
AHOGARSE SOBRE LA CUBIERTA.

RETIRE TOTALMENTE LA CUBIERTA ANTES DE LA
ENTRADA DE LOS BAÑISTAS – POSIBILIDAD DE
QUEDAR ATRAPADOS.

LAS CUBIERTAS MAL ASEGURADAS O NO ASEGURADAS
SON UN PELIGRO.

EL INCUMPLIMIENTO DE ESTAS INSTRUCCIONES PUEDE
RESULTAR EN LESIONES O AHOGAMIENTO.

ESTA NO ES UNA CUBIERTA SEGURA.

CLASIFICACIÓN DE CUBIERTA TIPO OC.

INSTALE LA CUBIERTA CON LAS ETIQUETAS HACIA ARRIBA.

USE CORDONES PARA FIJAR LA CUBIERTA A LA PISCINA.

ESTA CUBIERTA CUMPLE LOS REQUISITOS DESCRITOS
EN LA ESPECIFICACIÓN F-1346 (ASTM).

ADVERTENCIA SOBRE LAS MANTAS SOLARES

ADVERTENCIA

EVITE EL RIESGO DE AHOGAMIENTO
PERMANEZCA FUERA DE LA CUBIERTA – NO SOPORTARÁ
EL PESO.

MANTENGA ALEJADOS A LOS NIÑOS. LOS NIÑOS Y LOS
OBJETOS NO SON VISIBLES BAJO LA CUBIERTA.

RETIRE EL AGUA ESTANCADA – LOS NIÑOS PUEDEN
AHOGARSE SOBRE LA CUBIERTA.

RETIRE TOTALMENTE LA CUBIERTA ANTES DE LA
ENTRADA DE LOS BAÑISTAS – POSIBILIDAD DE QUEDAR
ATRAPADOS.

LAS CUBIERTAS MAL ASEGURADAS O NO ASEGURADAS
SON UN PELIGRO.

EL INCUMPLIMIENTO DE ESTAS INSTRUCCIONES PUEDE
RESULTAR EN LESIONES O AHOGAMIENTO.

ESTA NO ES UNA CUBIERTA SEGURA.

CLASIFICACIÓN DE CUBIERTA TIPO OC.

INSTALE LA CUBIERTA CON LAS ETIQUETAS HACIA ARRIBA.

USE CORDONES PARA FIJAR LA CUBIERTA A LA PISCINA.

ESTA CUBIERTA CUMPLE LOS REQUISITOS DESCRITOS
EN LA ESPECIFICACIÓN F-1346 (ASTM).

MUY IMPORTANTE

NO USE CUBIERTAS PARA PISCINAS, CUBIERTAS SOLARES O MANTAS SOLARES EN ESTA PISCINA SI NO APARECE ESTE TIPO DE ETIQUETA DE ADVERTENCIA EN LA CUBIERTA.

PELIGRO:

La vigilancia responsable y el conocimiento de los requisitos de seguridad son el único modo de evitar ahogamientos o lesiones permanentes en el uso de este producto.

No deje nunca desatendidos a los niños.